



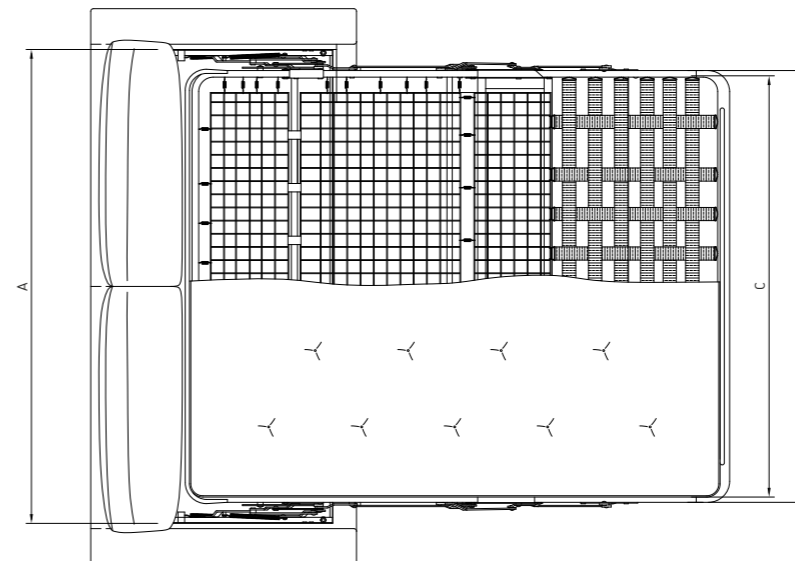
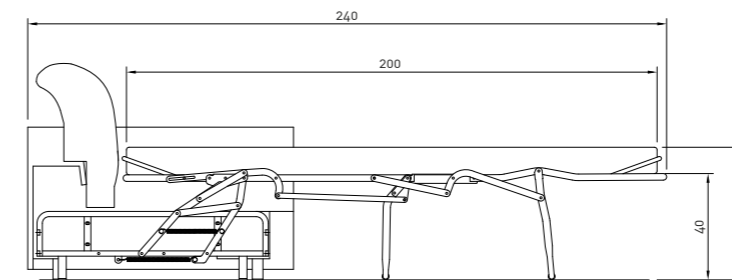
FLOYD SOFA BED

design Piero Lissoni

Sofa bed with poplar and laminated fir wood structure. Padding with differentiated density polyurethane foam, lining made of polyester fiber, with needle-treatment and resin-coated, coupled with a polyamide velveteen backing. Seat cushion padding in polyurethane foam, with lining made of polyester fiber, with needle-treatment and resin-coated, coupled with a polyamide velveteen backing. Backrest and armrest cushion padding filled with pre-washed and sterilized goose down, stitched into separate compartments, with insert in polyurethane foam. Black painted aluminum feet.

Fabric or leather upholstery, fully removable with zippers and Velcro fastenings. Welded mesh with an orthopedic bed base, high-strength steel frame, with epoxy polyester powder coating. Steel spring mattress, encased in 100% cotton. The mattress is always included. Seat depth: 68 cm.

Sofa Bed Section



A – Steel structure dimensions
142/162/182 cm
B – Slatted base frame dimensions
203×125/145/165 cm
C – Mattress dimensions
200×12×120/140/160 cm

Notes

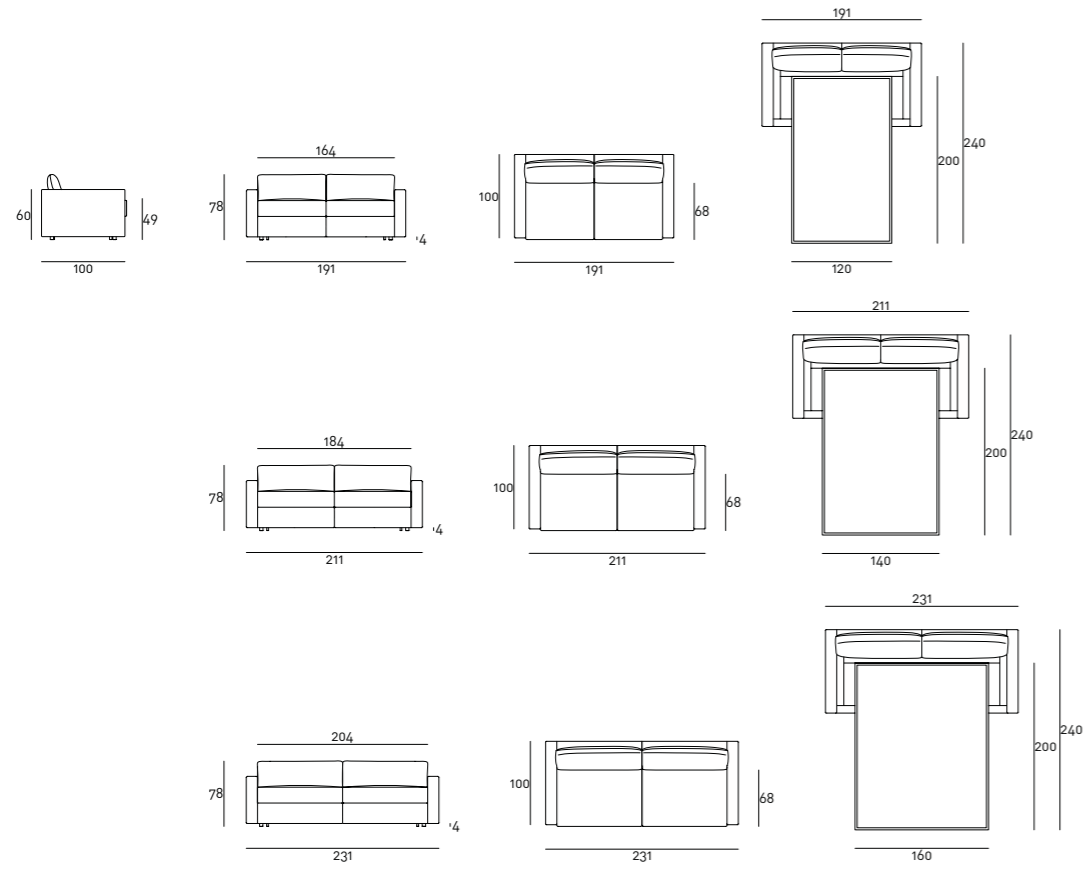
To open the base it's necessary to remove and reset the back, seat and armrest cushions.

On request, available mattress in polyurethane foam.

For information on the compatibility of the collection's coverings with each product, please refer to the [compliance sheet](#) provided in the "Materials" section of the website.

For leather coverings the "Leather A" or "Leather B" Maintenance Kit is included with the product.

Technical Drawings
Sofa bed



Technical Drawings
Sofa Bed with armrest cushions

