



KAMI VASE BIG

Inspired by paper bags, Kami Vase emphasises the aesthetics of crisp and crumbled paper bags. Kami, the Japanese word for paper bags, is an ode to the Japanese way of working with paper art. Kami vases has an uneven surface with curves and cracks, former the shape of a crumbled paper back with crisp white endings and edges. Kami emphasizes beautiful organic design with a hand-made touch. Kami Vases comes in three different sizes and is made from ceramic.

The surface is hand glazed in order to achieve a unique mat surface texture. The colours may vary slightly, due to that it's a handmade product. Glazed on the inside with waterproof lacquer, Kami is 100% waterproof and can be used for fresh flowers.

Designed by Kristian Sofus Hansen & Tommy Hyldahl.

Product no: 241047

Type: Vase - Indoor

Designer / Year of design:
Kristian Sofus Hansen & Tommy Hyldahl, 2023

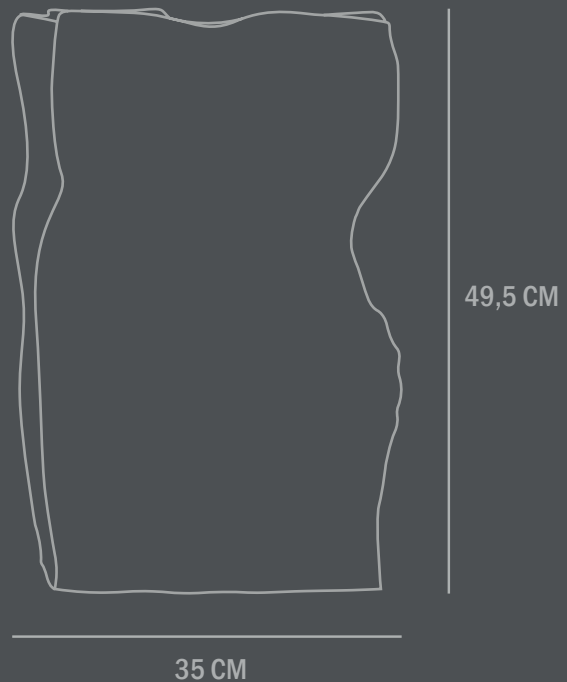
Colour: Bone White
Material: Ceramic

Care instructions:
Use a soft dry cloth to clean the product.
Do not use household cleaners.
Waterproof

Dimensions: L35 / W26 / H49,5 CM

Country of origin: CN
Product weight: 6,5 Kgs

Packaging:
Dimensions: L43,5 / W33 / H57,5 CM
Total weight incl. product: 8 Kgs
Number of parcels: 1
Material: Brown cardboard



101

C O P E N H A G E N



KAMI VASE BIG

Inspired by paper bags, Kami Vase emphasises the aesthetics of crisp and crumbled paper bags. Kami, the Japanese word for paper bags, is an ode to the Japanese way of working with paper art. Kami vases has an uneven surface with curves and cracks, former the shape of a crumbled paper back with crisp endings and edges. The vase emphasizes beautiful organic design with a handmade touch.

Kami comes in three sizes and is available in two colors. Choose between the crisp Bone White, emphasising the imitation of crumbled paper bags, or the Chrome colour with a shiny, mirror-like surface, adding a sleek and modern expression to the interior.

The surface is hand glazed to achieve a unique mat surface texture and is made from ceramic. The colours may vary slightly, due to that it's a handmade product. Glazed on the inside with waterproof lacquer, Kami is 100% waterproof and can be used for fresh flowers.

Designed by Kristian Sofus Hansen & Tommy Hyldahl.

Product no: 243027

Type: Vase - Indoor

Designer / Year of design:
Kristian Sofus Hansen & Tommy Hyldahl, 2024

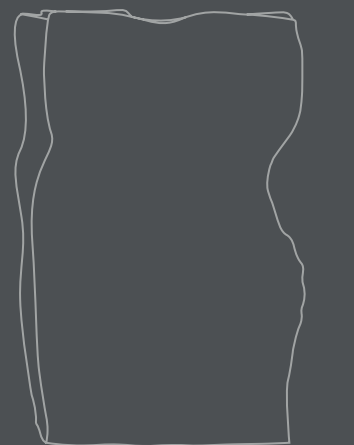
Colour: Chrome
Material: Ceramic

Care instructions:
Use a soft dry cloth to clean the product.
Do not use household cleaners.
Waterproof

Dimensions: L35 / W26 / H49,5 CM

Country of origin: CN
Product weight: 6,5 Kgs

Packaging:
Dimensions: L40,5 / W33,5 / H56 CM
Total weight incl. product: 8 Kgs
Number of parcels: 1
Material: Brown cardboard



49,5 CM

35 CM

KAMI VASE MEDIO

Inspired by paper bags, Kami Vase emphasises the aesthetics of crisp and crumbled paper bags. Kami, the Japanese word for paper bags, is an ode to the Japanese way of working with paper art. Kami vases has an uneven surface with curves and cracks, former the shape of a crumbled paper bag with crisp white endings and edges. Kami emphasizes beautiful organic design with a hand-made touch. Kami Vases comes in three different sizes and is made from ceramic.

The surface is hand glazed in order to achieve a unique mat surface texture. The colours may vary slightly, due to that it's a handmade product. Glazed on the inside with waterproof lacquer, Kami is 100% waterproof and can be used for fresh flowers.

Designed by Kristian Sofus Hansen & Tommy Hyldahl.



Product no: 241048

Type: Vase - Indoor

Designer / Year of design:
Kristian Sofus Hansen & Tommy Hyldahl, 2022

Colour: Bone White
Material: Ceramic

Care instructions:
Use a soft dry cloth to clean the product.
Do not use household cleaners.
Waterproof

Dimensions: L16 / W15 / H35 CM

Country of origin: CN
Product weight: 2,5 Kgs

Packaging:
Dimensions: L23,5 / W20 / H42,5 CM
Total weight incl. product: 3,5 Kgs
Number of parcels: 1
Material: Brown cardboard



101

C O P E N H A G E N

KAMI VASE MEDIO

Inspired by paper bags, Kami Vase emphasises the aesthetics of crisp and crumbled paper bags. Kami, the Japanese word for paper bags, is an ode to the Japanese way of working with paper art. Kami vases has an uneven surface with curves and cracks, former the shape of a crumbled paper bag with crisp endings and edges. The vase emphasizes beautiful organic design with a handmade touch.

Kami comes in three sizes and is available in two colors. Choose between the crisp Bone White, emphasising the imitation of crumbled paper bags, or the Chrome colour with a shiny, mirror-like surface, adding a sleek and modern expression to the interior.

The surface is hand glazed to achieve a unique mat surface texture and is made from ceramic. The colours may vary slightly, due to that it's a handmade product. Glazed on the inside with waterproof lacquer, Kami is 100% waterproof and can be used for fresh flowers.

Designed by Kristian Sofus Hansen & Tommy Hyldahl.



Product no: 243028

Type: Vase - Indoor

Designer / Year of design:
Kristian Sofus Hansen & Tommy Hyldahl, 2024

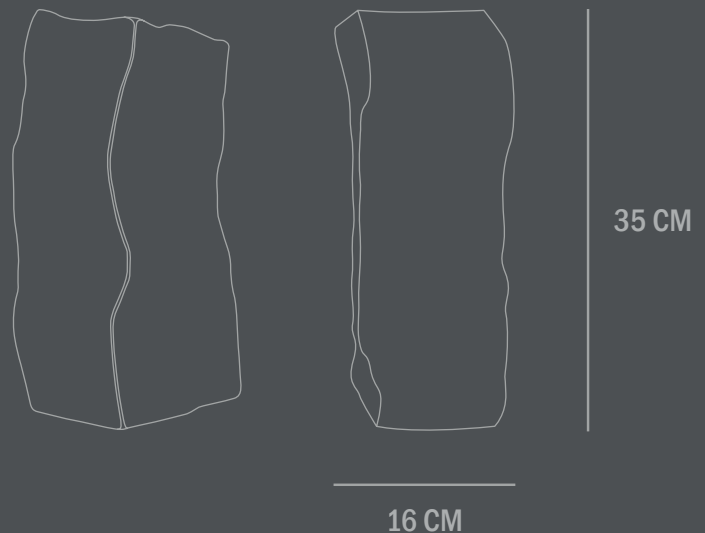
Colour: Chrome
Material: Ceramic

Care instructions:
Use a soft dry cloth to clean the product.
Do not use household cleaners.
Waterproof

Dimensions: L16 / W15 / H35 CM

Country of origin: CN
Product weight: 2,5 Kgs

Packaging:
Dimensions: L21,5 / W20,5 / H40 CM
Total weight incl. product: 3,5 Kgs
Number of parcels: 1
Material: Brown cardboard



101

C O P E N H A G E N



KAMI VASE MINI

Inspired by paper bags, Kami Vase emphasises the aesthetics of crisp and crumbled paper bags. Kami, the Japanese word for paper bags, is an ode to the Japanese way of working with paper art. Kami vases has an uneven surface with curves and cracks, former the shape of a crumbled paper back with crisp white endings and edges. Kami emphasizes beautiful organic design with a hand-made touch. Kami Vases comes in three different sizes and is made from ceramic.

The surface is hand glazed in order to achieve a unique mat surface texture. The colours may vary slightly, due to that it's a handmade product. Glazed on the inside with waterproof lacquer, Kami is 100% waterproof and can be used for fresh flowers.

Designed by Kristian Sofus Hansen & Tommy Hyldahl.

Product no: 241049

Type: Vase - Indoor

Designer / Year of design:
Kristian Sofus Hansen & Tommy Hyldahl, 2022

Colour: Bone White
Material: Ceramic

Care instructions:
Use a soft dry cloth to clean the product.
Do not use household cleaners.
Waterproof

Dimensions: L13 / W10,5 / H25 CM

Country of origin: CN
Product weight: 1 Kgs

Packaging:
Dimensions: L18,5 / W15,5 / H31,5 CM
Total weight incl. product: 1,5 Kgs
Number of parcels: 1
Material: Brown cardboard



101

C O P E N H A G E N



KAMI VASE MINI

Inspired by paper bags, Kami Vase emphasises the aesthetics of crisp and crumbled paper bags. Kami, the Japanese word for paper bags, is an ode to the Japanese way of working with paper art. Kami vases has an uneven surface with curves and cracks, former the shape of a crumbled paper bag with crisp endings and edges. The vase emphasizes beautiful organic design with a handmade touch.

Kami comes in three sizes and is available in two colors. Choose between the crisp Bone White, emphasising the imitation of crumbled paper bags, or the Chrome colour with a shiny, mirror-like surface, adding a sleek and modern expression to the interior.

The surface is hand glazed to achieve a unique mat surface texture and is made from ceramic. The colours may vary slightly, due to that it's a handmade product. Glazed on the inside with waterproof lacquer, Kami is 100% waterproof and can be used for fresh flowers.

Designed by Kristian Sofus Hansen & Tommy Hyldahl.

Product no: 243029

Type: Vase - Indoor

Designer / Year of design:
Kristian Sofus Hansen & Tommy Hyldahl, 2024

Colour: Chrome
Material: Ceramic

Care instructions:
Use a soft dry cloth to clean the product.
Do not use household cleaners.
Waterproof

Dimensions: L13 / W10,5 / H25 CM

Country of origin: CN
Product weight: 0,9 Kgs

Packaging:
Dimensions: L17 / W15,5 / H29,5 CM
Total weight incl. product: 1,1 Kgs
Number of parcels: 1
Material: Brown cardboard

