

# NEW WORKS.

*Product Fact Sheet - Lighting - Lantern Globe Lamp, Medium*



## **Lantern Globe Table Lamp, Medium** *Anderssen & Voll*

Bringing the soft illumination of its pendant predecessor, the Lantern Floor and Lantern Table Lamp complete this iconic family. Inspired by traditional Chinese rice paper lanterns, their frosted glass forms replicate that weightless glow. Firmly keeping this sculptural shape centre stage, a simple black steel base raises up its warm glow.

### **About the designer Anderssen & Voll**

Established in 2009, Anderssen & Voll create desirable and ground-breaking objects for the home environment. An approach shaped by their previous roles within pioneering Norwegian firm Norway Says, with Torbjørn Anderssen and Espen Voll being founders and running partners. Their interest in cultural forms can be seen within their elegant and understated pieces for some of Europe's most renowned brands.

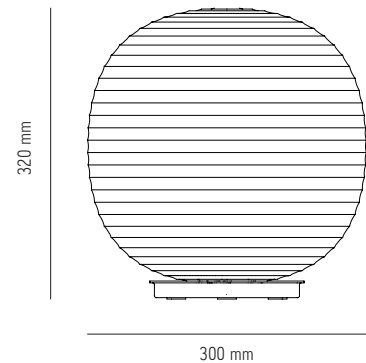
<b>Ean No</b>	<b>Item No</b>	<b>Variation</b>
5712826206249	20624	Black Base w. Frosted White Opal Glass

# NEW WORKS.

Product Fact Sheet - Lighting - Lantern Globe Lamp, Medium

## Specifications

Product Name	Lantern Table Lamp, Medium
Designer	Anderssen & Voll
Year	2020
Category	Lighting
Type	Table Lamp
Material	Frosted opal glass w. powder coated steel base
Colour/Variant	Frosted white w. black base
Product Dimensions	H: 320 x Ø: 300 mm
Packaging Dimensions	H: 320 x W: 540 x D: 410 mm
Cord	Black PVC, 1800 mm - dimmable switch 300 mm from lamp base
Weight	4,2 kg
Weight (incl. Packaging)	4,6 kg
Light Source	E27 Max 60W / LED Max 11W (Dimmable Bulb only) 220-240V~ 50/60 Hz
Bulb	Not Included
Certification	CE, Class II, IP20
County of origin	China
Master packaging	1



## Cleaning & Care Guide

Turn off the electricity before cleaning the lamp. Wipe the glass shade with a soft dry or moist cloth. Do not use any abrasive cleaning tools, and never use strong cleaning agents such as household glass cleaner, white spirit, turpentine.

## Safety Precautions

The lamp is only intended for indoor use, and consult a professionally qualified electrician if any doubt. Only use approved light bulb and following guidance - 220-240V~ 50/60Hz, E27 Max 60W / LED Max 11W. The light bulb and lamp exterior gets hot after prolonged use.



# NEW WORKS.

*Product Fact Sheet - Lighting - Lantern Globe Table Lamp, Small*



## **Lantern Globe Table Lamp, Small** *Anderssen & Voll*

Bringing the soft illumination of its pendant predecessor, the Lantern Floor and Lantern Table Lamp complete this iconic family. Inspired by traditional Chinese rice paper lanterns, their frosted glass forms replicate that weightless glow. Firmly keeping this sculptural shape centre stage, a simple black steel base raises up its warm glow.

### **About the designer Anderssen & Voll**

Established in 2009, Anderssen & Voll create desirable and ground-breaking objects for the home environment. An approach shaped by their previous roles within pioneering Norwegian firm Norway Says, with Torbjørn Anderssen and Espen Voll being founders and running partners. Their interest in cultural forms can be seen within their elegant and understated pieces for some of Europe's most renowned brands.

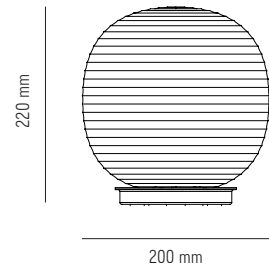
<b>Ean No</b>	<b>Item No</b>	<b>Variation</b>
5712826206140	20614	Black Base w. Frosted White Opal Glass

# NEW WORKS.

Product Fact Sheet - Lighting - Lantern Globe Table Lamp, Small

## Specifications

Product Name	Lantern Table Lamp, Small
Designer	Anderssen & Voll
Year	2020
Category	Lighting
Type	Table Lamp
Material	Frosted opal glass w. powder coated steel base
Colour/Variant	Frosted white w. black base
Product Dimensions	H: 220 X Ø: 200 mm
Packaging Dimensions	H: 270 X W: 430 X D: 310 mm
Cord	Black PVC, 1800 mm w. dimmable switch 300 mm from base
Weight	2 kg
Weight (incl. Packaging)	2,5 Kg
Light Source	E14, LED Max 7W (Dimmable bulb only)
Bulb	Not Included
Certification	CE, Class II, IP20
County of origin	China
Master packaging	1



## Cleaning & Care Guide

Turn off the electricity before cleaning the lamp. Wipe the glass shade with a soft dry or moist cloth. Do not use any abrasive cleaning tools, and never use strong cleaning agents such as household glass cleaner, white spirit, turpentine.

## Safety Precautions

The lamp is only intended for indoor use, and consult a professionally qualified electrician if any doubt. Only use approved light bulb and following guidance - 220-240V~ 50/60Hz, E14 LED Max 7W, The light bulb and lamp exterior gets hot after prolonged use.

