



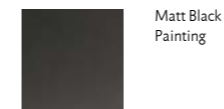
LORENTZ

design David Lopez Quincoces

Modular elements of different sizes (base, backrest, armrest) joined together by means of specific hooks, with a frame in poplar plywood, solid and honeycomb fir wood. Base with inserted a black under-seat panel and padding in polyurethane foam covered in 100% polyether thermally bonded onto a polyamide velveteen backing. Backrests, armrests, and seat cushions with padding in differentiated density polyurethane foam covered with a mat in prewashed and sterilized goose down, stitched into separated compartments. Fabric or leather upholstery, both fully removable by zippers and Velcro fastenings. Feet made of moulded recycled and regenerated polyamide, with Ø40 mm outer part in black lacquered steel, adjustable in height up to 3 cm. Floor support provided by plastic tips. Seat depth: 68 - 116 - 132 cm.

Coffee tables, 72x96 cm and 96x96 cm available as freestanding elements or to be use in composition, with veneered HPL top fixed to the padded base with upholstery in fabrics or leathers, both fully removable by zippers and Velcro fastenings. Matching trays in veneered MDF, in the dimensions 40x60 h.3,5 cm, with bottom always paired in art.Cuoietto 90 in combination with fabric sofas, while for leather sofas bottom covered in art.Cuoietto matching with the chosen leather color. Table tops and tray are both veneered with Canaletto walnut with water-based varnish, or in multilaminar wood Striped Grey with acrylic finish.

Feet



Tray



Table Top



Notes

Modular elements are joined with provided hooks for assembly, as per instruction included in the product.

Elements with a 5 cm higher backrest are available upon request.

For elements used as a central module in island composition, with backrests on both sides.

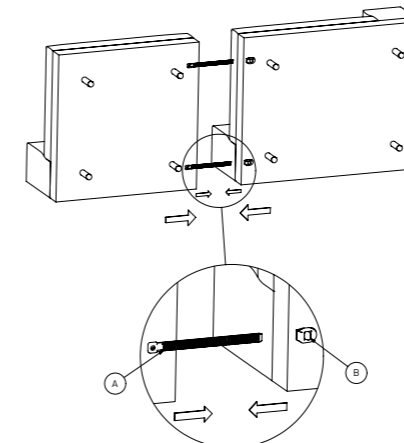
For compositions with tables and different elements, please attach a sketch to the order.

Wood is a living material; therefore, it can have slight color and dimension changes. The presence of any non-homogeneous color shades is not to be considered a defect but a quality. Please note that the direct sunlight exposure may alter the wood color; therefore, we recommend the periodic position shift of the objects placed on the furniture for the first months to avoid differences in shades between exposed and covered portions.

STRIPED GREY: it is a decorative multilaminar wood veneer, always finished with a transparent acrylic painting, which features exclusive patterns reproducing the natural characteristics of wood. We would like to remind you that, being a natural and living wooden material, it may present non-homogeneous colour shades, which are peculiarities of the material itself.

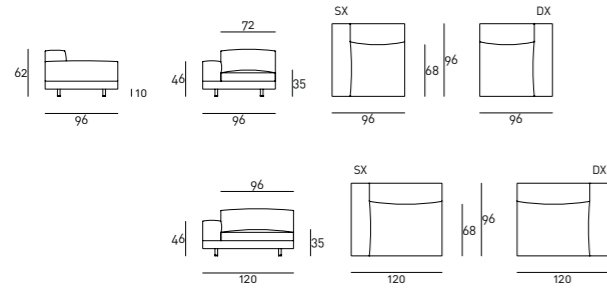
For information on the compatibility of the collection's coverings with each product, please refer to the [compliance sheet](#) provided in the "Materials" section of the website.

For leather coverings the "Leather A" or "Leather B" Maintenance Kit is included with the product.

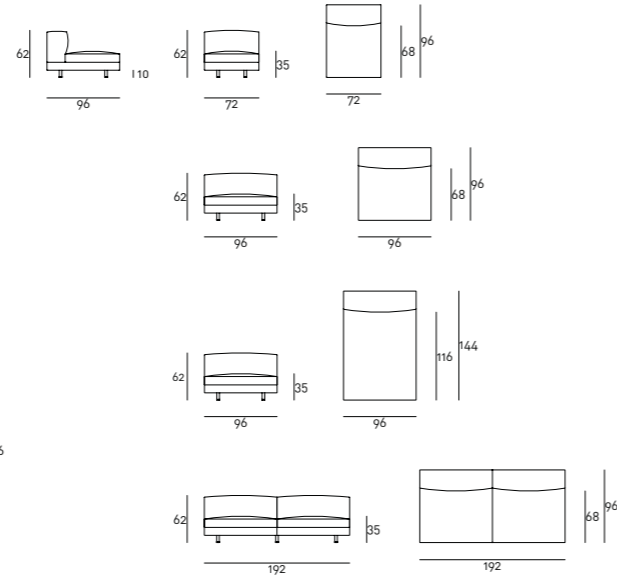


Technical Drawings

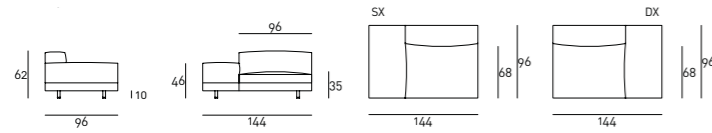
Terminal Element with low armrest



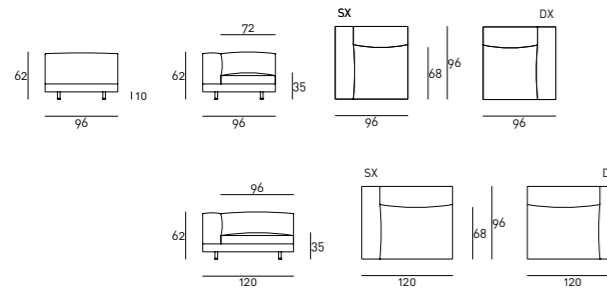
Central Element



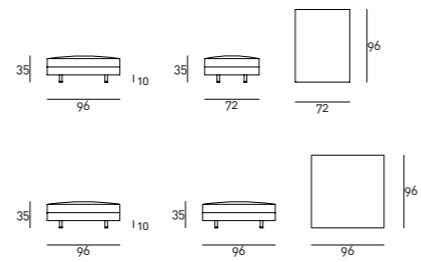
Terminal Element with low wide armrest



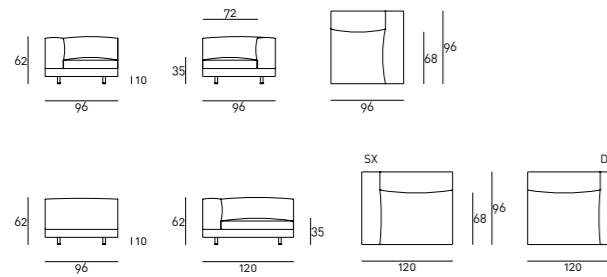
Terminal Element with high armrest



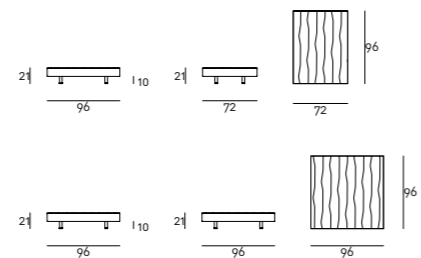
Footrest



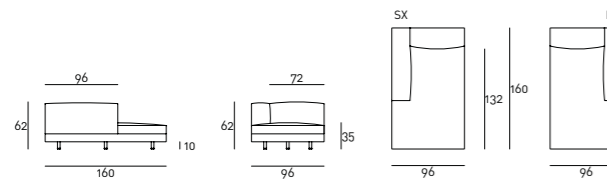
Corner Element



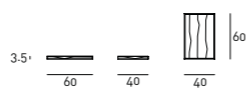
Coffee Table



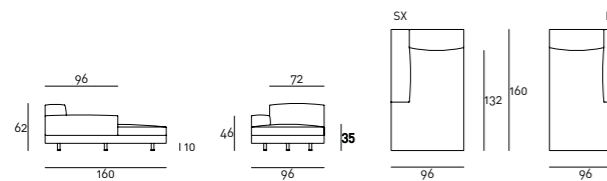
Long Seat with high armrest



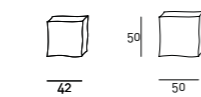
Tray



Long Seat with low armrest

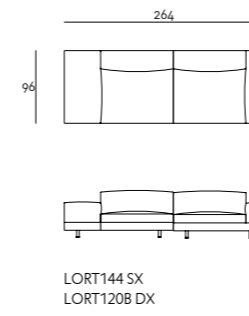


Loose Cushion

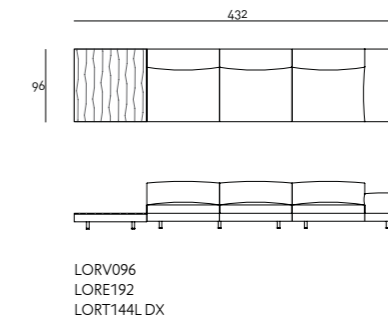


Examples of Compositions

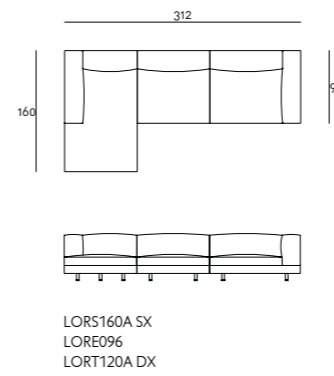
Composition 01



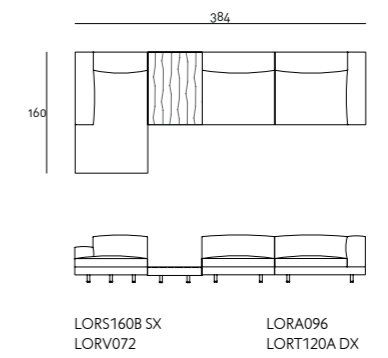
Composition 02



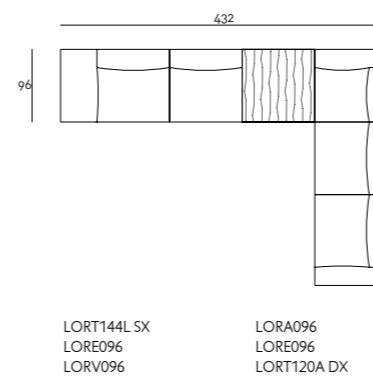
Composition 03



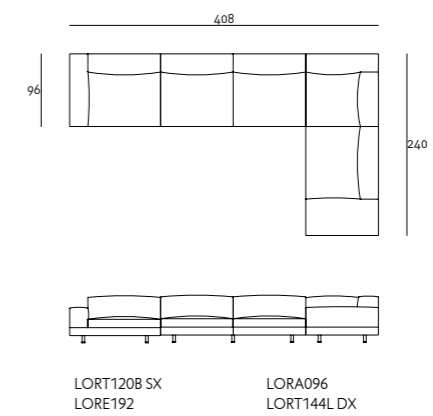
Composition 04



Composition 05



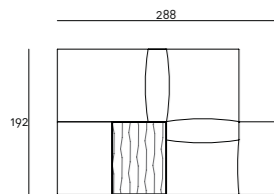
Composition 06



The commercial codes refer to the elements chosen in the above-proposed compositions.

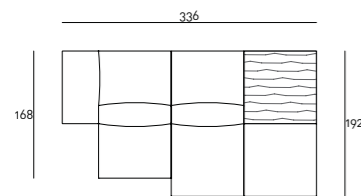
Examples of Compositions

Composition 07



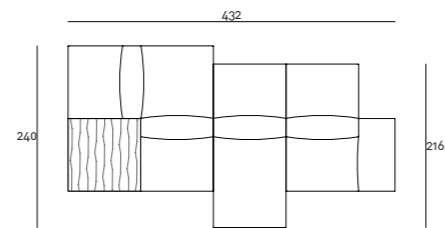
LORE144 LORV072
LORF096 LORT144L DX
LORA072

Composition 09



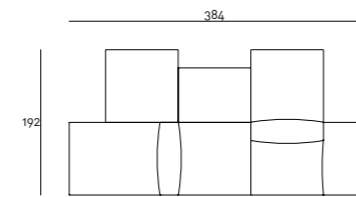
LORT144L SX LORF072
LORE096 LORF096
LORV096 LORF096

Composition 08

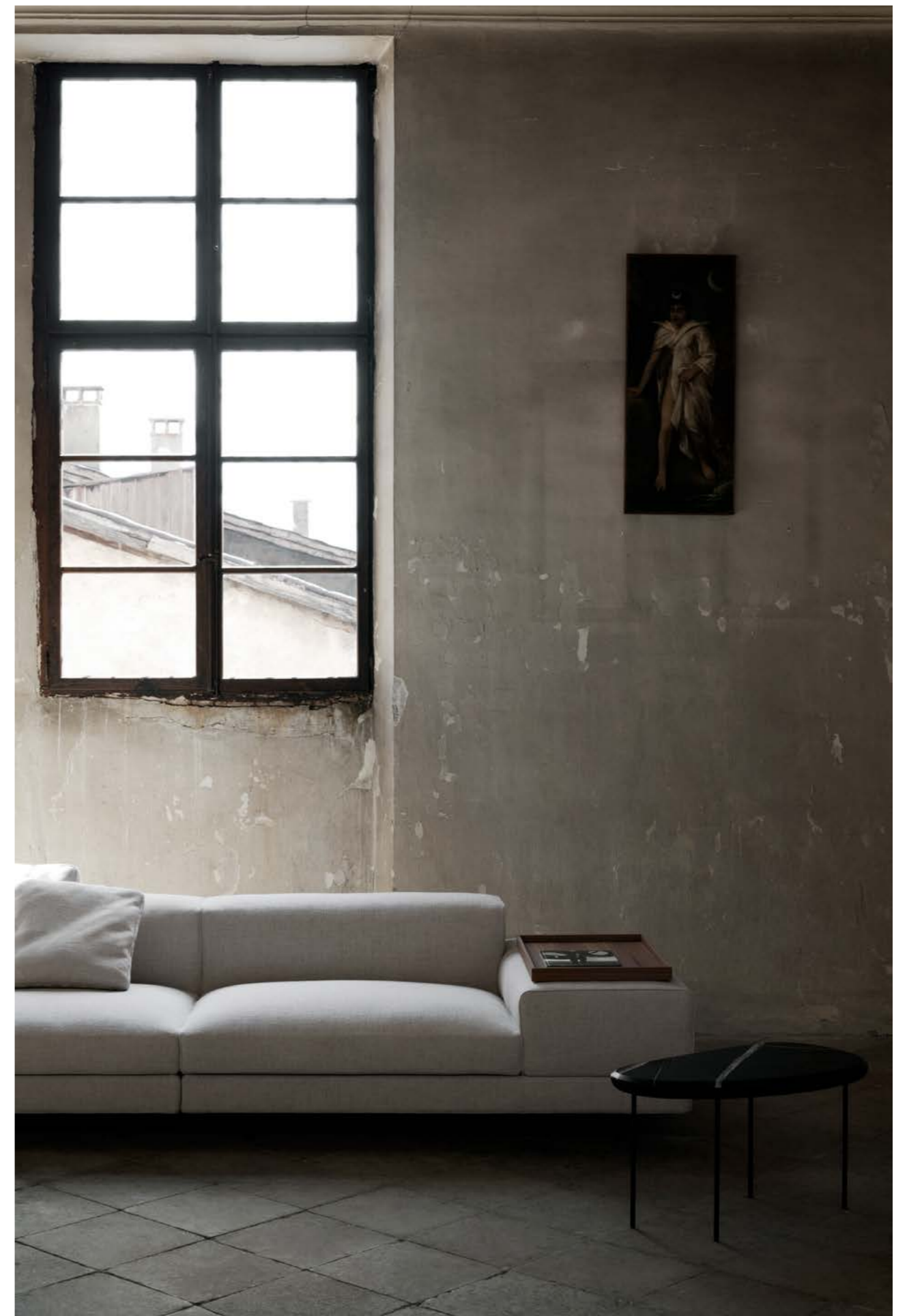


LORE096 LORV096
LORF096 LORE096
LORF072 LORE14
LORF072 LORT144L DX

Composition 10



LORF096 LORE144
LORF072 LORF096
LORF096 LORT144L DX



The commercial codes refer to the elements chosen in the above-proposed compositions.



