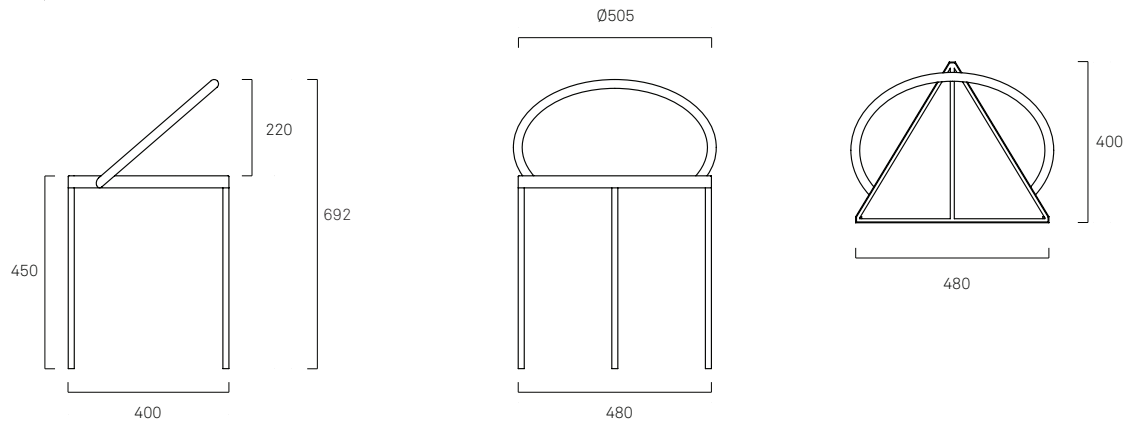


TRIANGOLO CHAIR



Design	Per Holland
Year	1989
Typology	Chair
Collection	Signature
Origin	Lithuania
Material	Stainless steel, untreated

Product	Item No.	EAN code
Triangolo Chair Stainless	6100	5712828061006
Triangolo Chair Stained Black	6000	5712828060009

MAINTENANCE OF TRIANGOLO CHAIR

Some of the metals in the Frama collection are left untreated to allow for a natural patina to develop over time. See below to keep these beautiful signs of aging, or polish them away. All collection pieces are for indoor use.

CLEANING STAINLESS STEEL:

Stainless steel must be kept clean for a long material life.

For routine cleaning ph-neutral soap and water is sufficient applied with a sponge or cloth. This is likely to be needed only 1-2 times a year, as this material is quite resistant to oxidation and retention of residue

After cleaning the stainless steel should be washed thoroughly and dried with a soft cloth in the direction of the grain to prevent streaking.

FRAMA

Org. St. Pauls Apotek - Fredericiagade 57 - Copenhagen - Denmark