

101

C O P E N H A G E N



SPHERE VASE BUBL GIANT

The Sphere collection has become synonymous with the visual language and the signature series of 101 Copenhagen.

The series is a family of unique silhouettes and textures gathering in a decorative and sculptural manner. Elegantly sculpted, each vase is finished with an intricate ornate detailing.

Inspired by ancient Chinese vases, a palette of faded earth tones is characteristic of the Sphere collection which was developed in close collaboration with highly skilled ceramists, ensuring the precise contrast between the smooth shapes and sharp edges.

As it is a hand glazed natural product, the colours may vary slightly and while it is not 100% waterproof, a bag for fresh flowers is included.

Designed by Kristian Sofus Hansen & Tommy Hyldahl.

Product no: 221039

Type: Vase - Indoor

Designer / Year of design:
Kristian Sofus Hansen & Tommy Hyldahl, 2017

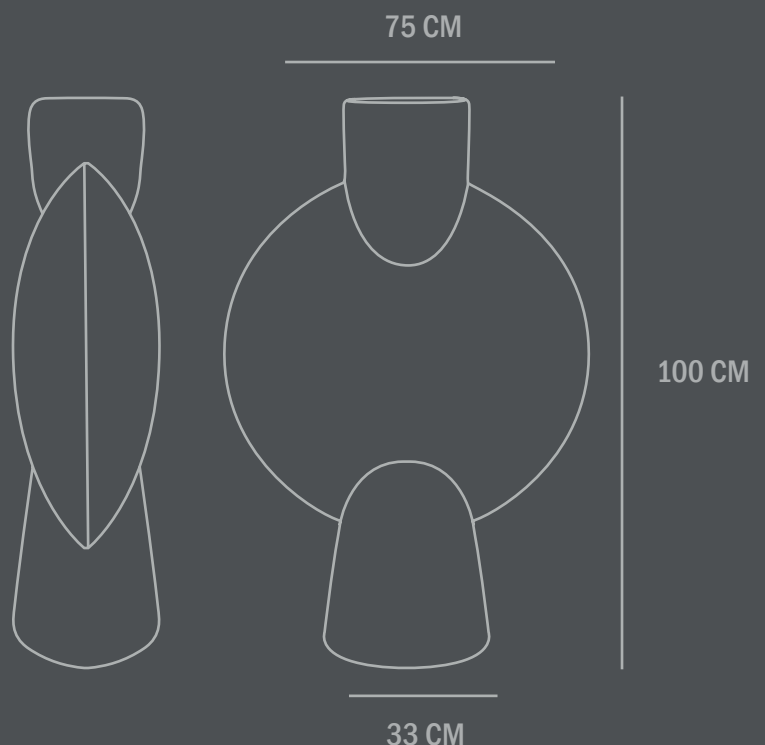
Colour: Sand
Material: Ceramic

Care instructions:
Use a soft dry cloth to clean the product.
Do not use household cleaners.
Not waterproof

Dimensions: L75 / W33 / H100 CM
Country of origin: CN

Product weight: Kgs

Packaging:
Dimensions: L / W / H CM
Total weight incl. product: Kgs
Number of parcels: 1
Material: Brown cardboard



101

C O P E N H A G E N



SPHERE VASE BUBL GIANT

The Sphere collection has become synonymous with the visual language and the signature series of 101 Copenhagen.

The series is a family of unique silhouettes and textures gathering in a decorative and sculptural manner. Elegantly sculpted, each vase is finished with an intricate ornate detailing.

Inspired by ancient Chinese vases, a palette of faded earth tones is characteristic of the Sphere collection which was developed in close collaboration with highly skilled ceramists, ensuring the precise contrast between the smooth shapes and sharp edges.

As it is a hand glazed natural product, the colours may vary slightly and while it is not 100% waterproof, a bag for fresh flowers is included.

Designed by Kristian Sofus Hansen & Tommy Hyldahl.

Product no: 214007

Type: Vase - Indoor

Designer / Year of design:
Kristian Sofus Hansen & Tommy Hyldahl, 2017

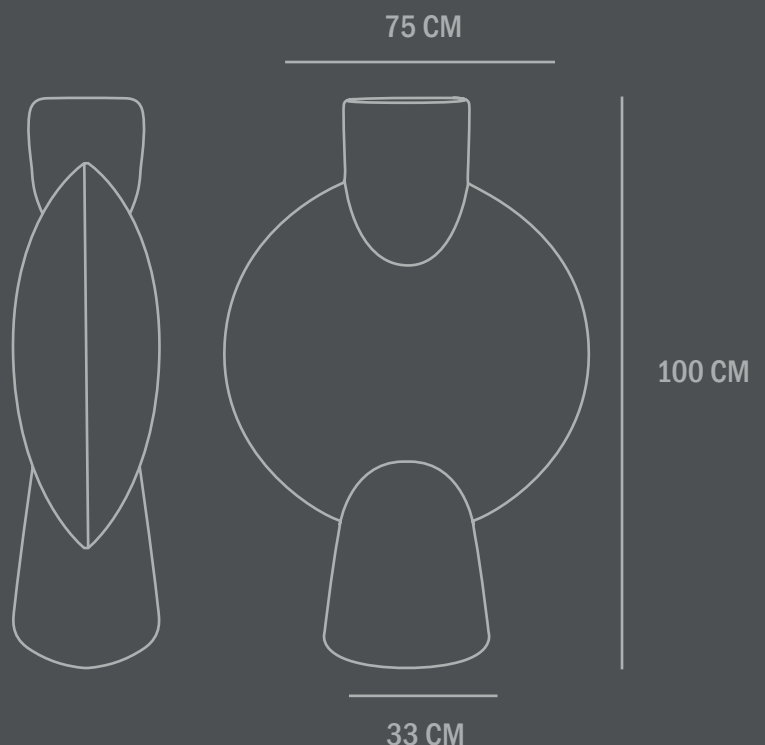
Colour: Coffee
Material: Ceramic

Care instructions:
Use a soft dry cloth to clean the product.
Do not use household cleaners.
Not waterproof

Dimensions: L75 / W33 / H100 CM
Country of origin: CN

Product weight: Kgs

Packaging:
Dimensions: L / W / H CM
Total weight incl. product: Kgs
Number of parcels: 1
Material: Brown cardboard



101

C O P E N H A G E N



Product no: 201017

Type: Vase - Indoor

Designer / Year of design:
Kristian Sofus Hansen & Tommy Hyldahl, 2017

Colour: Dark Grey
Material: Ceramic

Care instructions:
Use a soft dry cloth to clean the product.
Do not use household cleaners.
Not waterproof

Dimensions: L42 / W18,5 / H60 CM
Country of origin: CN

Product weight: 5,00 Kgs

Packaging:
Dimensions: L68 / W27 / H50 CM
Total weight incl. product: 6,00 Kgs
Number of parcels: 1
Material: Brown cardboard

SPHERE VASE BUBL HEXA

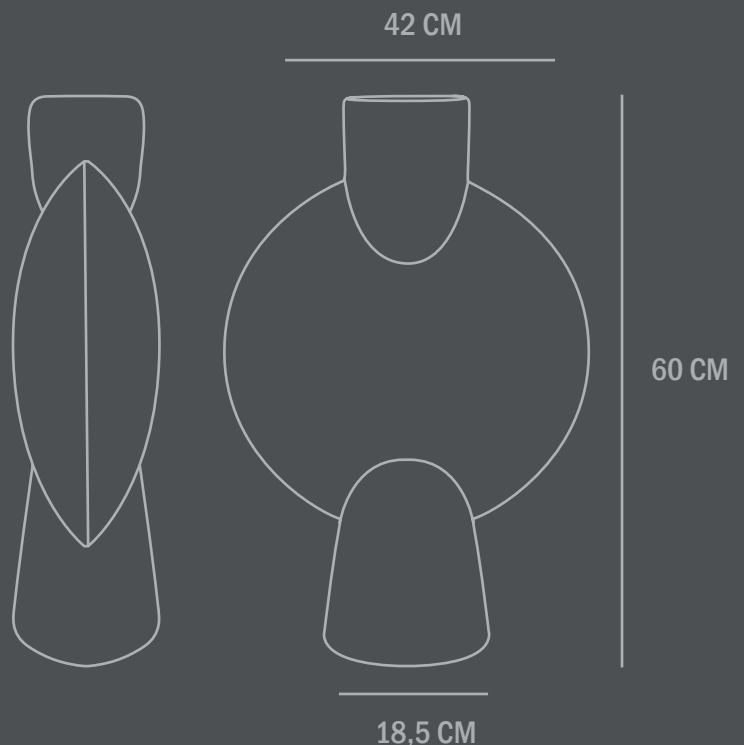
The Sphere collection has become synonymous with the visual language and the signature series of 101 Copenhagen.

The series is a family of unique silhouettes and textures gathering in a decorative and sculptural manner. Elegantly sculpted, each vase is finished with an intricate ornate detailing.

Inspired by ancient Chinese vases, a palette of faded earth tones is characteristic of the Sphere collection which was developed in close collaboration with highly skilled ceramists, ensuring the precise contrast between the smooth shapes and sharp edges.

As it is a hand glazed natural product, the colours may vary slightly and while it is not 100% waterproof, a bag for fresh flowers is included.

Designed by Kristian Sofus Hansen & Tommy Hyldahl.



101

C O P E N H A G E N



SPHERE VASE BUBL HEXA

The Sphere collection has become synonymous with the visual language and the signature series of 101 Copenhagen.

The series is a family of unique silhouettes and textures gathering in a decorative and sculptural manner. Elegantly sculpted, each vase is finished with an intricate ornate detailing.

Inspired by ancient Chinese vases, a palette of faded earth tones is characteristic of the Sphere collection which was developed in close collaboration with highly skilled ceramists, ensuring the precise contrast between the smooth shapes and sharp edges.

As it is a hand glazed natural product, the colours may vary slightly and while it is not 100% waterproof, a bag for fresh flowers is included.

Designed by Kristian Sofus Hansen & Tommy Hyldahl.

Product no: 201016

Type: Vase - Indoor

Designer / Year of design:
Kristian Sofus Hansen & Tommy Hyldahl, 2017

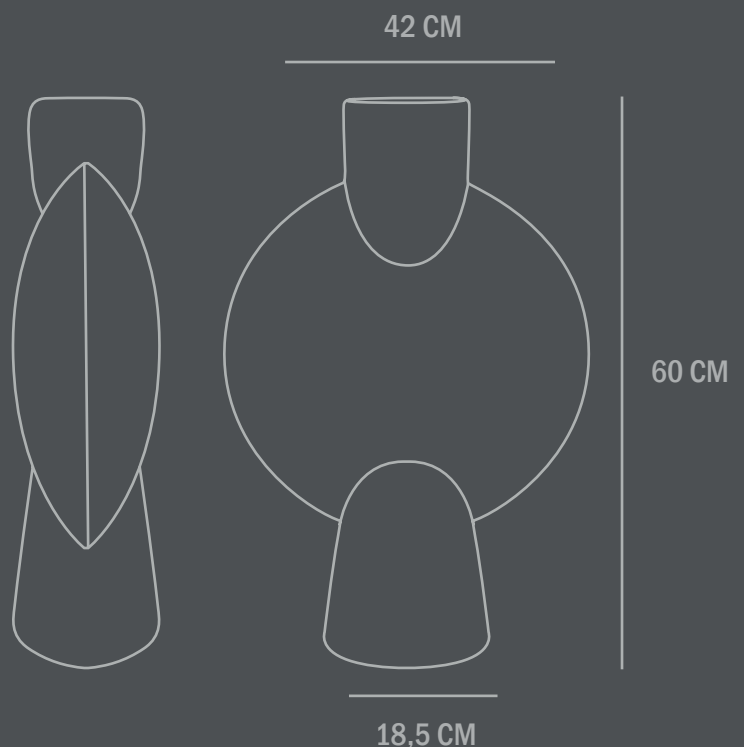
Colour: Sand
Material: Ceramic

Care instructions:
Use a soft dry cloth to clean the product.
Do not use household cleaners.
Not waterproof

Dimensions: L42 / W18,5 / H60 CM
Country of origin: CN

Product weight: 5,00 Kgs

Packaging:
Dimensions: L68 / W27 / H50 CM
Total weight incl. product: 6,00 Kgs
Number of parcels: 1
Material: Brown cardboard



101

C O P E N H A G E N



Product no: 213024

Type: Vase - Indoor

Designer / Year of design:
Kristian Sofus Hansen & Tommy Hyldahl, 2017

Colour: Black
Material: Ceramic

Care instructions:
Use a soft dry cloth to clean the product.
Do not use household cleaners.
Not waterproof

Dimensions: L13 / W6 / H18 CM
Country of origin: CN

Product weight: 0,40 Kgs

Packaging:
Dimensions: L24 / W12 / H20 CM
Total weight incl. product: 0,45 Kgs
Number of parcels: 1
Material: Brown cardboard

SPHERE VASE BUBL MINI

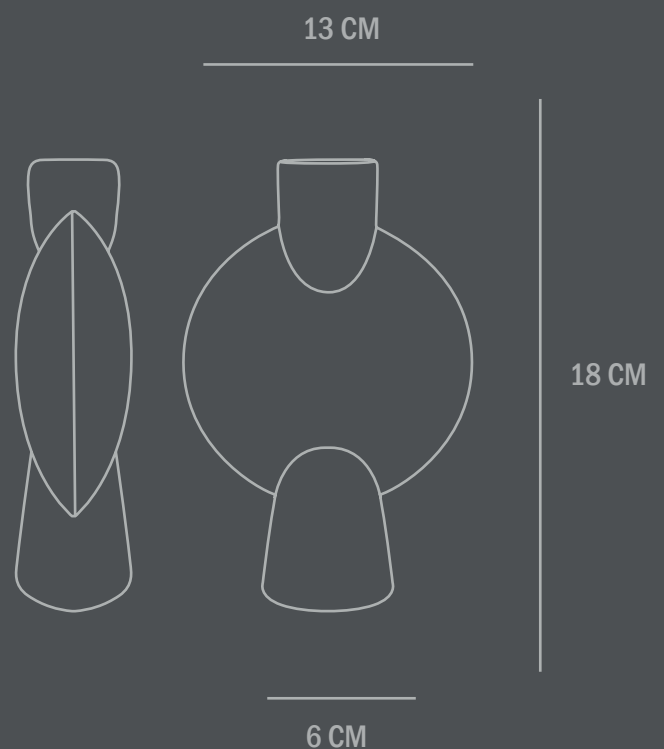
The Sphere collection has become synonymous with the visual language and the signature series of 101 Copenhagen.

The series is a family of unique silhouettes and textures gathering in a decorative and sculptural manner. Elegantly sculpted, each vase is finished with an intricate ornate detailing.

Inspired by ancient Chinese vases, a palette of faded earth tones is characteristic of the Sphere collection which was developed in close collaboration with highly skilled ceramists, ensuring the precise contrast between the smooth shapes and sharp edges.

As it is a hand glazed natural product, the colours may vary slightly and while it is not 100% waterproof, a bag for fresh flowers is included.

Designed by Kristian Sofus Hansen & Tommy Hyldahl.



101

C O P E N H A G E N



Product no: 202003

Type: Vase - Indoor

Designer / Year of design:
Kristian Sofus Hansen & Tommy Hyldahl, 2017

Colour: Bubble White
Material: Ceramic

Care instructions:
Use a soft dry cloth to clean the product.
Do not use household cleaners.
Not waterproof

Dimensions: L13 / W6 / H18 CM
Country of origin: CN

Product weight: 0,40 Kgs

Packaging:
Dimensions: L24 / W12 / H20 CM
Total weight incl. product: 0,45 Kgs
Number of parcels: 1
Material: Brown cardboard

SPHERE VASE BUBL MINI

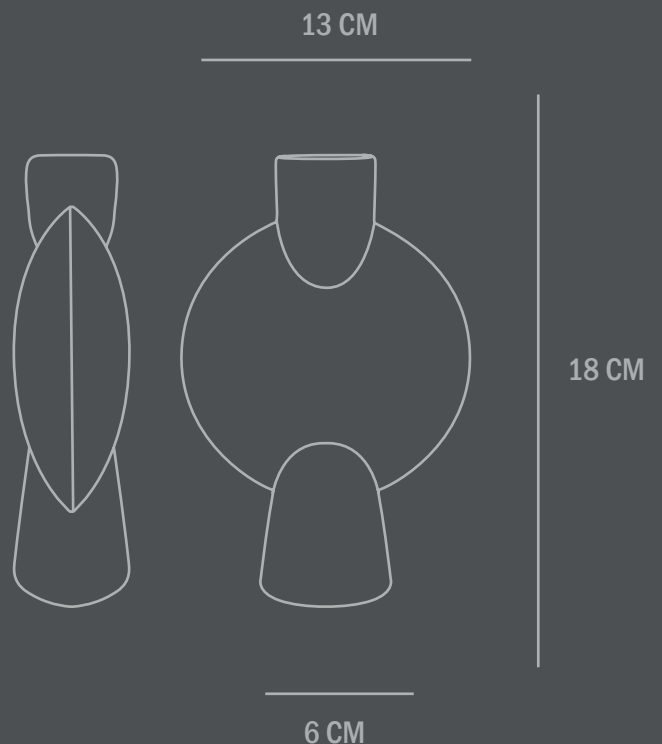
The Sphere collection has become synonymous with the visual language and the signature series of 101 Copenhagen.

The series is a family of unique silhouettes and textures gathering in a decorative and sculptural manner. Elegantly sculpted, each vase is finished with an intricate ornate detailing.

Inspired by ancient Chinese vases, a palette of faded earth tones is characteristic of the Sphere collection which was developed in close collaboration with highly skilled ceramists, ensuring the precise contrast between the smooth shapes and sharp edges.

As it is a hand glazed natural product, the colours may vary slightly and while it is not 100% waterproof, a bag for fresh flowers is included.

Designed by Kristian Sofus Hansen & Tommy Hyldahl.



101

C O P E N H A G E N



Product no: 111030

Type: Vase - Indoor

Designer / Year of design:
Kristian Sofus Hansen & Tommy Hyldahl, 2017

Colour: Coffee
Material: Ceramic

Care instructions:
Use a soft dry cloth to clean the product.
Do not use household cleaners.
Not waterproof

Dimensions: L13 / W6 / H18 CM
Country of origin: CN

Product weight: 0,40 Kgs

Packaging:
Dimensions: L24 / W12 / H20 CM
Total weight incl. product: 0,45 Kgs
Number of parcels: 1
Material: Brown cardboard

SPHERE VASE BUBL MINI

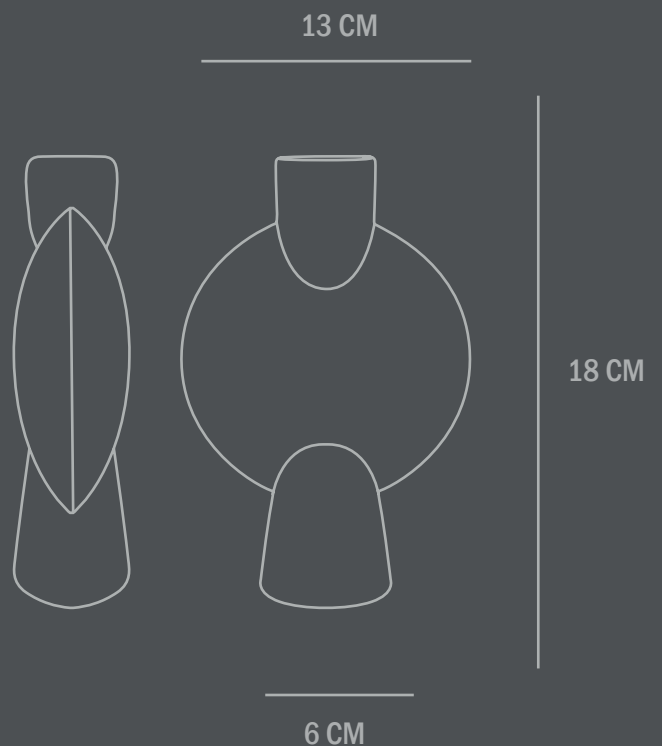
The Sphere collection has become synonymous with the visual language and the signature series of 101 Copenhagen.

The series is a family of unique silhouettes and textures gathering in a decorative and sculptural manner. Elegantly sculpted, each vase is finished with an intricate ornate detailing.

Inspired by ancient Chinese vases, a palette of faded earth tones is characteristic of the Sphere collection which was developed in close collaboration with highly skilled ceramists, ensuring the precise contrast between the smooth shapes and sharp edges.

As it is a hand glazed natural product, the colours may vary slightly and while it is not 100% waterproof, a bag for fresh flowers is included.

Designed by Kristian Sofus Hansen & Tommy Hyldahl.



101

C O P E N H A G E N



Product no: 111029

Type: Vase - Indoor

Designer / Year of design:
Kristian Sofus Hansen & Tommy Hyldahl, 2017

Colour: Dark grey
Material: Ceramic

Care instructions:
Use a soft dry cloth to clean the product.
Do not use household cleaners.
Not waterproof

Dimensions: L13 / W6 / H18 CM
Country of origin: CN

Product weight: 0,40 Kgs

Packaging:
Dimensions: L24 / W12 / H20 CM
Total weight incl. product: 0,45 Kgs
Number of parcels: 1
Material: Brown cardboard

SPHERE VASE BUBL MINI

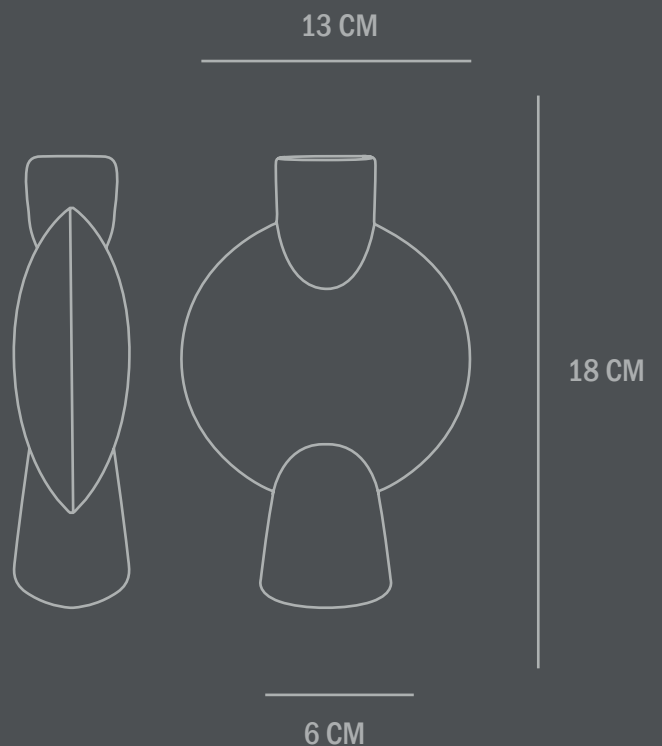
The Sphere collection has become synonymous with the visual language and the signature series of 101 Copenhagen.

The series is a family of unique silhouettes and textures gathering in a decorative and sculptural manner. Elegantly sculpted, each vase is finished with an intricate ornate detailing.

Inspired by ancient Chinese vases, a palette of faded earth tones is characteristic of the Sphere collection which was developed in close collaboration with highly skilled ceramists, ensuring the precise contrast between the smooth shapes and sharp edges.

As it is a hand glazed natural product, the colours may vary slightly and while it is not 100% waterproof, a bag for fresh flowers is included.

Designed by Kristian Sofus Hansen & Tommy Hyldahl.



101

C O P E N H A G E N



Product no: 111180

Type: Vase - Indoor

Designer / Year of design:
Kristian Sofus Hansen & Tommy Hyldahl, 2017

Colour: Ocher
Material: Ceramic

Care instructions:
Use a soft dry cloth to clean the product.
Do not use household cleaners.
Not waterproof

Dimensions: L13 / W6 / H18 CM
Country of origin: CN

Product weight: 0,40 Kgs

Packaging:
Dimensions: L24 / W12 / H20 CM
Total weight incl. product: 0,45 Kgs
Number of parcels: 1
Material: Brown cardboard

SPHERE VASE BUBL MINI

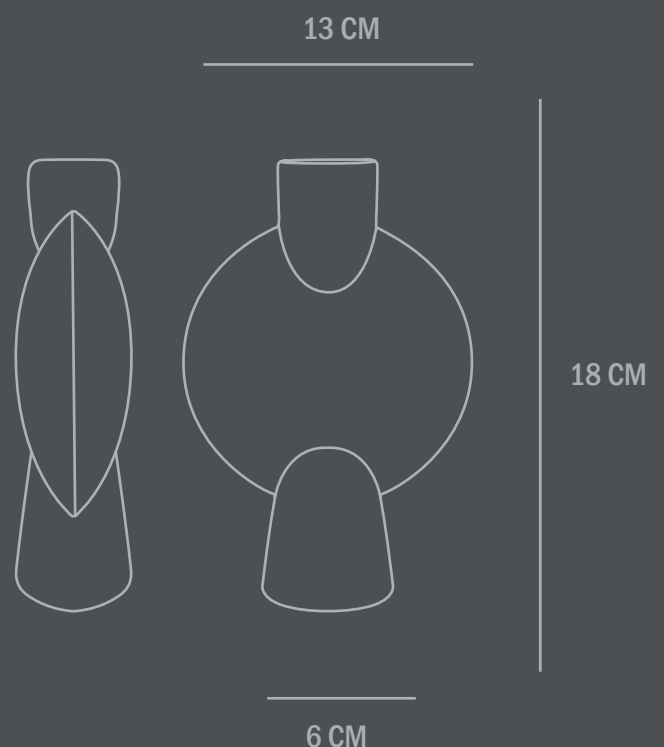
The Sphere collection has become synonymous with the visual language and the signature series of 101 Copenhagen.

The series is a family of unique silhouettes and textures gathering in a decorative and sculptural manner. Elegantly sculpted, each vase is finished with an intricate ornate detailing.

Inspired by ancient Chinese vases, a palette of faded earth tones is characteristic of the Sphere collection which was developed in close collaboration with highly skilled ceramists, ensuring the precise contrast between the smooth shapes and sharp edges.

As it is a hand glazed natural product, the colours may vary slightly and while it is not 100% waterproof, a bag for fresh flowers is included.

Designed by Kristian Sofus Hansen & Tommy Hyldahl.



101

C O P E N H A G E N



Product no: 203008

Type: Vase - Indoor

Designer / Year of design:
Kristian Sofus Hansen & Tommy Hyldahl, 2017

Colour: Sand
Material: Ceramic

Care instructions:
Use a soft dry cloth to clean the product.
Do not use household cleaners.
Not waterproof

Dimensions: L13 / W6 / H18 CM
Country of origin: CN

Product weight: 0,40 Kgs

Packaging:
Dimensions: L24 / W12 / H20 CM
Total weight incl. product: 0,45 Kgs
Number of parcels: 1
Material: Brown cardboard

SPHERE VASE BUBL MINI

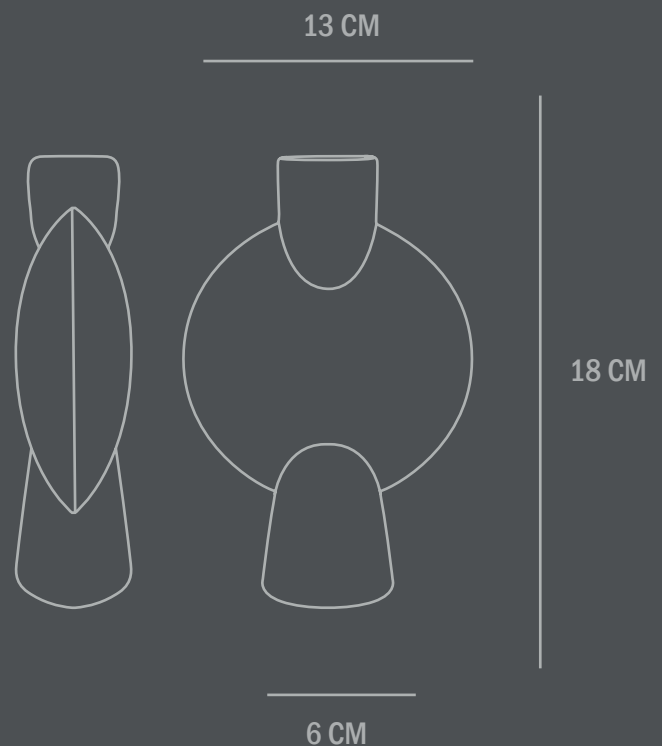
The Sphere collection has become synonymous with the visual language and the signature series of 101 Copenhagen.

The series is a family of unique silhouettes and textures gathering in a decorative and sculptural manner. Elegantly sculpted, each vase is finished with an intricate ornate detailing.

Inspired by ancient Chinese vases, a palette of faded earth tones is characteristic of the Sphere collection which was developed in close collaboration with highly skilled ceramists, ensuring the precise contrast between the smooth shapes and sharp edges.

As it is a hand glazed natural product, the colours may vary slightly and while it is not 100% waterproof, a bag for fresh flowers is included.

Designed by Kristian Sofus Hansen & Tommy Hyldahl.





Product no: 111176

Type: Vase - Indoor

Designer / Year of design:
Kristian Sofus Hansen & Tommy Hyldahl, 2017

Colour: Taupe
Material: Ceramic

Care instructions:
Use a soft dry cloth to clean the product.
Do not use household cleaners.
Not waterproof

Dimensions: L13 / W6 / H18 CM
Country of origin: CN

Product weight: 0,40 Kgs

Packaging:
Dimensions: L24 / W12 / H20 CM
Total weight incl. product: 0,45 Kgs
Number of parcels: 1
Material: Brown cardboard

SPHERE VASE BUBL MINI

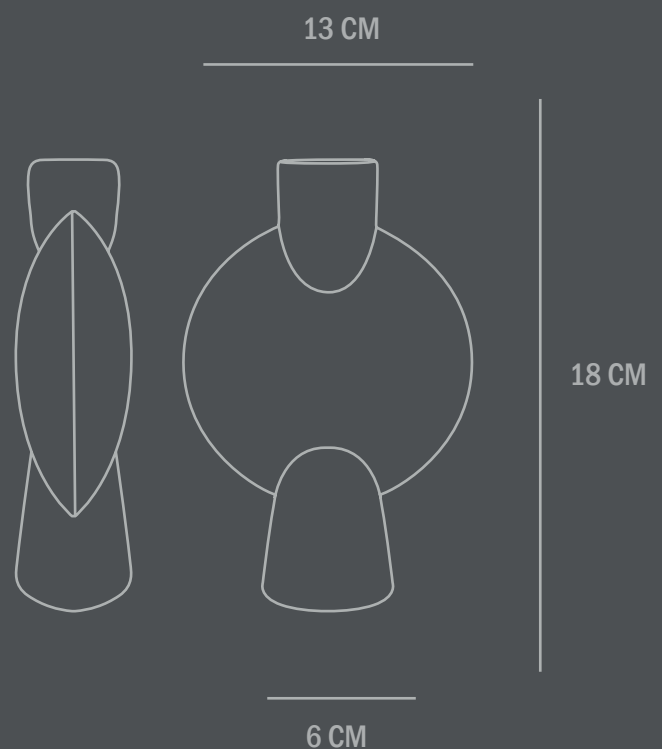
The Sphere collection has become synonymous with the visual language and the signature series of 101 Copenhagen.

The series is a family of unique silhouettes and textures gathering in a decorative and sculptural manner. Elegantly sculpted, each vase is finished with an intricate ornate detailing.

Inspired by ancient Chinese vases, a palette of faded earth tones is characteristic of the Sphere collection which was developed in close collaboration with highly skilled ceramists, ensuring the precise contrast between the smooth shapes and sharp edges.

As it is a hand glazed natural product, the colours may vary slightly and while it is not 100% waterproof, a bag for fresh flowers is included.

Designed by Kristian Sofus Hansen & Tommy Hyldahl.



101

C O P E N H A G E N



Product no: 203010

Type: Vase - Indoor

Designer / Year of design:
Kristian Sofus Hansen & Tommy Hyldahl, 2017

Colour: Terracotta
Material: Ceramic

Care instructions:
Use a soft dry cloth to clean the product.
Do not use household cleaners.
Not waterproof

Dimensions: L13 / W6 / H18 CM
Country of origin: CN

Product weight: 0,40 Kgs

Packaging:
Dimensions: L24 / W12 / H20 CM
Total weight incl. product: 0,45 Kgs
Number of parcels: 1
Material: Brown cardboard

SPHERE VASE BUBL MINI

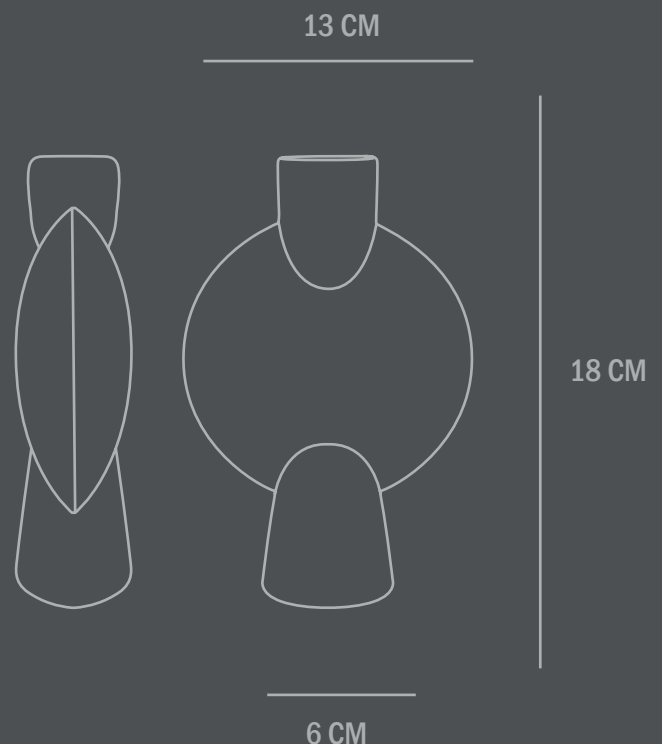
The Sphere collection has become synonymous with the visual language and the signature series of 101 Copenhagen.

The series is a family of unique silhouettes and textures gathering in a decorative and sculptural manner. Elegantly sculpted, each vase is finished with an intricate ornate detailing.

Inspired by ancient Chinese vases, a palette of faded earth tones is characteristic of the Sphere collection which was developed in close collaboration with highly skilled ceramists, ensuring the precise contrast between the smooth shapes and sharp edges.

As it is a hand glazed natural product, the colours may vary slightly and while it is not 100% waterproof, a bag for fresh flowers is included.

Designed by Kristian Sofus Hansen & Tommy Hyldahl.



101

C O P E N H A G E N



Product no: 221014

Type: Vase - Indoor

Designer / Year of design:
Kristian Sofus Hansen & Tommy Hyldahl, 2017

Colour: Bone White
Material: Ceramic

Care instructions:
Use a soft dry cloth to clean the product.
Do not use household cleaners.
Not waterproof

Dimensions: L13 / W6 / H18 CM
Country of origin: CN

Product weight: 0,40 Kgs

Packaging:
Dimensions: L24 / W12 / H20 CM
Total weight incl. product: 0,45 Kgs
Number of parcels: 1
Material: Brown cardboard

SPHERE VASE BUBL MINI

The Sphere collection has become synonymous with the visual language and the signature series of 101 Copenhagen.

The series is a family of unique silhouettes and textures gathering in a decorative and sculptural manner. Elegantly sculpted, each vase is finished with an intricate ornate detailing.

Inspired by ancient Chinese vases, a palette of faded earth tones is characteristic of the Sphere collection which was developed in close collaboration with highly skilled ceramists, ensuring the precise contrast between the smooth shapes and sharp edges.

As it is a hand glazed natural product, the colours may vary slightly and while it is not 100% waterproof, a bag for fresh flowers is included.

Designed by Kristian Sofus Hansen & Tommy Hyldahl.

