

NEW WORKS.

Product Fact Sheet - Lighting - Lantern Pendant, Large



Lantern Pendant, Large

Anderssen & Voll

The Lantern Pendant is an elegant combination of iconic form and material exploration. Inspired by the traditional Chinese rice paper lamp, the frosted glass replicates a soft illumination, whilst creating a bold and lasting form. The result is a range of pendants suitable for small intimate spaces, all the way up to large open environments.

About the designer Anderssen & Voll

Established in 2009, Anderssen & Voll create desirable and ground-breaking objects for the home environment. An approach shaped by their previous roles within pioneering Norwegian firm Norway Says, with Torbjørn Anderssen and Espen Voll being founders and running partners. Their interest in cultural forms can be seen within their elegant and understated pieces for some of Europe's most renowned brands.

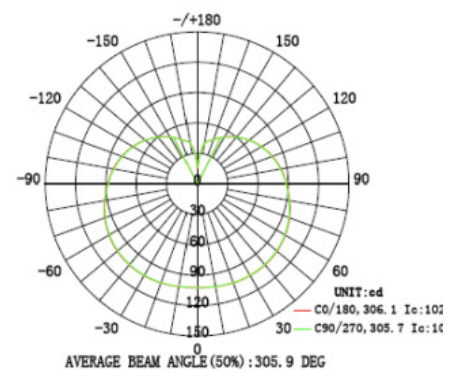
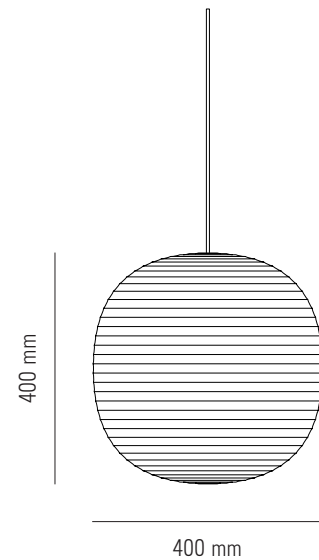
Ean No	Item No	Variation
5712826206300	20630	Frosted White Opal Glass

NEW WORKS.

Product Fact Sheet - Lighting - Lantern Pendant, Large

Specifications

Product Name	Lantern Pendant, Large
Designer	Anderssen & Voll
Year	2015
Category	Lighting
Type	Pendant
Material	Mouth blown frosted opal glass
Colour/Variant	Frosted Opal white
Product Dimensions	H: 400 x Ø: 400 mm
Packaging Dimensions	H: 450x W: 450 x D: 500 mm
Cord	White PVC, 3400 mm - (New Works Canopy included)
Weight (incl. Packaging)	5,2 kg
Light Source	E27 Max 60W / LED Max 11Ws 220-240~ 50/60 Hz
Bulb	Not Included
Certification	CE, Class II, IP20
County of origin	China
Master packaging	1



Cleaning & Care Guide

Turn off the electricity before cleaning the lamp. Wipe the glass shade with a soft dry or moist cloth. Do not use any abrasive cleaning tools, and never use strong cleaning agents such as household glass cleaner, white spirit, turpentine.

Safety Precautions

The lamp is only intended for indoor use, and consult a professionally qualified electrician if any doubt. Only use approved light bulb and following guidance - 220-240V~ 50/60Hz, E27 Max 60W / LED Max 11W. The light bulb and lamp exterior gets hot after prolonged use.



NEW WORKS.

Product Fact Sheet - Lighting - Lantern Pendant, Large

Variation

Lantern Pendant, Small (Ø 200 mm)



Lantern Pendant, Medium (Ø 300 mm)



Lantern Pendant, Large (Ø 400 mm)



NEW WORKS.

Product Fact Sheet - Lighting - Lantern Pendant, Medium



Lantern Pendant, Medium

Anderssen & Voll

The Lantern Pendant is an elegant combination of iconic form and material exploration. Inspired by the traditional Chinese rice paper lamp, the frosted glass replicates a soft illumination, whilst creating a bold and lasting form. The result is a range of pendants suitable for small intimate spaces, all the way up to large open environments.

About the designer Anderssen & Voll

Established in 2009, Anderssen & Voll create desirable and ground-breaking objects for the home environment. An approach shaped by their previous roles within pioneering Norwegian firm Norway Says, with Torbjørn Anderssen and Espen Voll being founders and running partners. Their interest in cultural forms can be seen within their elegant and understated pieces for some of Europe's most renowned brands.

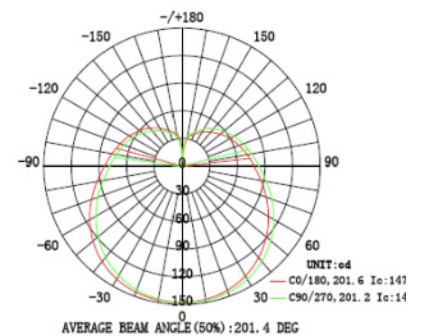
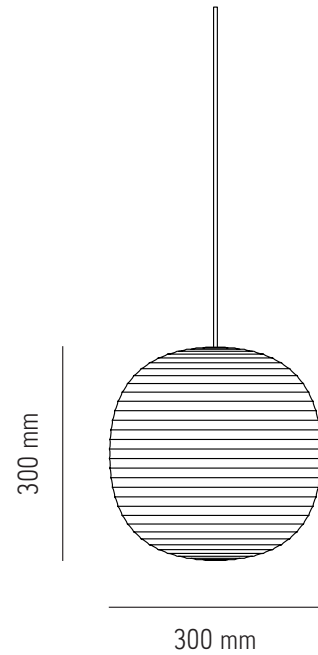
Ean No	Item No	Variation
5712826206201	20620	Frosted White Opal Glass

NEW WORKS.

Product Fact Sheet - Lighting - Lantern Pendant, Medium

Specifications

Product Name	Lantern Pendant, Medium
Designer	Anderssen & Voll
Year	2015
Category	Lighting
Type	Pendant
Material	Mouth blown frosted opal glass
Colour/Variant	Frosted Opal white
Product Dimensions	H: 300 x Ø: 300 mm
Packaging Dimensions	H: 365 x W: 365 x D: 335 mm
Cord	White PVC, 3400 mm - (New Works Canopy included)
Weight (incl. Packaging)	3,5 kg
Light Source	E27 Max 60W / LED Max 11W 220-240~ 50/60 Hz
Bulb	Not Included
Certification	CE, Class II, IP20
County of origin	China
Master packaging	1



Cleaning & Care Guide

Turn off the electricity before cleaning the lamp. Wipe the glass shade with a soft dry or moist cloth. Do not use any abrasive cleaning tools, and never use strong cleaning agents such as household glass cleaner, white spirit, turpentine.

Safety Precautions

The lamp is only intended for indoor use, and consult a professionally qualified electrician if any doubt. Only use approved light bulb and following guidance - 220-240V~ 50/60Hz, E27 Max 60W / LED Max 11W. The light bulb and lamp exterior gets hot after prolonged use.



NEW WORKS.

Product Fact Sheet - Lighting - Lantern Pendant, Medium

Variation

Lantern Pendant, Small (Ø 200 mm)



Lantern Pendant, Medium (Ø 300 mm)



Lantern Pendant, Large (Ø 400 mm)



NEW WORKS.

Product Fact Sheet - Lighting - Lantern Pendant, Small



Lantern Pendant, Small

Anderssen & Voll

The Lantern Pendant is an elegant combination of iconic form and material exploration. Inspired by the traditional Chinese rice paper lamp, the frosted glass replicates a soft illumination, whilst creating a bold and lasting form. The result is a range of pendants suitable for small intimate spaces, all the way up to large open environments.

About the designer Anderssen & Voll

Established in 2009, Anderssen & Voll create desirable and ground-breaking objects for the home environment. An approach shaped by their previous roles within pioneering Norwegian firm Norway Says, with Torbjørn Anderssen and Espen Voll being founders and running partners. Their interest in cultural forms can be seen within their elegant and understated pieces for some of Europe's most renowned brands.

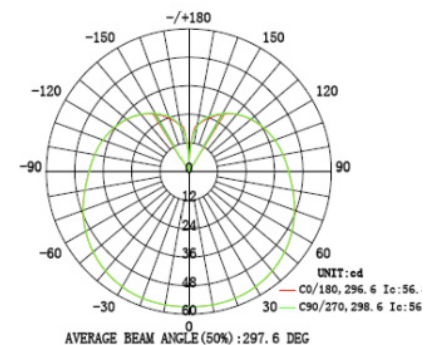
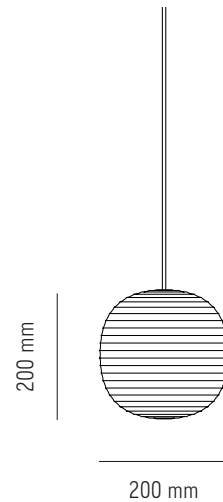
Ean No	Item No	Variation
5712826206300	20610	Frosted White Opal Glass

NEW WORKS.

Product Fact Sheet - Lighting - Lantern Pendant, Small

Specifications

Product Name	Lantern Pendant, Large
Designer	Anderssen & Voll
Year	2015
Category	Lighting
Type	Pendant
Material	Mouth blown frosted opal glass
Colour/Variant	Frosted Opal white
Product Dimensions	H: 200 x Ø: 200 mm
Packaging Dimensions	H: 250 0x W: 250 x D: 300 mm
Cord	White PVC, 3400 mm - (New Works Canopy included)
Weight (incl. Packaging)	1,8 kg
Light Source	E14 Max 40W / LED Max 7W 220-240~ 50/60 Hz
Bulb	Not Included
Certification	CE, Class II, IP20
County of origin	China
Master packaging	1



Cleaning & Care Guide

Turn off the electricity before cleaning the lamp. Wipe the glass shade with a soft dry or moist cloth. Do not use any abrasive cleaning tools, and never use strong cleaning agents such as household glass cleaner, white spirit, turpentine.

Safety Precautions

The lamp is only intended for indoor use, and consult a professionally qualified electrician if any doubt. Only use approved light bulb and following guidance - 220-240V~ 50/60Hz, E14 Max 40W / LED Max 7W. The light bulb and lamp exterior gets hot after prolonged use.



NEW WORKS.

Product Fact Sheet - Lighting - Lantern Pendant, Small

Variation

Lantern Pendant, Small (Ø 200 mm)



Lantern Pendant, Medium (Ø 300 mm)



Lantern Pendant, Large (Ø 400 mm)

