

101

C O P E N H A G E N



GHOST CHANDELIER BIG

Drawing inspiration from minimalist art, the Ghost Chandelier seamlessly melds light with sculpture, embodying a graphic lighting aesthetic. The Ghost's defining feature is its radiant white acrylic tube, which flows in various directions, forging an ambient illumination reminiscent of organic patterns.

Originating from a hand sketch, the design infuses spaces with an artistic and graphic ambiance. Its ever-evolving appearance captivates observers, morphing into diverse patterns and forms depending on one's vantage point. In any setting, Ghost asserts itself as a centerpiece.

Ghost Chandelier comes in three options, Neon, Burned Black and Chrome. Available in two sizes, the Ghost Chandelier incorporates an inbuilt LED light. This series highlights the luminous white acrylic tube that encases a durable LED light source, boasting an impressive 25,000 hours of illumination at a warm Kelvin 2400. Shifting away from the starkness typically associated with neon, these innovative lamps exude a warmer, more inviting glow, setting the ambiance for a cozy and comforting atmosphere.

The handcrafted design of the Ghost Chandelier ensures that light distribution uniquely cascades along its curvaceous tubes, resulting in it to shine brighter in some part of its curved tube. Suspended by four adjustable stainless-steel wires, the chandelier can be set to the perfect height for any room.

Designed by Kristian Sofus Hansen & Tommy Hyldahl.

Product no: 243003

Type: Chandelier
Designer / Year of design:
Kristian Sofus Hansen & Tommy Hyldahl, 2024

Colour / Material:
Burned black / Black acrylic tubes
Cable: Fabric covered cable / Black

Dimensions:
L155 / W82 / H50 CM
Cable 1: 15 - 85 CM / Cable 2: 200 CM

Country of origin: CN
Product weight: 2,4 Kgs

Packaging:
Dimensions: L122 / W92 / H20 CM
Total weight incl. product: 3,12 Kgs
Number of parcels: 1
Material: Brown cardboard

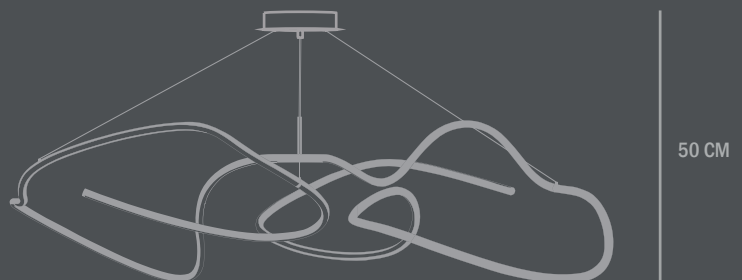
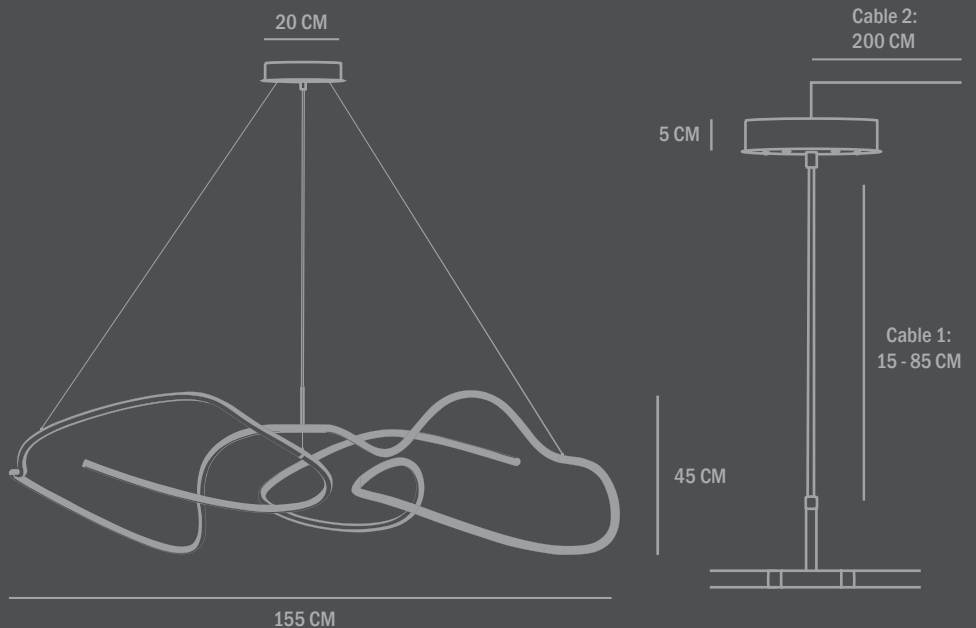
Light source:
Inbuilt LED light
LED bulbs cannot be changed or replaced
Burning hours: 25,000 hours
IP rating: 20 Max Watt: 25
Kelvin: 2400 Lumen: 2059

Please note that the lamp has an inbuilt dimmable driver. For the dimmer to function correctly a dimmable system or switch is required. Without a dimmable system, the lamp turns on and off.

The handcrafted design of the Ghost Chandelier ensures that light distribution cascades uniquely along its curvaceous tubes, resulting in brighter illumination in some parts of its curved structure.

Care instructions:
Use a soft dry cloth to clean the product.
Do not use household cleaners.

Suitable for rooms with a height of 230-320 CM.
Certificates: CE, UKCA, LVD, EMC
Does not comply with US Standards.



101

C O P E N H A G E N



GHOST CHANDELIER BIG

Drawing inspiration from minimalist art, the Ghost Chandelier seamlessly melds light with sculpture, embodying a graphic lighting aesthetic. The Ghost's defining feature is its radiant white acrylic tube, which flows in various directions, forging an ambient illumination reminiscent of organic patterns.

Originating from a hand sketch, the design infuses spaces with an artistic and graphic ambiance. Its ever-evolving appearance captivates observers, morphing into diverse patterns and forms depending on one's vantage point. In any setting, Ghost asserts itself as a centerpiece.

Ghost Chandelier comes in three options, Neon, Burned Black and Chrome. Available in two sizes, the Ghost Chandelier incorporates an inbuilt LED light. This series highlights the luminous white acrylic tube that encases a durable LED light source, boasting an impressive 25,000 hours of illumination at a warm Kelvin 2400. Shifting away from the starkness typically associated with neon, these innovative lamps exude a warmer, more inviting glow, setting the ambiance for a cozy and comforting atmosphere.

The handcrafted design of the Ghost Chandelier ensures that light distribution uniquely cascades along its curvaceous tubes, resulting in it to shine brighter in some part of its curved tube. Suspended by four adjustable stainless-steel wires, the chandelier can be set to the perfect height for any room.

Designed by Kristian Sofus Hansen & Tommy Hyldahl.

Product no: 233011

Type: Chandelier

Designer / Year of design:

Kristian Sofus Hansen & Tommy Hyldahl, 2022

Colour / Material:

Bronze metal / White acrylic tubes

Cable: Fabric covered cable / Black

Dimensions:

L156 / W82 / H52 CM

Cable 1: 15 - 85 CM / Cable 2: 200 CM

Country of origin: CN

Product weight: 3,69 Kgs

Packaging:

Dimensions: L119 / W84 / H28 CM

Total weight incl. product: 9,67 Kgs

Number of parcels: 1

Material: Brown cardboard

Light source:

Inbuilt LED light

LED bulbs cannot be changed or replaced

Burning hours: 25,000 hours

IP rating: 20 Max Watt: 25

Kelvin: 2400 Lumen: 2059

Please note that the lamp has an inbuilt dimmable driver.

For the dimmer to function correctly a dimmable system or switch is required.

Without a dimmable system, the lamp turns on and off.

The handcrafted design of the Ghost Chandelier ensures that light distribution cascades uniquely along its curvaceous tubes, resulting in brighter illumination in some parts of its curved structure.

Care instructions:

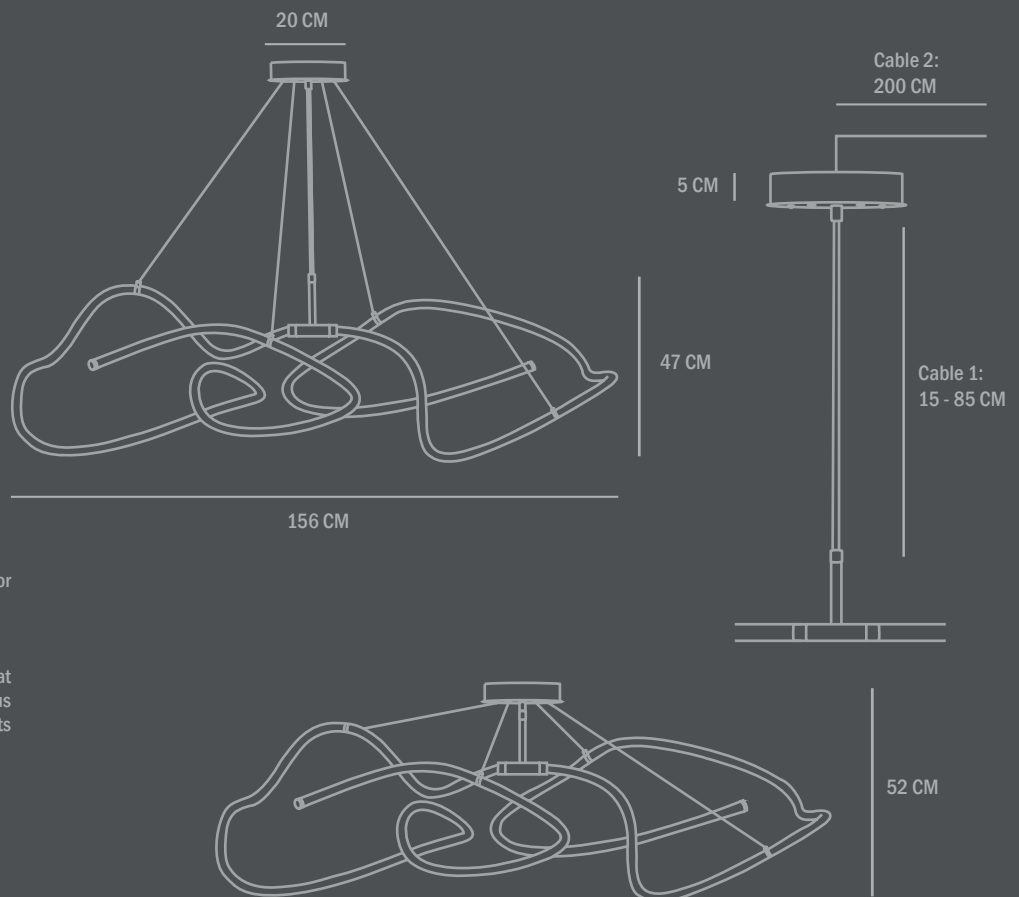
Use a soft dry cloth to clean the product.

Do not use household cleaners.

Suitable for rooms with a height of 230-320 CM.

Certificates: CE, UKCA, LVD, EMC

Does not comply with US Standards.



101

C O P E N H A G E N



GHOST CHANDELIER BIG

Drawing inspiration from minimalist art, the Ghost Chandelier seamlessly melds light with sculpture, embodying a graphic lighting aesthetic. The Ghost's defining feature is its radiant white acrylic tube, which flows in various directions, forging an ambient illumination reminiscent of organic patterns.

Originating from a hand sketch, the design infuses spaces with an artistic and graphic ambience. Its ever-evolving appearance captivates observers, morphing into diverse patterns and forms depending on one's vantage point. In any setting, Ghost asserts itself as a centerpiece.

Ghost Chandelier comes in three options, Neon, Burned Black and Chrome. Available in two sizes, the Ghost Chandelier incorporates an inbuilt LED light. This series highlights the luminous white acrylic tube that encases a durable LED light source, boasting an impressive 25,000 hours of illumination at a warm Kelvin 2400. Shifting away from the starkness typically associated with neon, these innovative lamps exude a warmer, more inviting glow, setting the ambience for a cozy and comforting atmosphere.

The handcrafted design of the Ghost Chandelier ensures that light distribution uniquely cascades along its curvaceous tubes, resulting in it to shine brighter in some part of its curved tube. Suspended by four adjustable stainless-steel wires, the chandelier can be set to the perfect height for any room.

Designed by Kristian Sofus Hansen & Tommy Hyl Dahl.

Product no: 242013

Type: Chandelier

Designer / Year of design:

Kristian Sofus Hansen & Tommy Hyl Dahl, 2024

Colour / Material:

Chrome / White acrylic tubes

Cable: Fabric covered cable / Black

Dimensions:

L155 / W82 / H50 CM

Cable 1: 15 - 85 CM / Cable 2: 200 CM

Country of origin: CN

Product weight: 2,4 Kgs

Packaging:

Dimensions: L122 / W92 / H20 CM

Total weight incl. product: 3,12 Kgs

Number of parcels: 1

Material: Brown cardboard

Light source:

Inbuilt LED light

LED bulbs cannot be changed or replaced

Burning hours: 25,000 hours

IP rating: 20 Max Watt: 25

Kelvin: 2400 Lumen: 2059

Please note that the lamp has an inbuilt dimmable driver. For the dimmer to function correctly a dimmable system or switch is required. Without a dimmable system, the lamp turns on and off. The handcrafted design of the Ghost Chandelier ensures that light distribution cascades uniquely along its curvaceous tubes, resulting in brighter illumination in some parts of its curved structure.

Care instructions:

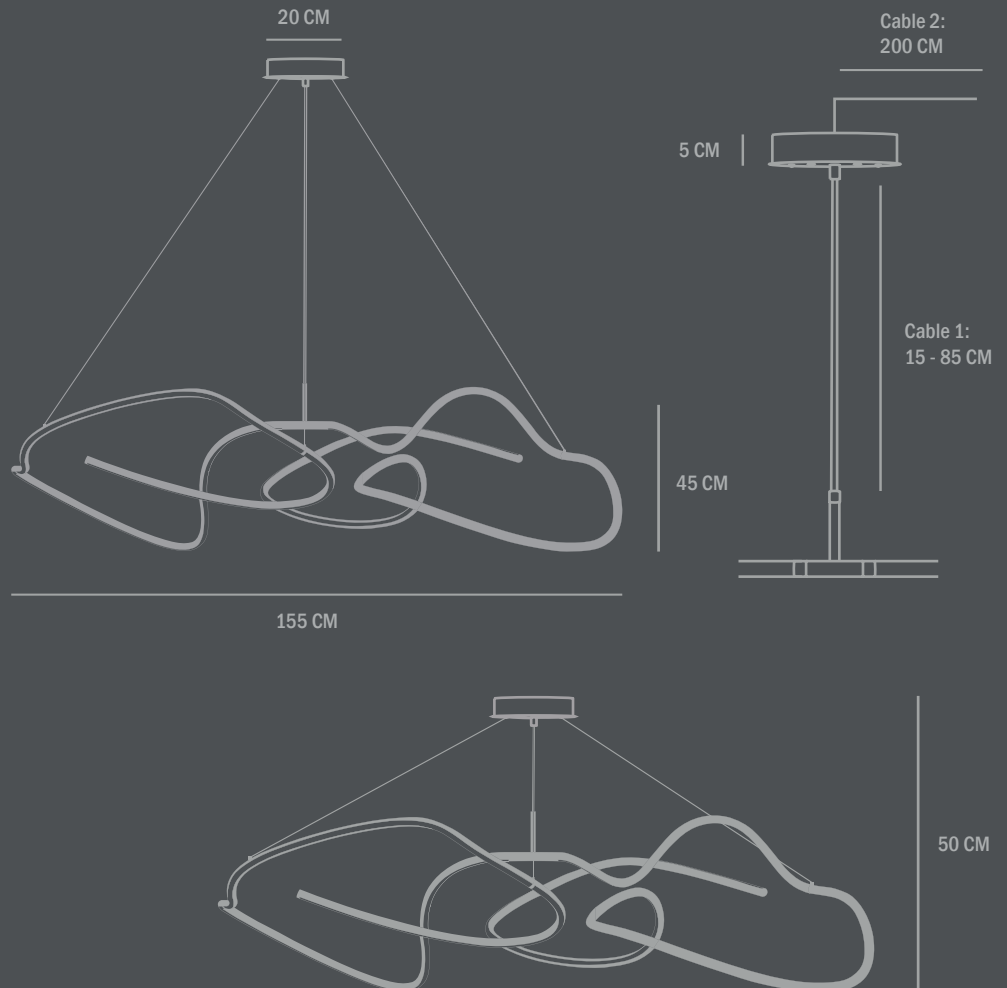
Use a soft dry cloth to clean the product.

Do not use household cleaners.

Suitable for rooms with a height of 230-320 CM.

Certificates: CE, UKCA, LVD, EMC

Does not comply with US Standards.



101

C O P E N H A G E N



GHOST CHANDELIER MINI

Drawing inspiration from minimalist art, the Ghost Chandelier seamlessly melds light with sculpture, embodying a graphic lighting aesthetic. The Ghost's defining feature is its radiant white acrylic tube, which flows in various directions, forging an ambient illumination reminiscent of organic patterns.

Originating from a hand sketch, the design infuses spaces with an artistic and graphic ambiance. Its ever-evolving appearance captivates observers, morphing into diverse patterns and forms depending on one's vantage point. In any setting, Ghost asserts itself as a centerpiece.

Ghost Chandelier comes in three options, Neon, Burned Black and Chrome. Available in two sizes, the Ghost Chandelier incorporates an inbuilt LED light. This series highlights the luminous white acrylic tube that encases a durable LED light source, boasting an impressive 25,000 hours of illumination at a warm Kelvin 2400. Shifting away from the starkness typically associated with neon, these innovative lamps exude a warmer, more inviting glow, setting the ambiance for a cozy and comforting atmosphere.

The handcrafted design of the Ghost Chandelier ensures that light distribution uniquely cascades along its curvaceous tubes, resulting in it to shine brighter in some part of its curved tube. Suspended by four adjustable stainless-steel wires, the chandelier can be set to the perfect height for any room.

Designed by Kristian Sofus Hansen & Tommy Hyldahl.

Product no: 243004

Type: Chandelier

Designer / Year of design:
Kristian Sofus Hansen & Tommy Hyldahl, 2024

Colour / Material:
Burned black / Black acrylic tubes
Cable: Fabric covered cable / Black

Dimensions:
L116 / W62 / H40 CM
Cable 1: 15 - 85 CM / Cable 2: 200 CM

Country of origin: CN
Product weight: 1,9 Kgs

Packaging:
Dimensions: L75 / W56 / H20 CM
Total weight incl. product: 2,78 Kgs
Number of parcels: 1
Material: Brown cardboard

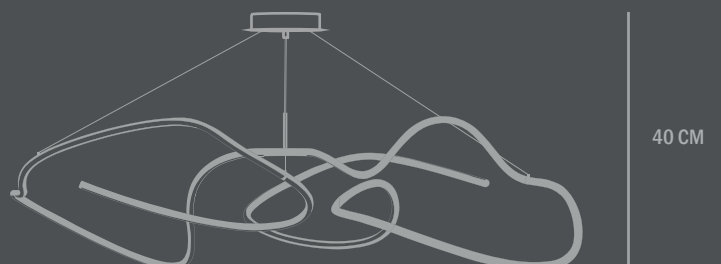
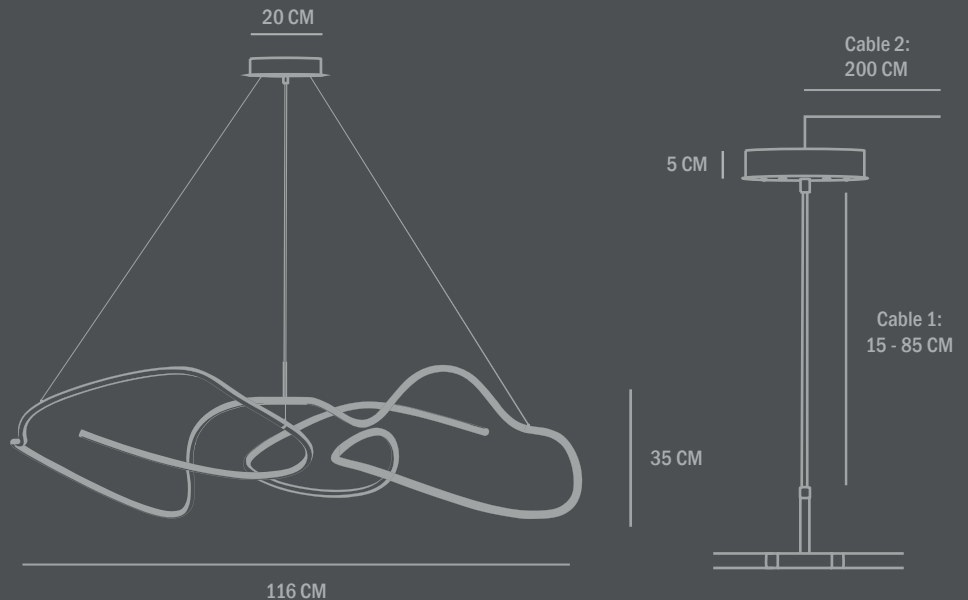
Light source:
Inbuilt LED light
LED bulbs cannot be changed or replaced
Burning hours: 25,000 hours
IP rating: 20 Max Watt: 25
Kelvin: 2400 Lumen: 1722

Please note that the lamp has an inbuilt dimmable driver. For the dimmer to function correctly a dimmable system or switch is required. Without a dimmable system, the lamp turns on and off.

The handcrafted design of the Ghost Chandelier ensures that light distribution cascades uniquely along its curvaceous tubes, resulting in brighter illumination in some parts of its curved structure.

Care instructions:
Use a soft dry cloth to clean the product.
Do not use household cleaners.

Suitable for rooms with a height of 230-320 CM.
Certificates: CE, UKCA, LVD, EMC
Does not comply with US Standards.



101

C O P E N H A G E N



GHOST CHANDELIER MINI

Drawing inspiration from minimalist art, the Ghost Chandelier seamlessly melds light with sculpture, embodying a graphic lighting aesthetic. The Ghost's defining feature is its radiant white acrylic tube, which flows in various directions, forging an ambient illumination reminiscent of organic patterns.

Originating from a hand sketch, the design infuses spaces with an artistic and graphic ambiance. Its ever-evolving appearance captivates observers, morphing into diverse patterns and forms depending on one's vantage point. In any setting, Ghost asserts itself as a centerpiece.

Ghost Chandelier comes in three options, Neon, Burned Black and Chrome. Available in two sizes, the Ghost Chandelier incorporates an inbuilt LED light. This series highlights the luminous white acrylic tube that encases a durable LED light source, boasting an impressive 25,000 hours of illumination at a warm Kelvin 2400. Shifting away from the starkness typically associated with neon, these innovative lamps exude a warmer, more inviting glow, setting the ambiance for a cozy and comforting atmosphere.

The handcrafted design of the Ghost Chandelier ensures that light distribution uniquely cascades along its curvaceous tubes, resulting in it to shine brighter in some part of its curved tube. Suspended by four adjustable stainless-steel wires, the chandelier can be set to the perfect height for any room.

Designed by Kristian Sofus Hansen & Tommy Hyldahl.

Product no: 233012

Type: Chandelier

Designer / Year of design:

Kristian Sofus Hansen & Tommy Hyldahl, 2022

Colour / Material:

Bronze metal / White acrylic tubes

Cable: Fabric covered cable / Black

Dimensions:

L116 / W62 / H38 CM

Cable 1: 15 - 85 CM / Cable 2: 200 CM

Country of origin: CN

Product weight: 3,3 Kgs

Packaging:

Dimensions: L83 / W74 / H24 CM

Total weight incl. product: 8,9 Kgs

Number of parcels: 1

Material: Brown cardboard

Light source:

Inbuilt LED light

LED bulbs cannot be changed or replaced

Burning hours: 25,000 hours

IP rating: 20 Max Watt: 25

Kelvin: 2400 Lumen: 1722

Please note that the lamp has an inbuilt dimmable driver.

For the dimmer to function correctly a dimmable system or switch is required.

Without a dimmable system, the lamp turns on and off.

The handcrafted design of the Ghost Chandelier ensures that light distribution cascades uniquely along its curvaceous tubes, resulting in brighter illumination in some parts of its curved structure.

Care instructions:

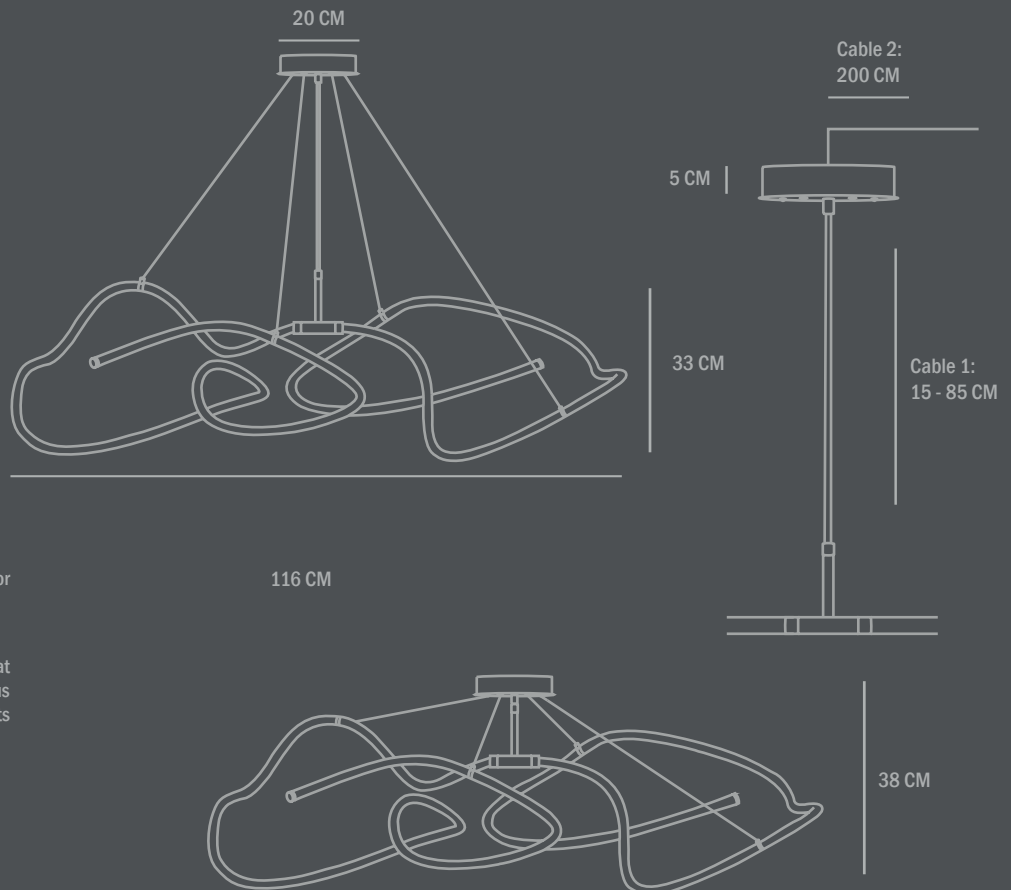
Use a soft dry cloth to clean the product.

Do not use household cleaners.

Suitable for rooms with a height of 230-320 CM.

Certificates: CE, UKCA, LVD, EMC

Does not comply with US Standards.



101

C O P E N H A G E N



GHOST CHANDELIER MINI

Drawing inspiration from minimalist art, the Ghost Chandelier seamlessly melds light with sculpture, embodying a graphic lighting aesthetic. The Ghost's defining feature is its radiant white acrylic tube, which flows in various directions, forging an ambient illumination reminiscent of organic patterns.

Originating from a hand sketch, the design infuses spaces with an artistic and graphic ambience. Its ever-evolving appearance captivates observers, morphing into diverse patterns and forms depending on one's vantage point. In any setting, Ghost asserts itself as a centerpiece.

Ghost Chandelier comes in three options, Neon, Burned Black and Chrome. Available in two sizes, the Ghost Chandelier incorporates an inbuilt LED light. This series highlights the luminous white acrylic tube that encases a durable LED light source, boasting an impressive 25,000 hours of illumination at a warm Kelvin 2400. Shifting away from the starkness typically associated with neon, these innovative lamps exude a warmer, more inviting glow, setting the ambience for a cozy and comforting atmosphere.

The handcrafted design of the Ghost Chandelier ensures that light distribution uniquely cascades along its curvaceous tubes, resulting in it to shine brighter in some part of its curved tube. Suspended by four adjustable stainless-steel wires, the chandelier can be set to the perfect height for any room.

Designed by Kristian Sofus Hansen & Tommy Hylดาห์l.

Product no: 242014

Type: Chandelier

Designer / Year of design:

Kristian Sofus Hansen & Tommy Hylดาห์l, 2024

Colour / Material:

Chrome / White acrylic tubes

Cable: Fabric covered cable / Black

Dimensions:

L116 / W62 / H40 CM

Cable 1: 15 - 85 CM / Cable 2: 200 CM

Country of origin: CN

Product weight: 1,9 Kgs

Packaging:

Dimensions: L75 / W56 / H20 CM

Total weight incl. product: 2,78 Kgs

Number of parcels: 1

Material: Brown cardboard

Light source:

Inbuilt LED light

LED bulbs cannot be changed or replaced

Burning hours: 25,000 hours

IP rating: 20 Max Watt: 25

Kelvin: 2400 Lumen: 1722

Please note that the lamp has an inbuilt dimmable driver. For the dimmer to function correctly a dimmable system or switch is required. Without a dimmable system, the lamp turns on and off. The handcrafted design of the Ghost Chandelier ensures that light distribution cascades uniquely along its curvaceous tubes, resulting in brighter illumination in some parts of its curved structure.

Care instructions:

Use a soft dry cloth to clean the product.

Do not use household cleaners.

Suitable for rooms with a height of 230-320 CM.

Certificates: CE, UKCA, LVD, EMC

Does not comply with US Standards.

