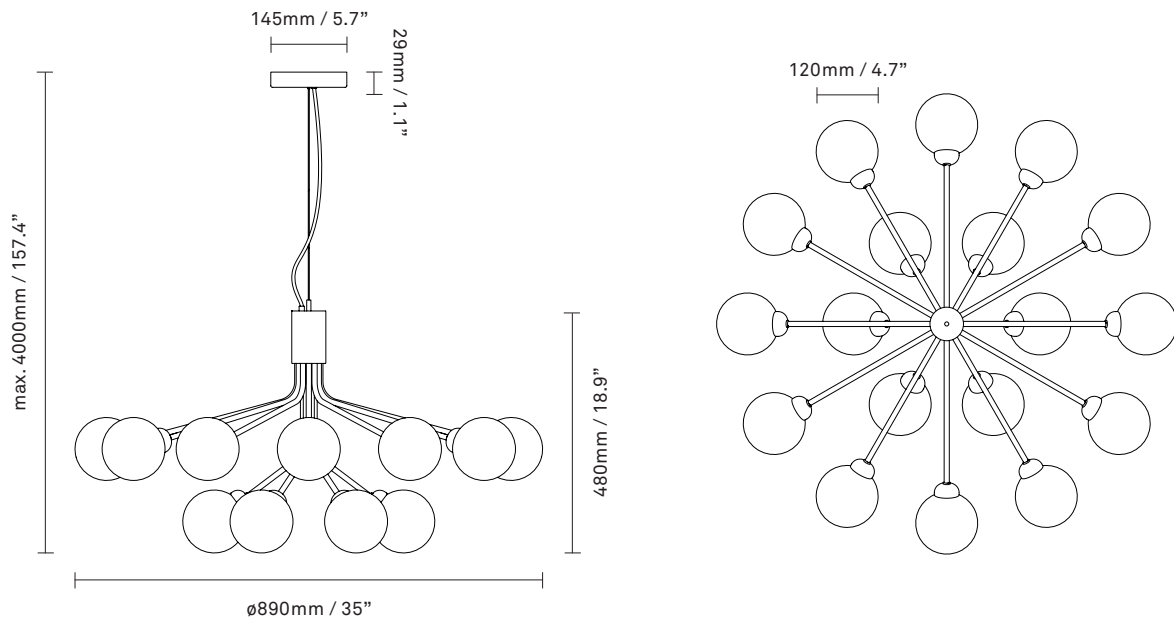


NUURA



APIALES 18
satin black / optic smoked

Design: Sofie Refer, 2022



Apiales 18 is a modern chandelier, highly suitable for serving as the focal point in a dining room or any larger space. The sleek metal construction takes inspiration from wildflowers, dressing the single stem and branched arms of the chandelier in a satin black finish. 18 optic smoked glass globes in a black transparent colour are decorated with a soft, diced pattern on the inside.

Explore the rest of the Apiales collection on our website, [here](#)

Product no.: EU - 2051012 / US - 3051012

Type: Ceiling light - indoor

Colour: Glass: optic smoked / Metal: satin black
Cable: black

Materials: Anodized metal, mouth-blown glass, fabric covered cable

Dimensions: \varnothing 890mm / 35in x 480mm / 18.9in
Ceiling plate: \varnothing 145mm / 5.7in x 29mm / 1.1in
Fabric cable: 4000mm / 157.4in
Glass: \varnothing 120mm / 4.7in

Weight: Product incl. ceiling plate: 7390 g

Packaging: Dimensions: L: 796mm / 31.3in x W: 796mm / 31.3in x H: 520mm / 20.4in
Weight: 6620 g
Total weight incl. product: 14010 g
Number of parcels: 1
Material: Brown cardboard.

Certifications: CE, ETL, IP20, Class I

For information about IP ratings, click [here](#)

Cleaning: Use a soft dry cloth to clean the product.
Do not use household cleaners.

Light source: Socket: G9
Max wattage: 5W LED
Voltage (V): 220-240V / 120V

See recommended light source [here](#)

Light source not included

Dimmable if installed with appropriate dimmable LED light source(s) suitable for your dimmer circuit.

Light source can be added to delivery on request or via our webshop [nuura.com](#).

Works with appropriate lighting control module. Module can be added to delivery on request.

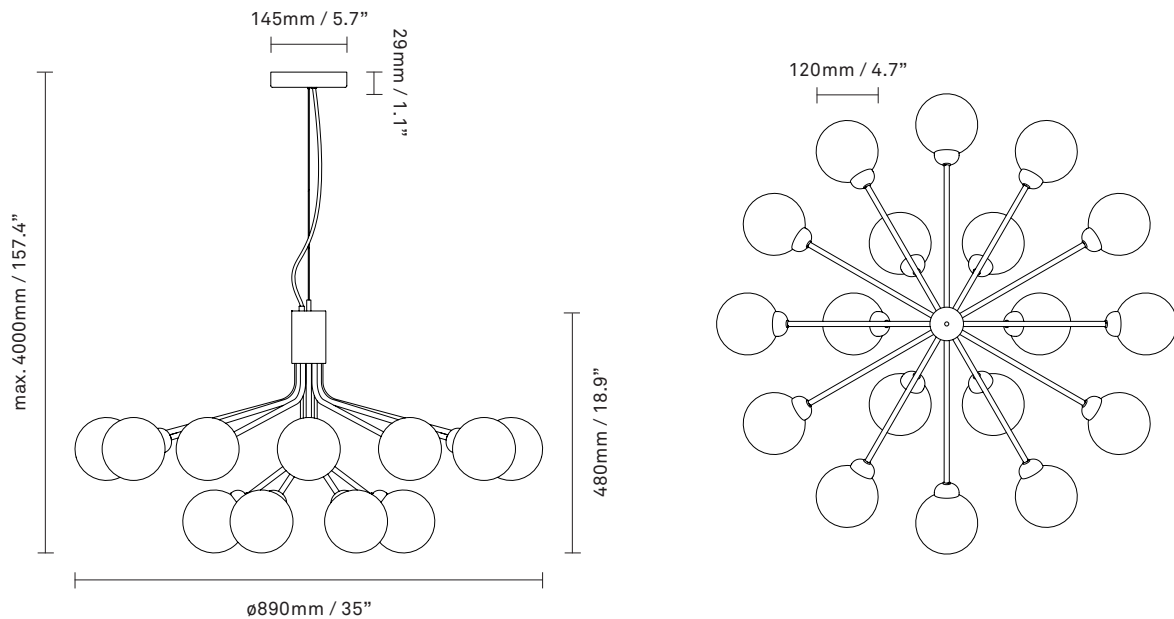
Find our recommendations [here](#)

NUURA



APIALES 18
brushed brass / optic gold

Design: Sofie Refer, 2022



Apiales 18 is a modern reinterpretation of the chandelier with references to Nordic nature. Inspired by umbellifer flowers, the brushed brass metal arms unfold like flower stalks from which light is spread with grace through the optic gold glass globes. The Apiales 18 chandelier can be installed as a centrepiece in larger spaces such as the foyer, a living room or over a large dining table.

Explore the rest of the Apiales collection on our website, [here](#)

Product no.: EU - 2051011 / US - 3051011

Type: Ceiling light - indoor

Colour: Glass: optic gold / Metal: brushed brass
Cable: gold

Materials: Anodized metal, mouth-blown glass, fabric covered cable

Dimensions: \varnothing 890mm / 35in x 480mm / 18.9in
Ceiling plate: \varnothing 145mm / 5.7in x 29mm / 1.1in
Cable length: 4000mm / 157.4in
Glass: \varnothing 120mm / 4.7in

Weight: Product incl. ceiling plate: 7390 g

Packaging: Dimensions: L: 796mm / 31.3in x W: 796mm / 31.3in x H: 520mm / 20.4in
Weight: 6620 g
Total weight incl. product: 14010 g
Number of parcels: 1
Material: Brown cardboard.

Certifications: CE, ETL, IP20, Class I

For information about IP ratings, click [here](#)

Cleaning: Use a soft dry cloth to clean the product.
Do not use household cleaners.

Light source: Socket: G9
Max wattage: 5W LED
Voltage (V): 220-240V / 120V

See recommended light source [here](#)

Light source not included

Dimmable if installed with appropriate dimmable LED light source(s) suitable for your dimmer circuit.

Light source can be added to delivery on request or via our webshop [nuura.com](#).

Works with appropriate lighting control module. Module can be added to delivery on request.

Find our recommendations [here](#)

NUURA



APIALES 18 Opal

Design: Sofie Refer, 2019. EU-model.

Apiales 18 in mouth-blown Opal White glass and Satin Black finish. Incl. Ceiling plate.

With inspiration from flowers, Sofie Refer has designed the chandelier collection, Apiales.

The collection consists of chandeliers with 9 or 18 mouth-blown glass globes and are available in golden Brushed Brass finish or the smooth Satin Black. A ceiling mounted version with 9 globes is also available in Brushed Brass.

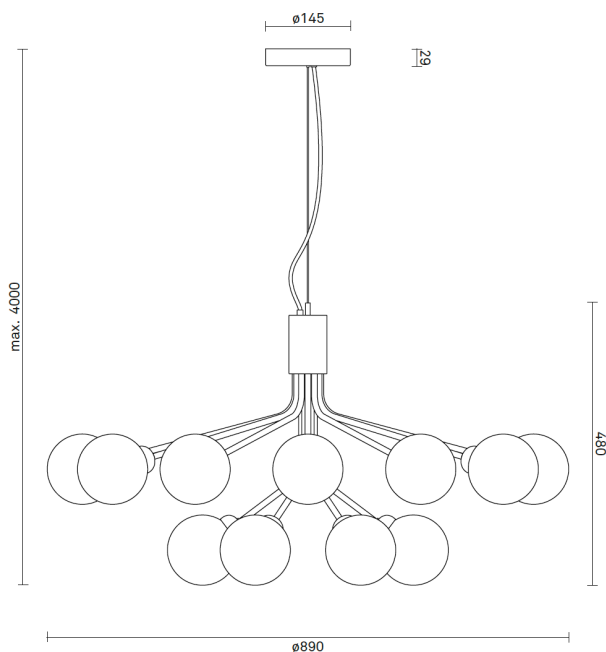
From a specially-produced canopy, the arms unfold like flower stalks from which light is spread with grace. Suitable for residential homes, restaurants and hotels.

Apiales 18 with its 89 cm in diameter, will look great as the centrepiece in the foyer, a large living room or over a large dining table.

Apiales collection:

The Apiales collection includes the following products:

- **Apiales 9:** Satin Black/Brushed brass, Opal white/Smoked Black/Gold Glass
- **Apiales 9 Ceiling:** Satin Black/Brushed brass, Opal white/Smoked Black/Gold Glass
- **Apiales 18:** Satin Black/Brushed brass, Opal white/Smoked Black/Gold Glass



TECHNICAL INFO

Product no.: 05180524

Type: Suspension - Indoor

Colour:

Glass: Opal White

Metal: Satin Black

Cable: Black

Materials:

Anodized metal

Mouth-blown glass

Fabric covered cable

Dimensions:

ø890mm x 480mm

Ceiling plate: ø145mm x 29mm

Fabric cable - Length: 4000mm

Product weight:

Product incl. ceiling plate: 7390 g

Ceiling plate: 400 g

Packaging:

Dimensions: L: 796mm x W: 796mm x H: 520mm

Weight: 6620 g

Total weight incl. product: 14010 g

Number of parcels: 1

Material: Brown cardboard.

Packaging - weight - material:

Cardboard outside: - g

Cardboard inside: - g

Bubble wrap: - g

Plastic bag: - g

Cleaning:

Use a soft dry cloth to clean the product.

Do not use household cleaners.

Certifications and labels:

CE - CE-certified

IP20 - IP20

□ - Class II

Light source:

Socket: G9

Max wattage: 18 x 3.2W (Bulb not included)

Voltage (V): 220-240V

Recommended light source:

Illumination G9 (344-09), 3.6W LED,
2700K, 400lm

Energy efficiency class:

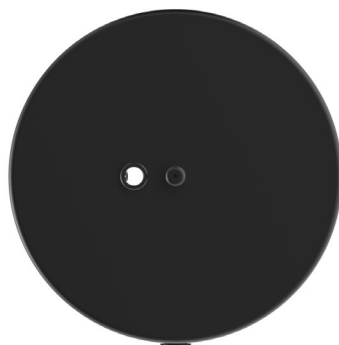
A++ (with recommended bulb)

Dimmability

Can be fitted with an aligned dimmer.

DALI compatible

Included ceiling plate:



NUURA



APIALES 18 Brushed Brass

Design: Sofie Refer, 2020. EU-model.

Apiales 18 in mouth-blown Opal white glass and Brushed Brass finish. Incl. Ceiling plate.

With inspiration from flowers, Sofie Refer has designed the chandelier collection, Apiales.

The collection consists of chandeliers with 9 or 18 mouth-blown glass globes and are available in golden Brushed Brass finish or the smooth Satin Black. A ceiling mounted version with 9 globes is also available.

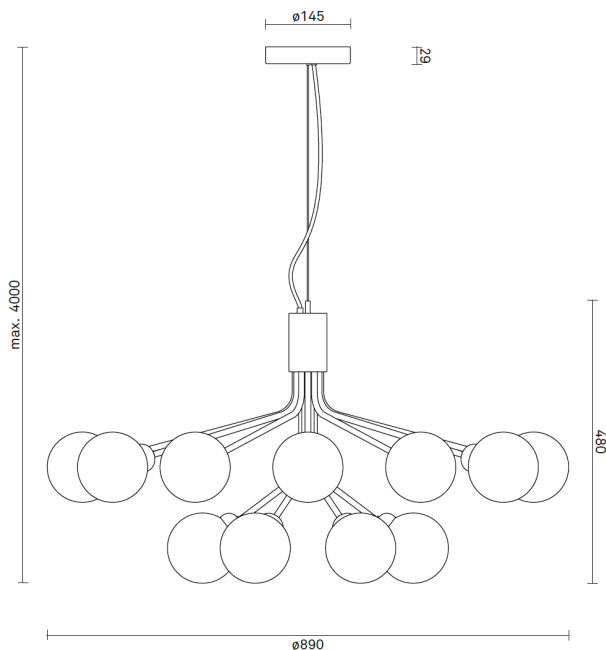
From a specially-produced canopy, the arms unfold like flower stalks from which light is spread with grace. Suitable for residential homes, restaurants and hotels.

Apiales 18 with its 89 cm in diameter, will look great as the centrepiece in the foyer, a large living room or over a large dining table.

Apiales collection:

The Apiales collection includes the following products:

- **Apiales 9:** Satin Black/Brushed brass, Opal white/Smoked Black/Gold Glass
- **Apiales 9 Ceiling:** Satin Black/Brushed brass, Opal white/Smoked Black/Gold Glass
- **Apiales 18:** Satin Black/Brushed brass, Opal white/Smoked Black/Gold Glass



TECHNICAL INFO

Product no.: 05180424

Type: Suspension - Indoor

Colour:

Glass: Opal White

Metal: Brushed Brass Finish

Cable: Gold

Materials:

Anodized metal

Mouth-blown glass

Fabric covered cable

Dimensions:

ø890mm x 480mm

Ceiling plate: ø145mm x 29mm

Fabric cable - Length: 4000mm

Product weight:

Product incl. ceiling plate: 7390 g

Ceiling plate: 400 g

Packaging:

Dimensions: L: 796mm x W: 796mm x H: 520mm

Weight: 6620 g

Total weight incl. product: 14010 g

Number of parcels: 1

Material: Brown cardboard.

Packaging - weight - material:

Cardboard outside: - g

Cardboard inside: - g

Bubble wrap: - g

Plastic bag: - g

Cleaning:

Use a soft dry cloth to clean the product.

Do not use household cleaners.

Certifications and labels:

CE - CE-certified

IP20 - IP20

□ - Class II

Light source:

Socket: G9

Max wattage: 18 x 3.2W (Bulb not included)

Voltage (V): 220-240V

Recommended light source:

Illumination G9 (344-09), 3.6W LED, 2700K, 400lm

Energy efficiency class:

A++ (with recommended bulb)

Dimmability

Can be fitted with an aligned dimmer.

DALI compatible

Included ceiling plate:

