



## ILE CLUB OUTDOOR | OUTDOOR

design Piero Lissoni

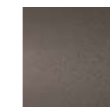
Sofas and modular elements of different dimensions, for outdoor use, consisting of a seat-chassis in lacquered Stainless Steel AISI 316, sprung with polypropylene slats with a fiberglass core (GOODSIDE®). Armrests and backrest structure, screwed to the seat chassis, in multilayer panel for outdoor use;

Seat cushion, armrest and backrest padded with differentiated density open cell polyurethane foam covered with drainage fabric. AISI 316 Stainless Steel square-section tubular base with matt satin finish or lacquered with epoxy powder coating Gunmetal grey colour or burnished colour. Upholstery with outdoor fabrics only, fully removable by zippers and Velcro fastenings. Seat depth: 66 cm.

### Structure



Stainless Steel  
with Matt Satin  
Finish



Burnished  
Painting



Gunmetal Grey  
Lacquering

### Notes

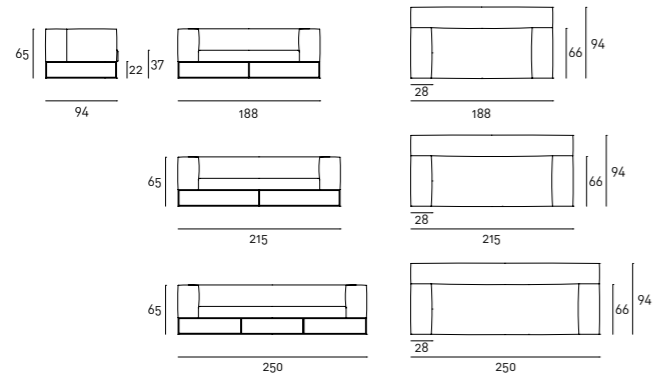
For information on the compatibility of the collection's coverings with each product, please refer to the [compliance sheet](#) provided in the "Materials" section of the website.

For composition with different elements, please attach a general sketch to the order.

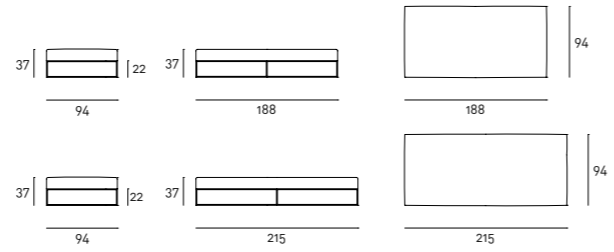
We recommend placing the product on terraces or verandas to guarantee its durability over the years. It is recommended to use a "Protective Cover" to improve the longevity of the product. For further information about the dedicated maintenance, please refer to the technical sheet available in the "Materials" section on our website.

Technical Drawings

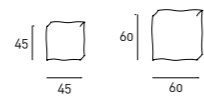
Sofa



Bench



Loose Cushion



Terminal Element

