



LORENTZ LOW TABLE

design David Lopez Quincoces

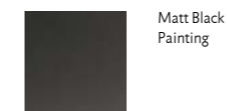
Coffee tables, 72x96 cm and 96x96 cm available as freestanding elements or to be used in composition, with HPL top fixed to the padded base, upholstered in fabrics and leathers in collection, both fully removable by zippers and Velcro fastenings.

Matching trays available in the dimensions 40x60 h.3,5 cm made of MDF with bottom always paired in Cuoietto 90 in combination with fabric sofas. For leather sofas, tray paired in Cuoietto leather in combination with the chosen leather colour.

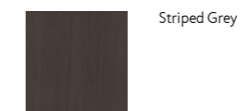
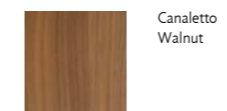
Table tops and tray are both veneered with Canaletto walnut slabs with water-based varnish, or in Striped Gray multilaminar wood veneer, with acrylic varnish.

Black aluminium feet Ø35 mm adjustable in height up to 3 cm, with black plastic tips

Feet



Top



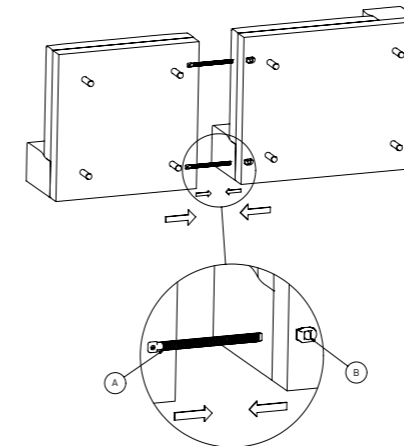
Technical Drawings

Coffee table



Notes

The coffee table is assembled in composition using hooks, as shown in the drawing below.



For compositions with tables and different elements, please attach a sketch to the order.

Wood is a living material; therefore, it can have slight color and dimension changes. The presence of any non-homogeneous color shades is not to be considered a defect but a quality. Please note that the direct sunlight exposure may alter the wood color; therefore, we recommend the periodic position shift of the objects placed on the furniture for the first months to avoid differences in shades between exposed and covered portions.

STRIPED GREY: it is a decorative multilaminar wood veneer, always finished with a transparent acrylic painting, which features exclusive patterns reproducing the natural characteristics of wood. We would like to remind you that, being a natural and living wooden material, it may present non-homogeneous colour shades, which are peculiarities of the material itself.

For information on the compatibility of the collection's coverings with each product, please refer to the [compliance sheet](#) provided in the "Materials" section of the website.

For leather coverings the "Leather A" or "Leather B" Maintenance Kit is included with the product.



