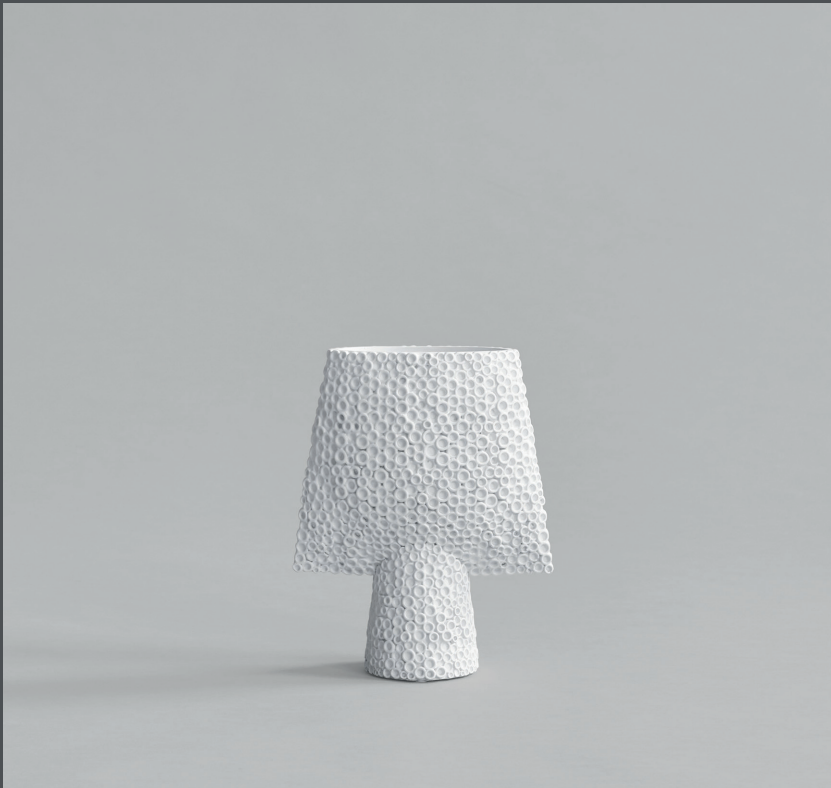


# 101

C O P E N H A G E N



Product no: 231012

Type: Vase - Indoor

Designer / Year of design:  
Kristian Sofus Hansen & Tommy Hyldahl, 2021

Colour: Shisen - Bone White  
Material: Ceramic

Care instructions:  
Use a soft dry cloth to clean the product.  
Do not use household cleaners.  
Not waterproof

Dimensions: L20 / W9 / H25 CM  
Country of origin: CN

Product weight: 1,2 Kgs

Packaging:  
Dimensions: L25 / W15 / H31 CM  
Total weight incl. product: 1,4 Kgs  
Number of parcels: 1  
Material: Brown cardboard

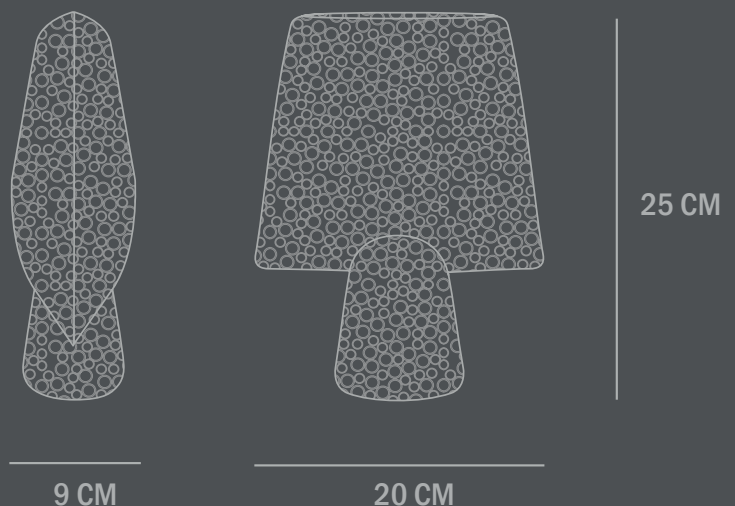
## SPHERE VASE SQUARE SHISEN MINI

The Sphere collection has become synonymous with the visual language and the signature series of 101 Copenhagen. The series is a family of unique silhouettes and textures gathering in a decorative and sculptural manner. Elegantly sculpted, each vase is finished with an intricate ornate detailing. Inspired by ancient Chinese vases, a palette of faded earth tones is characteristic of the Sphere collection which was developed in close collaboration with highly skilled ceramists, ensuring the precise contrast between the smooth shapes and sharp edges. As it is a hand glazed natural product, the colours may vary slightly and while it is not 100% waterproof, a bag for fresh flowers is included.

Sphere Shisen is a new edition to the Sphere series, offering a unique detailed finish, with the attempt to create a unique surface of hundreds of small circles fading into a tactile pattern. Shisen is Japanese for a mesh or the way of seeing things.

As it is a hand glazed nature product, the colours may vary slightly and as it is not 100% waterproof, a bag for fresh flowers is included.

Designed by Kristian Sofus Hansen & Tommy Hyldahl.



# 101

C O P E N H A G E N

## SPHERE VASE SQUARE SHISEN MINI

The Sphere collection has become synonymous with the visual language and the signature series of 101 Copenhagen. The series is a family of unique silhouettes and textures gathering in a decorative and sculptural manner. Elegantly sculpted, each vase is finished with an intricate ornate detailing. Inspired by ancient Chinese vases, a palette of faded earth tones is characteristic of the Sphere collection which was developed in close collaboration with highly skilled ceramists, ensuring the precise contrast between the smooth shapes and sharp edges. As it is a hand glazed natural product, the colours may vary slightly and while it is not 100% waterproof, a bag for fresh flowers is included.

Sphere Shisen is a new edition to the Sphere series, offering a unique detailed finish, with the attempt to create a unique surface of hundreds of small circles fading into a tactile pattern. Shisen is Japanese for a mesh or the way of seeing things.

As it is a hand glazed nature product, the colours may vary slightly and as it is not 100% waterproof, a bag for fresh flowers is included.

Designed by Kristian Sofus Hansen & Tommy Hyldahl.



Product no: 231016

Type: Vase - Indoor

Designer / Year of design:  
Kristian Sofus Hansen & Tommy Hyldahl, 2021

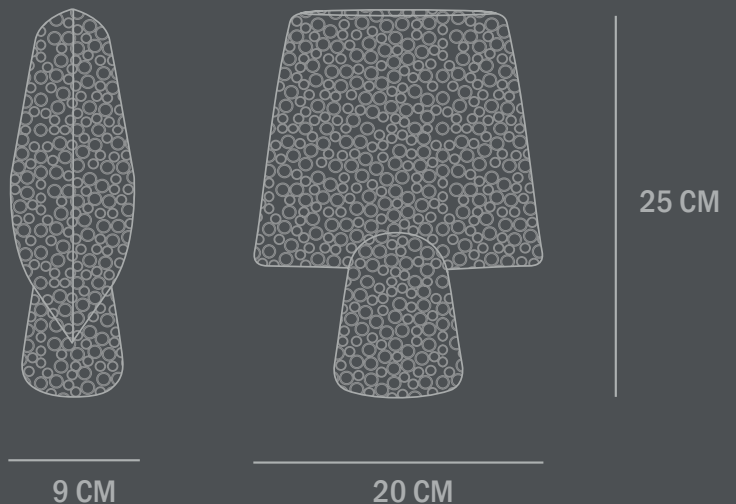
Colour: Shisen - Sand  
Material: Ceramic

Care instructions:  
Use a soft dry cloth to clean the product.  
Do not use household cleaners.  
Not waterproof

Dimensions: L20 / W9 / H25 CM  
Country of origin: CN

Product weight: 1,2 Kgs

Packaging:  
Dimensions: L25 / W15 / H31 CM  
Total weight incl. product: 1,4 Kgs  
Number of parcels: 1  
Material: Brown cardboard



# 101

C O P E N H A G E N



## SPHERE VASE SQUARE MINI

The Sphere collection has become synonymous with the visual language and the signature series of 101 Copenhagen.

The series is a family of unique silhouettes and textures gathering in a decorative and sculptural manner. Elegantly sculpted, each vase is finished with an intricate ornate detailing.

Inspired by ancient Chinese vases, a palette of faded earth tones is characteristic of the Sphere collection which was developed in close collaboration with highly skilled ceramists, ensuring the precise contrast between the smooth shapes and sharp edges.

As it is a hand glazed natural product, the colours may vary slightly and while it is not 100% waterproof, a bag for fresh flowers is included.

Designed by Kristian Sofus Hansen & Tommy Hyldahl.

Product no: 213022

Type: Vase - Indoor

Designer / Year of design:  
Kristian Sofus Hansen & Tommy Hyldahl, 2017

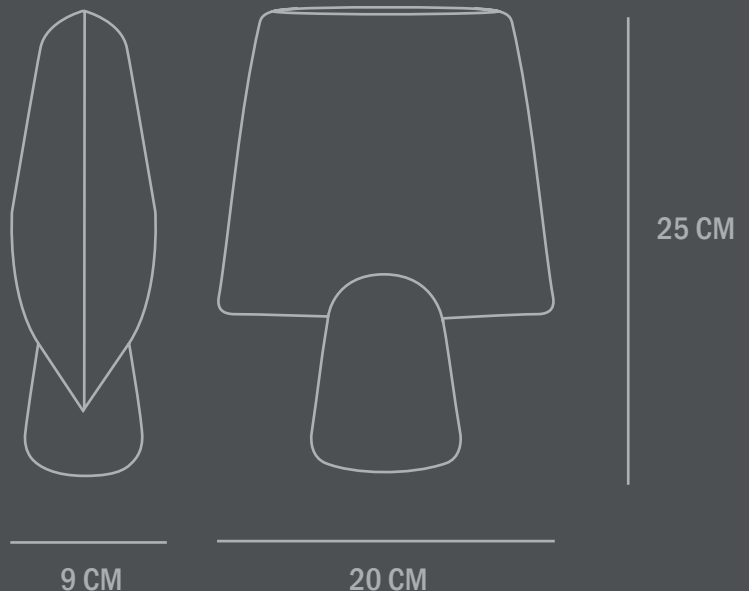
Colour: Black  
Material: Ceramic

Care instructions:  
Use a soft dry cloth to clean the product.  
Do not use household cleaners.  
Not waterproof

Dimensions: L20 / W9 / H25 CM  
Country of origin: CN

Product weight: 0,65 Kgs

Packaging:  
Dimensions: L28 / W14 / H32 CM  
Total weight incl. product: 0,75 Kgs  
Number of parcels: 1  
Material: Brown cardboard



# 101

C O P E N H A G E N



## SPHERE VASE SQUARE MINI

The Sphere collection has become synonymous with the visual language and the signature series of 101 Copenhagen.

The series is a family of unique silhouettes and textures gathering in a decorative and sculptural manner. Elegantly sculpted, each vase is finished with an intricate ornate detailing.

Inspired by ancient Chinese vases, a palette of faded earth tones is characteristic of the Sphere collection which was developed in close collaboration with highly skilled ceramists, ensuring the precise contrast between the smooth shapes and sharp edges.

As it is a hand glazed natural product, the colours may vary slightly and while it is not 100% waterproof, a bag for fresh flowers is included.

Designed by Kristian Sofus Hansen & Tommy Hyldahl.

Product no: 221012

Type: Vase - Indoor

Colour: Bone White

Material: Ceramic

Care instructions:

Use a soft dry cloth to clean the product.

Do not use household cleaners.

Not waterproof

Dimensions: L20 / W9 / H25 CM

Country of origin: CN

Product weight: 0,65 Kg

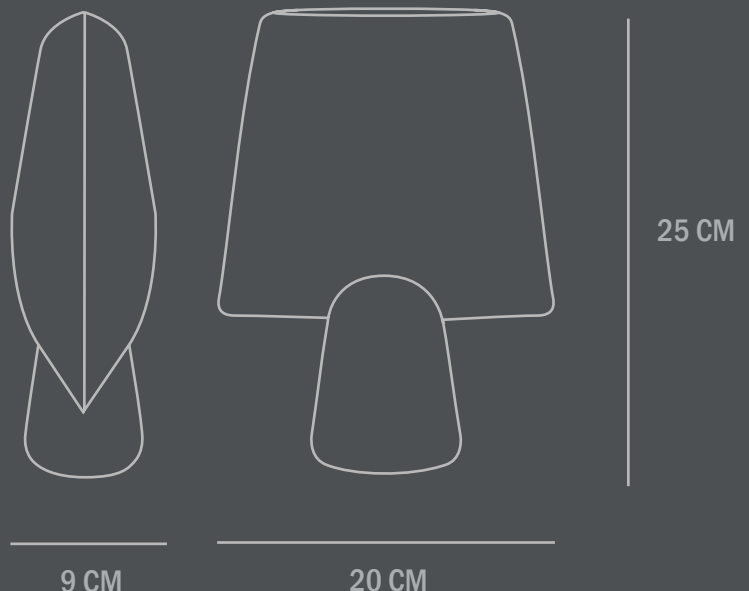
Packaging:

Dimensions: L28 / W14 / H32 CM

Total weight incl. product: 0,75 Kg

Number of parcels: 1

Material: Brown cardboard





# 101

C O P E N H A G E N



## SPHERE VASE SQUARE MINI

The Sphere collection has become synonymous with the visual language and the signature series of 101 Copenhagen.

The series is a family of unique silhouettes and textures gathering in a decorative and sculptural manner. Elegantly sculpted, each vase is finished with an intricate ornate detailing.

Inspired by ancient Chinese vases, a palette of faded earth tones is characteristic of the Sphere collection which was developed in close collaboration with highly skilled ceramists, ensuring the precise contrast between the smooth shapes and sharp edges.

As it is a hand glazed natural product, the colours may vary slightly and while it is not 100% waterproof, a bag for fresh flowers is included.

Designed by Kristian Sofus Hansen & Tommy Hyldahl.

Product no: 202002

Type: Vase - Indoor

Designer / Year of design:  
Kristian Sofus Hansen & Tommy Hyldahl, 2017

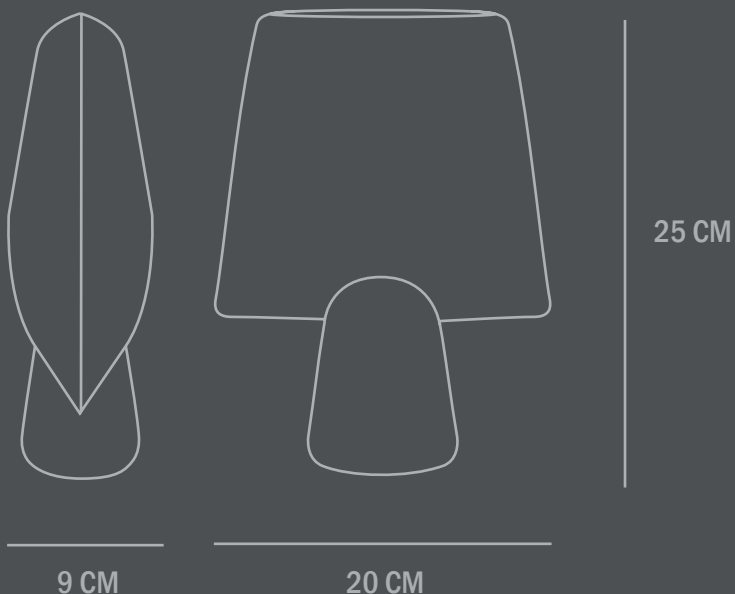
Colour: Bubble White  
Material: Ceramic

Care instructions:  
Use a soft dry cloth to clean the product.  
Do not use household cleaners.  
Not waterproof

Dimensions: L20 / W9 / H25 CM  
Country of origin: CN

Product weight: 0,65 Kgs

Packaging:  
Dimensions: L28 / W14 / H32 CM  
Total weight incl. product: 0,75 Kgs  
Number of parcels: 1  
Material: Brown cardboard



# 101

C O P E N H A G E N



Product no: 111021

Type: Vase - Indoor

Designer / Year of design:  
Kristian Sofus Hansen & Tommy Hyldahl, 2017

Colour: Coffee  
Material: Ceramic

Care instructions:  
Use a soft dry cloth to clean the product.  
Do not use household cleaners.  
Not waterproof

Dimensions: L20 / W9 / H25 CM  
Country of origin: CN

Product weight: 0,65 Kgs

Packaging:  
Dimensions: L28 / W14 / H32 CM  
Total weight incl. product: 0,75 Kgs  
Number of parcels: 1  
Material: Brown cardboard

## SPHERE VASE SQUARE MINI

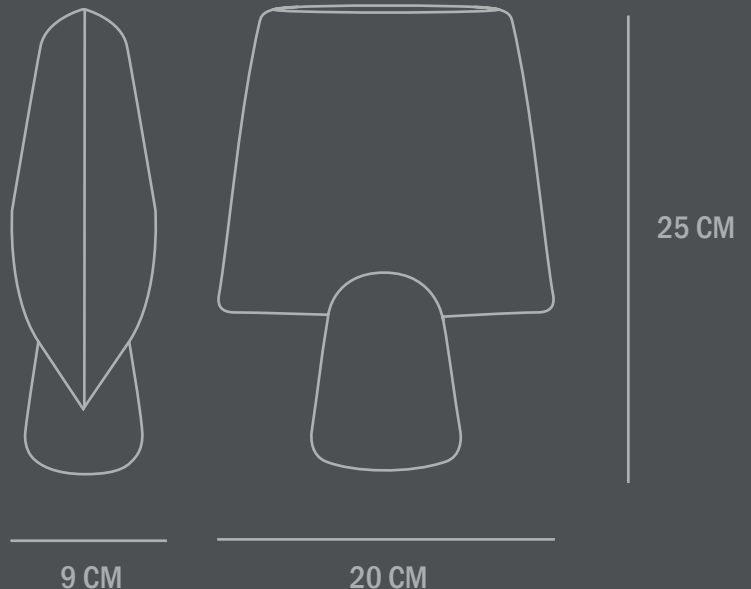
The Sphere collection has become synonymous with the visual language and the signature series of 101 Copenhagen.

The series is a family of unique silhouettes and textures gathering in a decorative and sculptural manner. Elegantly sculpted, each vase is finished with an intricate ornate detailing.

Inspired by ancient Chinese vases, a palette of faded earth tones is characteristic of the Sphere collection which was developed in close collaboration with highly skilled ceramists, ensuring the precise contrast between the smooth shapes and sharp edges.

As it is a hand glazed natural product, the colours may vary slightly and while it is not 100% waterproof, a bag for fresh flowers is included.

Designed by Kristian Sofus Hansen & Tommy Hyldahl.



# 101

C O P E N H A G E N



## SPHERE VASE SQUARE MINI

The Sphere collection has become synonymous with the visual language and the signature series of 101 Copenhagen.

The series is a family of unique silhouettes and textures gathering in a decorative and sculptural manner. Elegantly sculpted, each vase is finished with an intricate ornate detailing.

Inspired by ancient Chinese vases, a palette of faded earth tones is characteristic of the Sphere collection which was developed in close collaboration with highly skilled ceramists, ensuring the precise contrast between the smooth shapes and sharp edges.

As it is a hand glazed natural product, the colours may vary slightly and while it is not 100% waterproof, a bag for fresh flowers is included.

Designed by Kristian Sofus Hansen & Tommy Hyldahl.

Product no: 111020

Type: Vase - Indoor

Designer / Year of design:  
Kristian Sofus Hansen & Tommy Hyldahl, 2017

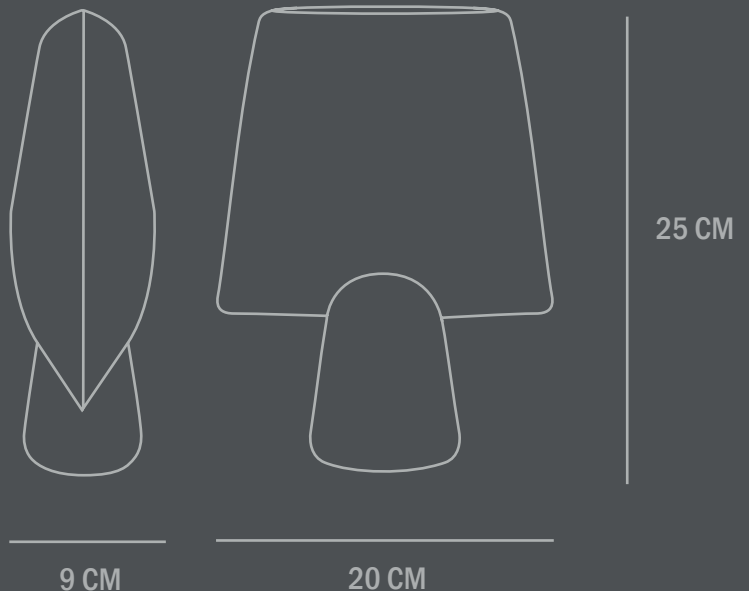
Colour: Dark grey  
Material: Ceramic

Care instructions:  
Use a soft dry cloth to clean the product.  
Do not use household cleaners.  
Not waterproof

Dimensions: L20 / W9 / H25 CM  
Country of origin: CN

Product weight: 0,65 Kgs

Packaging:  
Dimensions: L28 / W14 / H32 CM  
Total weight incl. product: 0,75 Kgs  
Number of parcels: 1  
Material: Brown cardboard



# 101

C O P E N H A G E N



## SPHERE VASE SQUARE MINI

The Sphere collection has become synonymous with the visual language and the signature series of 101 Copenhagen.

The series is a family of unique silhouettes and textures gathering in a decorative and sculptural manner. Elegantly sculpted, each vase is finished with an intricate ornate detailing.

Inspired by ancient Chinese vases, a palette of faded earth tones is characteristic of the Sphere collection which was developed in close collaboration with highly skilled ceramists, ensuring the precise contrast between the smooth shapes and sharp edges.

As it is a hand glazed natural product, the colours may vary slightly and while it is not 100% waterproof, a bag for fresh flowers is included.

Designed by Kristian Sofus Hansen & Tommy Hyldahl.

Product no: 111181

Type: Vase - Indoor

Designer / Year of design:  
Kristian Sofus Hansen & Tommy Hyldahl, 2017

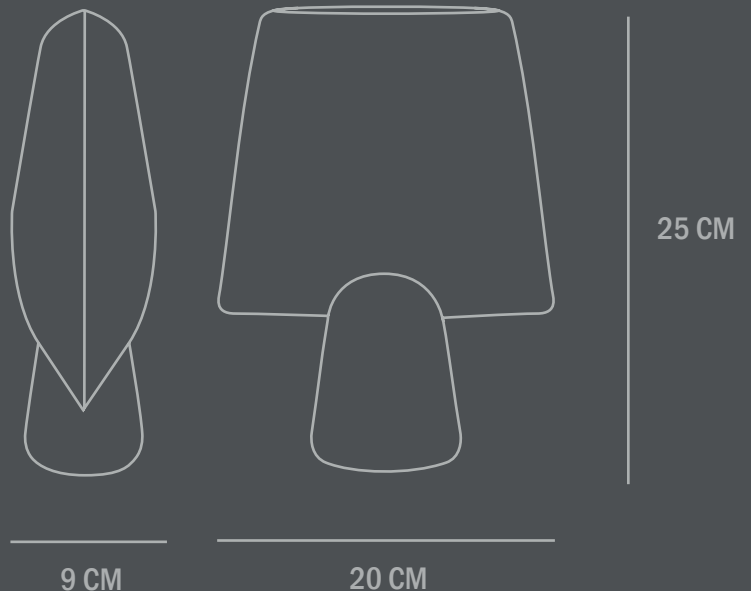
Colour: Ocher  
Material: Ceramic

Care instructions:  
Use a soft dry cloth to clean the product.  
Do not use household cleaners.  
Not waterproof

Dimensions: L20 / W9 / H25 CM

Country of origin: CN  
Product weight: 0,65 Kgs

Packaging:  
Dimensions: L28 / W14 / H32 CM  
Total weight incl. product: 0,75 Kgs  
Number of parcels: 1  
Material: Brown cardboard





# 101

C O P E N H A G E N

## SPHERE VASE SQUARE MINI

The Sphere collection has become synonymous with the visual language and the signature series of 101 Copenhagen.

The series is a family of unique silhouettes and textures gathering in a decorative and sculptural manner. Elegantly sculpted, each vase is finished with an intricate ornate detailing.

Inspired by ancient Chinese vases, a palette of faded earth tones is characteristic of the Sphere collection which was developed in close collaboration with highly skilled ceramists, ensuring the precise contrast between the smooth shapes and sharp edges.

As it is a hand glazed natural product, the colours may vary slightly and while it is not 100% waterproof, a bag for fresh flowers is included.

Designed by Kristian Sofus Hansen & Tommy Hyldahl.



Product no: 111204

Type: Vase - Indoor

Designer / Year of design:  
Kristian Sofus Hansen & Tommy Hyldahl, 2017

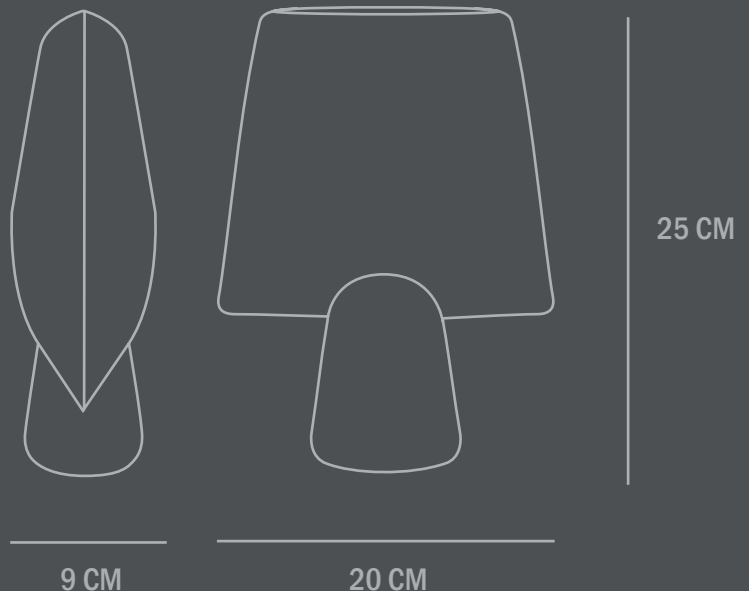
Colour: Sand  
Material: Ceramic

Care instructions:  
Use a soft dry cloth to clean the product.  
Do not use household cleaners.  
Not waterproof

Dimensions: L20 / W9 / H25 CM

Country of origin: CN  
Product weight: 0,65 Kgs

Packaging:  
Dimensions: L28 / W14 / H32 CM  
Total weight incl. product: 0,75 Kgs  
Number of parcels: 1  
Material: Brown cardboard



# 101

C O P E N H A G E N



## SPHERE VASE SQUARE MINI

The Sphere collection has become synonymous with the visual language and the signature series of 101 Copenhagen.

The series is a family of unique silhouettes and textures gathering in a decorative and sculptural manner. Elegantly sculpted, each vase is finished with an intricate ornate detailing.

Inspired by ancient Chinese vases, a palette of faded earth tones is characteristic of the Sphere collection which was developed in close collaboration with highly skilled ceramists, ensuring the precise contrast between the smooth shapes and sharp edges.

As it is a hand glazed natural product, the colours may vary slightly and while it is not 100% waterproof, a bag for fresh flowers is included.

Designed by Kristian Sofus Hansen & Tommy Hyldahl.

Product no: 203011

Type: Vase - Indoor

Designer / Year of design:  
Kristian Sofus Hansen & Tommy Hyldahl, 2017

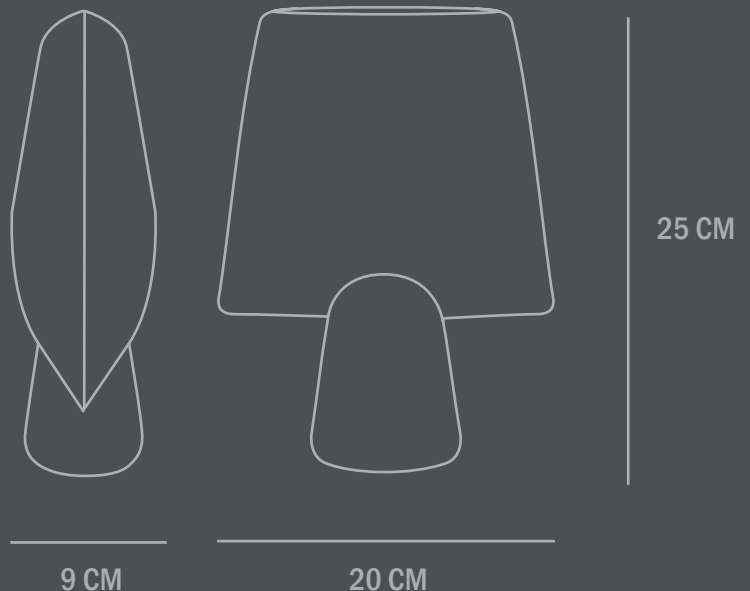
Colour: Taupe  
Material: Ceramic

Care instructions:  
Use a soft dry cloth to clean the product.  
Do not use household cleaners.  
Not waterproof

Dimensions: L20 / W9 / H25 CM  
Country of origin: CN

Product weight: 0,65 Kgs

Packaging:  
Dimensions: L28 / W14 / H32 CM  
Total weight incl. product: 0,75 Kgs  
Number of parcels: 1  
Material: Brown cardboard



# 101

C O P E N H A G E N



## SPHERE VASE SQUARE MINI

The Sphere collection has become synonymous with the visual language and the signature series of 101 Copenhagen.

The series is a family of unique silhouettes and textures gathering in a decorative and sculptural manner. Elegantly sculpted, each vase is finished with an intricate ornate detailing.

Inspired by ancient Chinese vases, a palette of faded earth tones is characteristic of the Sphere collection which was developed in close collaboration with highly skilled ceramists, ensuring the precise contrast between the smooth shapes and sharp edges.

As it is a hand glazed natural product, the colours may vary slightly and while it is not 100% waterproof, a bag for fresh flowers is included.

Designed by Kristian Sofus Hansen & Tommy Hyldahl.

Product no: 111182

Type: Vase - Indoor

Designer / Year of design:  
Kristian Sofus Hansen & Tommy Hyldahl, 2017

Colour: Teracotta  
Material: Ceramic

Care instructions:  
Use a soft dry cloth to clean the product.  
Do not use household cleaners.  
Not waterproof

Dimensions: L20 / W9 / H25 CM  
Country of origin: CN

Product weight: 0,65 Kgs

Packaging:  
Dimensions: L28 / W14 / H32 CM  
Total weight incl. product: 0,75 Kgs  
Number of parcels: 1  
Material: Brown cardboard

