

# 101

C O P E N H A G E N



## **Pillar Table, Tall - Burned Black**

Designed by

Kristian Sofus Hansen &  
Tommy Hyldahl

# Pillar Table, Tall - Burned Black

---

## Product Description

Inspired by the rich, lustrous use of material in the 1930s Art Deco movement, the Pillar Table, Tall - Burned Black is a piece of statement furniture characterized by the contrast between a paper-thin tabletop and a voluminous base.

Made of plated metal in a deep burned black finish, the table offers a sophisticated, contemporary appearance that will be a unique addition to any home. The curved exterior makes this table suitable for both classic and modern interiors.

With its taller profile, the Pillar Table, Tall - Burned Black is ideal as a side table next to a sofa or armchair, a pedestal for displaying decorative objects, or a striking accent in a hallway or bedroom. Its elegant form allows it to stand alone or pair beautifully with the low version for a layered look.

## Designer Description

Tommy Hyldahl and Kristian Sofus Hansen intertwine their distinct sensibilities to create designs where storytelling, materiality, and timeless form meet in quiet harmony.

With a background in fashion, Tommy brings an intuitive eye for trends, colors, and textures. His process is one of layering histories, blending details and references from past design periods and reimagining them into something fresh and contemporary. Each collection unfolds as a narrative, evolving from concept to creation, with every element contributing to a greater story.

Kristian, who has lived and studied in Japan, seeks to unite Japanese aesthetics with Danish design, creating a characteristic twist on simplicity itself. His work is defined by the search for subtle, original details that elevate each piece with a unique signature. Drawing inspiration from art and sculpture, his creative process unfolds in new and exciting ways, always striving to craft designs that are both functional and timeless.

Together, they craft design that transcends time, poetic yet practical, expressive yet enduring.



# Pillar Table, Tall - Burned Black

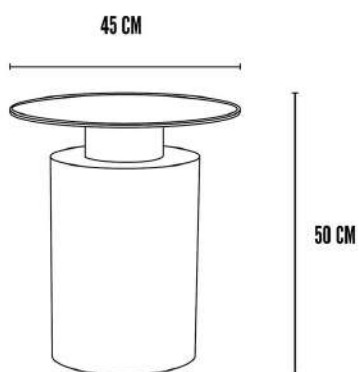
---

## Main

SKU	201026	Product Family	Pillar
Product name	Pillar Table, Tall - Burned Black	Color	Burned Black
Product Type	Coffee Table	Size	Tall
		Unit	Piece

## Logistics

EAN number	4251501405283	Package - CBM	0.175
Package height in cm	60.00	Package - Weight KG	10.200
Package width in cm	54.00	Tariff Code No	9403208000
Package length in cm	54.00	Country of origin	China
Suitable for Courier	Yes	Quantity of Inner Boxes	1



# Pillar Table, Tall - Burned Black

---

## Product

Materials	Powder Coated Iron	Net weight in kg	8
Item Height in cm	50.00	Space Suitability	Indoor
Item width in cm	45.00	Strength Test	N/A
Item length in cm	45.00	FSC Wood	N/A

## Upholstery

Fabric		Cigarette Test - CAL-117
Martindale	N/A	Cigarette Test - EN 1021-1
Colour Fastness to Light		Cigarette Test - BS5852 Part 1
Pilling		Match Flame Test - EN 1021-2
Oeko Tex		Ignition Source 5 (Crib 5) - BS 5852 Part 2
Fire Test Foam	N/A	NF P92-507 - Class M1

## Pillar Table, Tall - Burned Black

---

### Family Description Text

Rooted in the glamour and modernism of the 1930s Art Deco movement, the Pillar Collection is a sculptural expression of elegance and strength. The Art Deco era celebrated bold geometry, rich materials, and dramatic contrasts, principles that come vividly to life in this design. A paper-thin tabletop appears to float above a voluminous cylindrical base, creating a striking balance between lightness and solidity, delicacy and permanence.

Crafted in lustrous iron, the collection reflects the movement's fascination with metallic finishes, symmetry, and refined craftsmanship. Much like the architecture and interiors of the era, the Pillar Collection is more than functional furniture. It is a statement of style, glamour, and enduring artistry that brings timeless grandeur into contemporary living.

### Color Description

Burned Black is a deep, charcoal-black tone enriched with a subtle warm red undercurrent. Its matte powder-coated surface delivers a smooth, consistent appearance, while gentle tonal shifts emerge as light moves across it. Bold yet quietly warm, Burned Black brings depth, richness, and a refined architectural presence to any palette.

## Pillar Table, Tall - Burned Black

---

### Maintenance Guide Description

Keep powder coated iron clean by wiping it regularly with a soft, dry microfiber cloth. For deeper cleaning, use a mild soap solution on a damp cloth, then rinse and dry thoroughly to prevent moisture from sitting on the surface. Avoid abrasive pads, harsh chemicals, and solvent-based cleaners, as these can weaken or scratch the powder coating. Always use coasters, placemats, and soft pads to prevent scratches and stains. This piece is designed for indoor use only; keep it away from prolonged moisture or high-humidity environments to preserve the finish. With gentle care, the surface will remain smooth, protective, and long-lasting.

### Materials Description

Powder-coated iron combines the strength of solid iron with a protective, heat-cured powder coating. This finish creates a smooth, durable layer that helps guard against rust, chipping, and everyday wear. The powder coat offers consistent color and texture while shielding the iron beneath from moisture and environmental exposure. With proper care, powder-coated iron delivers long-lasting durability and a clean, modern appearance suitable for both indoor and covered outdoor use.

# 101

C O P E N H A G E N



## **Pillar Table, Tall - Brass**

Designed by

Kristian Sofus Hansen &  
Tommy Hyldahl

# Pillar Table, Tall - Brass

---

## Product Description

Inspired by the rich, lustrous use of material in the 1930s Art Deco movement, the Pillar Table, Tall - Brass is a piece of statement furniture characterized by the contrast between a paper-thin tabletop and a voluminous base.

Made of plated metal in a warm brass finish, the table offers a sophisticated appearance that will be a unique addition to any home. The curved exterior makes this table suitable for both classic and contemporary interiors.

With its taller profile, the Pillar Table, Tall - Brass is ideal as a side table next to a sofa or armchair, a pedestal for displaying decorative objects, or a striking accent in a hallway or bedroom. Its elegant form allows it to stand alone or pair beautifully with the low version for a layered look.

## Designer Description

Tommy Hyldahl and Kristian Sofus Hansen intertwine their distinct sensibilities to create designs where storytelling, materiality, and timeless form meet in quiet harmony.

With a background in fashion, Tommy brings an intuitive eye for trends, colors, and textures. His process is one of layering histories, blending details and references from past design periods and reimagining them into something fresh and contemporary. Each collection unfolds as a narrative, evolving from concept to creation, with every element contributing to a greater story.

Kristian, who has lived and studied in Japan, seeks to unite Japanese aesthetics with Danish design, creating a characteristic twist on simplicity itself. His work is defined by the search for subtle, original details that elevate each piece with a unique signature. Drawing inspiration from art and sculpture, his creative process unfolds in new and exciting ways, always striving to craft designs that are both functional and timeless.

Together, they craft design that transcends time, poetic yet practical, expressive yet enduring.



# Pillar Table, Tall - Brass

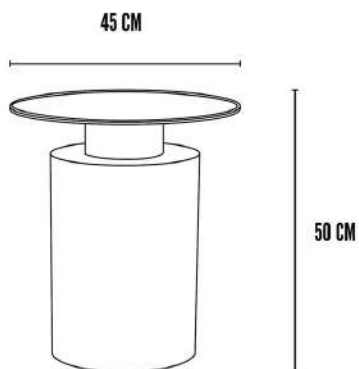
---

## Main

SKU	201024	Product Family	Pillar
Product name	Pillar Table, Tall - Brass	Color	Brass
Product Type	Coffee Table	Size	Tall
		Unit	Piece

## Logistics

EAN number	4251501405269	Package - CBM	0.175
Package height in cm	60.00	Package - Weight KG	10.200
Package width in cm	54.00	Tariff Code No	9403208000
Package length in cm	54.00	Country of origin	China
Suitable for Courier	Yes	Quantity of Inner Boxes	1



## Pillar Table, Tall - Brass

---

### Product

Materials	Hand Brushed Plated Iron	Net weight in kg	8
Item Height in cm	50.00	Space Suitability	Indoor
Item width in cm	45.00	Strength Test	N/A
Item length in cm	45.00	FSC Wood	N/A

### Upholstery

Fabric		Cigarette Test - CAL-117
Martindale	N/A	Cigarette Test - EN 1021-1
Colour Fastness to Light		Cigarette Test - BS5852 Part 1
Pilling		Match Flame Test - EN 1021-2
Oeko Tex		Ignition Source 5 (Crib 5) - BS 5852 Part 2
Fire Test Foam	N/A	NF P92-507 - Class M1

## Pillar Table, Tall - Brass

---

### Family Description Text

Rooted in the glamour and modernism of the 1930s Art Deco movement, the Pillar Collection is a sculptural expression of elegance and strength. The Art Deco era celebrated bold geometry, rich materials, and dramatic contrasts, principles that come vividly to life in this design. A paper-thin tabletop appears to float above a voluminous cylindrical base, creating a striking balance between lightness and solidity, delicacy and permanence.

Crafted in lustrous iron, the collection reflects the movement's fascination with metallic finishes, symmetry, and refined craftsmanship. Much like the architecture and interiors of the era, the Pillar Collection is more than functional furniture. It is a statement of style, glamour, and enduring artistry that brings timeless grandeur into contemporary living.

### Color Description

Hand Brushed Brass has a golden metallic tone that resembles gold but with a softer, more muted character. Fine brushstrokes create a silky matte surface, reducing shine and adding depth and movement. The result is a warm, elegant finish that feels both timeless and contemporary.

## Pillar Table, Tall - Brass

---

### Maintenance Guide Description

Plated hand-brushed iron combines durability with artisanal detail, and thoughtful care will preserve its finish over time. Dust regularly with a soft, dry cloth, or wipe gently with a damp cloth and mild, pH-neutral soap when needed. Always dry immediately to prevent water spots.

Avoid abrasive pads, harsh chemicals, or solvents, as these can scratch the surface or damage the protective matte coating. To protect the finish, use coasters, mats, or felt pads where surfaces may come into contact with objects. With mindful care, the hand-brushed texture and plated finish will retain their depth, character, and quiet refinement for years to come.

### Materials Description

Hand-brushed plated iron reflects the meeting of craftsmanship and time. Each piece is plated and then brushed by hand, creating subtle variations in tone and texture that make every object unique. A final matte coating softens the sheen into a silky finish, enhancing the surface with quiet movement and depth.

# 101

C O P E N H A G E N



## **Pillar Table, Low - Burned Black**

Designed by

Kristian Sofus Hansen &  
Tommy Hyldahl

# Pillar Table, Low - Burned Black

---

## Product Description

Inspired by the rich, lustrous use of material in the 1930s Art Deco movement, the Pillar Table, Low - Burned Black is a piece of statement furniture characterized by the contrast between a paper-thin tabletop and a voluminous base.

Made of plated metal in a deep burned black finish, the table offers a sophisticated, contemporary appearance that will be a unique addition to any home. The curved exterior makes this table suitable for both classic and modern interiors.

With its low height, the Pillar Table, Low - Burned Black is perfect as a coffee table in a living room, as a side table beside a lounge chair, or as an accent piece in an open space. Its compact, rounded form makes it easy to place while still creating a strong visual impact.

## Designer Description

Tommy Hyldahl and Kristian Sofus Hansen intertwine their distinct sensibilities to create designs where storytelling, materiality, and timeless form meet in quiet harmony.

With a background in fashion, Tommy brings an intuitive eye for trends, colors, and textures. His process is one of layering histories, blending details and references from past design periods and reimagining them into something fresh and contemporary. Each collection unfolds as a narrative, evolving from concept to creation, with every element contributing to a greater story.

Kristian, who has lived and studied in Japan, seeks to unite Japanese aesthetics with Danish design, creating a characteristic twist on simplicity itself. His work is defined by the search for subtle, original details that elevate each piece with a unique signature. Drawing inspiration from art and sculpture, his creative process unfolds in new and exciting ways, always striving to craft designs that are both functional and timeless.

Together, they craft design that transcends time, poetic yet practical, expressive yet enduring.



# Pillar Table, Low - Burned Black

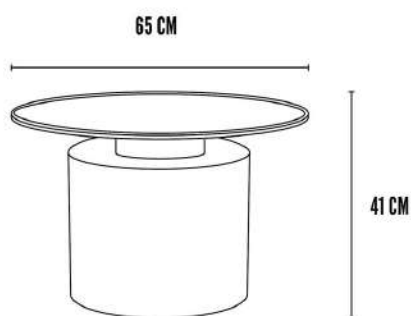
---

## Main

SKU	201025	Product Family	Pillar
Product name	Pillar Table, Low - Burned Black	Color	Burned Black
Product Type	Coffee Table	Size	Low
		Unit	Piece

## Logistics

EAN number	4251501405276	Package - CBM	0.285
Package height in cm	52.00	Package - Weight KG	15.000
Package width in cm	74.00	Tariff Code No	9403208000
Package length in cm	74.00	Country of origin	China
Suitable for Courier	No	Quantity of Inner Boxes	1



## Pillar Table, Low - Burned Black

---

### Product

Materials	Powder Coated Iron	Net weight in kg	11.8
Item Height in cm	41.00	Space Suitability	Indoor
Item width in cm	65.00	Strength Test	N/A
Item length in cm	65.00	FSC Wood	N/A

### Upholstery

Fabric		Cigarette Test - CAL-117
Martindale	N/A	Cigarette Test - EN 1021-1
Colour Fastness to Light		Cigarette Test - BS5852 Part 1
Pilling		Match Flame Test - EN 1021-2
Oeko Tex		Ignition Source 5 (Crib 5) - BS 5852 Part 2
Fire Test Foam	N/A	NF P92-507 - Class M1

## Pillar Table, Low - Burned Black

---

### Family Description Text

Rooted in the glamour and modernism of the 1930s Art Deco movement, the Pillar Collection is a sculptural expression of elegance and strength. The Art Deco era celebrated bold geometry, rich materials, and dramatic contrasts, principles that come vividly to life in this design. A paper-thin tabletop appears to float above a voluminous cylindrical base, creating a striking balance between lightness and solidity, delicacy and permanence.

Crafted in lustrous iron, the collection reflects the movement's fascination with metallic finishes, symmetry, and refined craftsmanship. Much like the architecture and interiors of the era, the Pillar Collection is more than functional furniture. It is a statement of style, glamour, and enduring artistry that brings timeless grandeur into contemporary living.

### Color Description

Burned Black is a deep, charcoal-black tone enriched with a subtle warm red undercurrent. Its matte powder-coated surface delivers a smooth, consistent appearance, while gentle tonal shifts emerge as light moves across it. Bold yet quietly warm, Burned Black brings depth, richness, and a refined architectural presence to any palette.

## Pillar Table, Low - Burned Black

---

### Maintenance Guide Description

Keep powder coated iron clean by wiping it regularly with a soft, dry microfiber cloth. For deeper cleaning, use a mild soap solution on a damp cloth, then rinse and dry thoroughly to prevent moisture from sitting on the surface. Avoid abrasive pads, harsh chemicals, and solvent-based cleaners, as these can weaken or scratch the powder coating. Always use coasters, placemats, and soft pads to prevent scratches and stains. This piece is designed for indoor use only; keep it away from prolonged moisture or high-humidity environments to preserve the finish. With gentle care, the surface will remain smooth, protective, and long-lasting.

### Materials Description

Powder-coated iron combines the strength of solid iron with a protective, heat-cured powder coating. This finish creates a smooth, durable layer that helps guard against rust, chipping, and everyday wear. The powder coat offers consistent color and texture while shielding the iron beneath from moisture and environmental exposure. With proper care, powder-coated iron delivers long-lasting durability and a clean, modern appearance suitable for both indoor and covered outdoor use.

# 101

C O P E N H A G E N



## **Pillar Table, Low - Brass**

Designed by

Kristian Sofus Hansen &  
Tommy Hyldahl

# Pillar Table, Low - Brass

---

## Product Description

Inspired by the rich, lustrous use of material in the 1930s Art Deco movement, the Pillar Table, Low - Brass is a piece of statement furniture characterized by the contrast between a paper-thin tabletop and a voluminous base.

Made of plated metal in a warm brass finish, the table offers a sophisticated appearance that will be a unique addition to any home. The curved exterior makes this table suitable for both classic and contemporary interiors.

With its elegant low profile, the Pillar Table, Low - Brass is ideal as a centrepiece in a living room seating area, paired with a lounge chair for a reading corner, or positioned beside a sofa to hold drinks, books, or decorative objects. Its rounded form complements both classic and contemporary spaces, adding depth and character wherever it is placed.

## Designer Description

Tommy Hyldahl and Kristian Sofus Hansen intertwine their distinct sensibilities to create designs where storytelling, materiality, and timeless form meet in quiet harmony.

With a background in fashion, Tommy brings an intuitive eye for trends, colors, and textures. His process is one of layering histories, blending details and references from past design periods and reimagining them into something fresh and contemporary. Each collection unfolds as a narrative, evolving from concept to creation, with every element contributing to a greater story.

Kristian, who has lived and studied in Japan, seeks to unite Japanese aesthetics with Danish design, creating a characteristic twist on simplicity itself. His work is defined by the search for subtle, original details that elevate each piece with a unique signature. Drawing inspiration from art and sculpture, his creative process unfolds in new and exciting ways, always striving to craft designs that are both functional and timeless.

Together, they craft design that transcends time, poetic yet practical, expressive yet enduring.



# Pillar Table, Low - Brass

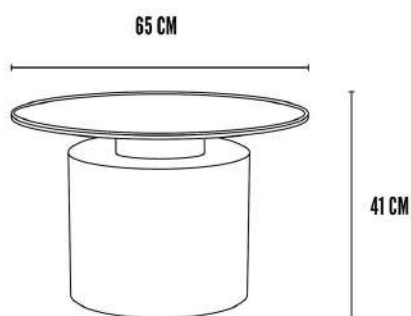
---

## Main

SKU	201023	Product Family	Pillar
Product name	Pillar Table, Low - Brass	Color	Brass
Product Type	Coffee Table	Size	Low
		Unit	Piece

## Logistics

EAN number	4251501405252	Package - CBM	0.285
Package height in cm	52.00	Package - Weight KG	15.000
Package width in cm	74.00	Tariff Code No	9403208000
Package length in cm	74.00	Country of origin	China
Suitable for Courier	No	Quantity of Inner Boxes	1



## Pillar Table, Low - Brass

---

### Product

Materials	Hand Brushed Plated Iron	Net weight in kg	11.8
Item Height in cm	41.00	Space Suitability	Indoor
Item width in cm	65.00	Strength Test	N/A
Item length in cm	65.00	FSC Wood	N/A

### Upholstery

Fabric		Cigarette Test - CAL-117
Martindale	N/A	Cigarette Test - EN 1021-1
Colour Fastness to Light		Cigarette Test - BS5852 Part 1
Pilling		Match Flame Test - EN 1021-2
Oeko Tex		Ignition Source 5 (Crib 5) - BS 5852 Part 2
Fire Test Foam	N/A	NF P92-507 - Class M1

## Pillar Table, Low - Brass

---

### Family Description Text

Rooted in the glamour and modernism of the 1930s Art Deco movement, the Pillar Collection is a sculptural expression of elegance and strength. The Art Deco era celebrated bold geometry, rich materials, and dramatic contrasts, principles that come vividly to life in this design. A paper-thin tabletop appears to float above a voluminous cylindrical base, creating a striking balance between lightness and solidity, delicacy and permanence.

Crafted in lustrous iron, the collection reflects the movement's fascination with metallic finishes, symmetry, and refined craftsmanship. Much like the architecture and interiors of the era, the Pillar Collection is more than functional furniture. It is a statement of style, glamour, and enduring artistry that brings timeless grandeur into contemporary living.

### Color Description

Hand Brushed Brass has a golden metallic tone that resembles gold but with a softer, more muted character. Fine brushstrokes create a silky matte surface, reducing shine and adding depth and movement. The result is a warm, elegant finish that feels both timeless and contemporary.

## Pillar Table, Low - Brass

---

### Maintenance Guide Description

Plated hand-brushed iron combines durability with artisanal detail, and thoughtful care will preserve its finish over time. Dust regularly with a soft, dry cloth, or wipe gently with a damp cloth and mild, pH-neutral soap when needed. Always dry immediately to prevent water spots.

Avoid abrasive pads, harsh chemicals, or solvents, as these can scratch the surface or damage the protective matte coating. To protect the finish, use coasters, mats, or felt pads where surfaces may come into contact with objects. With mindful care, the hand-brushed texture and plated finish will retain their depth, character, and quiet refinement for years to come.

### Materials Description

Hand-brushed plated iron reflects the meeting of craftsmanship and time. Each piece is plated and then brushed by hand, creating subtle variations in tone and texture that make every object unique. A final matte coating softens the sheen into a silky finish, enhancing the surface with quiet movement and depth.