

NEW WORKS.



Tense Pendant Lamp Ø70

Panter & Tourron

A new little cloud has floated in. The popular Tense Pendant Lamp is now available with a diameter of 70 cm, in addition to the sizes Ø90 and Ø120 cm. Ideal for smaller spaces or mounted in poetic formations along with the other sizes. Like the other Tense pendants, the lamp consists of a light-weight shade made of the material Tyvek, which is both durable and soft – whilst being 100% recyclable. The flexibility of this paper-like diffuser allows its slim frame to accentuate the cloud like qualities of the lamp. Finished with a slimline LED light source, all components fit into a slim box for ease of transport.

Specifications

Product Name

Tense Pendant Lamp Ø70

Designer

Panter & Tourron

Category

Lighting

Type

Pendant

Year

2021

Material

Shade in Tyvek membrane (100% recyclable) tightened up with carbon rods, cord in black PVC and dimmable LED light source.

Colour/Variant

White Tyvek

Product Dimensions

H: 150 x D: 600 x W: 700 mm

Packaging Dimensions

H: 482 x W: 995 x D: 138 mm

Canopy

Ø: 140 x H: 50 mm (holds driver and excess cord)

Cord

Black PVC, 5000 mm

Weight (incl. packaging)

5.8 kg

Country of Origin

China

Master Packaging

1

Certification

CE, Class II, IP22

Bulb

Light source included. Min. 50,000 hours

Light Source

LED 22W, 3000K (Results in approx. 2700K through lamp shade) Mains dimmable, trailing edge, no digital transformer needed. Output: 36 Va / 550 Ma Input: 230VA/110mA, 50/60Hz, PF=0,95 Lumen: 2,000 lm, CRI: 80.

EAN No

5712826212301

Item No

21230

Safety Precautions

The lamp is only intended for indoor use. Consult a professionally qualified electrician if any doubt.

Cleaning

Turn off the electricity before cleaning the lamp. Clean gently with a duster.

NEW WORKS.

Product Fact Sheet - Lighting - Tense Pendant Lamp, Ø90



Tense Pendant Lamp, Ø90

Panter & Tourron

Stretching to over one metre in length, the Tense pendant lamp appears like a soft cloud has floated in. A truly modern construction, its soft Tyvek diffuser represents a material both durable and soft – whilst being 100% recyclable. The flexibility of this paper-like diffuser allows its slim frame to accentuate the cloud like qualities of the Tense pendant lamp. Finished with a slimline LED light source, all components fit into a slim box for ease of transport. A truly modern approach to lighting.

About the designer Panter & Tourron

With a strong focus on research into new formal codes and visual experiences, the Swiss studio of Panter & Tourron works at the intersection of technology, design and society. Material and technological innovation allows for unexpected work that is set to redefine a new vision of luxury. Fresh from collecting the Dezeen Award for their innovative Tense collection, the studio pushes the boundaries of contemporary design today.

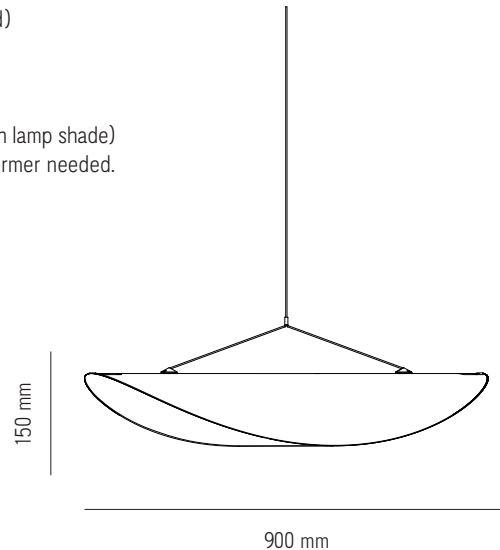
Ean No	Item No	Variation
5712826212103	21210	White Tyvek

NEW WORKS.

Product Fact Sheet - Lighting - Tense Pendant Lamp, Ø90

Specifications

Product Name	Tense Pendant Lamp
Designer	Panter & Tourron
Year	2020
Category	Lighting
Type	Pendant
Material	Shade in Tyvek membrane (100% recyclable) tightened up with carbon rods, cord in black PVC and dimmable LED light source.
Colour/Variant	White Tyvek
Product Dimensions	H: 150 x D: 800 x W: 900 mm
Packaging Dimensions	H: 520 x W: 1065 x D: 120 mm
Cord	Black PVC cord, L: 5000 mm, Ø: 4 mm
Canopy	Ø: 195 x H: 50 mm (holds driver and excess cord)
Weight (incl. Packaging)	- kg
Light Source	LED 22W, 3000K (Results in approx. 2700K through lamp shade) Mains dimmable, trailing edge, no digital transformer needed. Output: 36 Va / 550 Ma Input: 230VA/110mA, 50/60Hz, PF=0,95 Lumen: 2,000 lm, CRI: 80.
Bulb	Light source included. Min. 50,000 hours.
Certification	CE, Class II, IP22
County of origin	China
Master packaging	1



Cleaning & Care Guide

Turn off the electricity before cleaning the lamp. Clean gently with a duster.

Safety Precautions

The lamp is only intended for indoor use, and consult a professionally qualified electrician if any doubt.

NEW WORKS.

Product Fact Sheet - Lighting - Tense Pendant Lamp, Ø90

Details



NEW WORKS.

Product Fact Sheet - Lighting - Tense Pendant Lamp, Ø120



Tense Pendant Lamp, Ø120

Panter & Tourron

Stretching to over one metre in length, the Tense pendant lamp appears like a soft cloud has floated in. A truly modern construction, its soft Tyvek diffuser represents a material both durable and soft – whilst being 100% recyclable. The flexibility of this paper-like diffuser allows its slim frame to accentuate the cloud like qualities of the Tense pendant lamp. Finished with a slimline LED light source, all components fit into a slim box for ease of transport. A truly modern approach to lighting.

About the designer Panter & Tourron

With a strong focus on research into new formal codes and visual experiences, the Swiss studio of Panter & Tourron works at the intersection of technology, design and society. Material and technological innovation allows for unexpected work that is set to redefine a new vision of luxury. Fresh from collecting the Dezeen Award for their innovative Tense collection, the studio pushes the boundaries of contemporary design today.

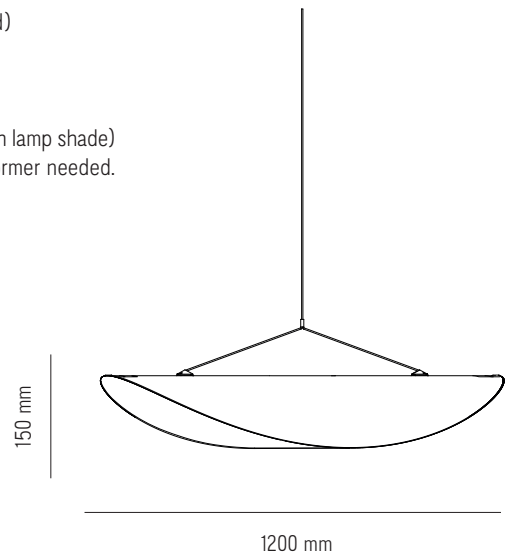
Ean No	Item No	Variation
5712826212202	21220	White Tyvek

NEW WORKS.

Product Fact Sheet - Lighting - Tense Pendant Lamp, Ø120

Specifications

Product Name	Tense Pendant Lamp
Designer	Panter & Tourron
Year	2020
Category	Lighting
Type	Pendant
Material	Shade in Tyvek membrane (100% recyclable) tightened up with carbon rods, cord in black PVC and dimmable LED light source.
Colour/Variant	White Tyvek
Product Dimensions	H: 150 x D: 800 x W: 900 mm
Packaging Dimensions	H: 640 x W: 1180 x D: 120 mm
Cord	Black PVC cord 5000 mm
Canopy	Ø: 195 x H: 50 mm (holds driver and excess cord)
Weight (incl. Packaging)	- kg
Light Source	LED 22W, 3000K (Results in approx. 2700K through lamp shade) Mains dimmable, trailing edge, no digital transformer needed. Output: 36 Va / 550 Ma Input: 230VA/110mA, 50/60Hz, PF=0,95 Lumen: 2,000 lm, CRI: 80.
Bulb	Light source included. Min. 50,000 hours.
Certification	CE, Class II, IP22
County of origin	China
Master packaging	1



Cleaning & Care Guide

Turn off the electricity before cleaning the lamp. Clean gently with a duster.

Safety Precautions

The lamp is only intended for indoor use, and consult a professionally qualified electrician if any doubt.

NEW WORKS.

Product Fact Sheet - Lighting - Tense Pendant Lamp, Ø120

Details

