

# 101

C O P E N H A G E N

## SPHERE VASE SQUARE HEXA

The Sphere collection has become synonymous with the visual language and the signature series of 101 Copenhagen.

The series is a family of unique silhouettes and textures gathering in a decorative and sculptural manner. Elegantly sculpted, each vase is finished with an intricate ornate detailing.

Inspired by ancient Chinese vases, a palette of faded earth tones is characteristic of the Sphere collection which was developed in close collaboration with highly skilled ceramists, ensuring the precise contrast between the smooth shapes and sharp edges.

As it is a hand glazed natural product, the colours may vary slightly and while it is not 100% waterproof, a bag for fresh flowers is included.

Designed by Kristian Sofus Hansen & Tommy Hyldahl.



Product no: 203013

Type: Vase - Indoor

Designer / Year of design:  
Kristian Sofus Hansen & Tommy Hyldahl, 2017

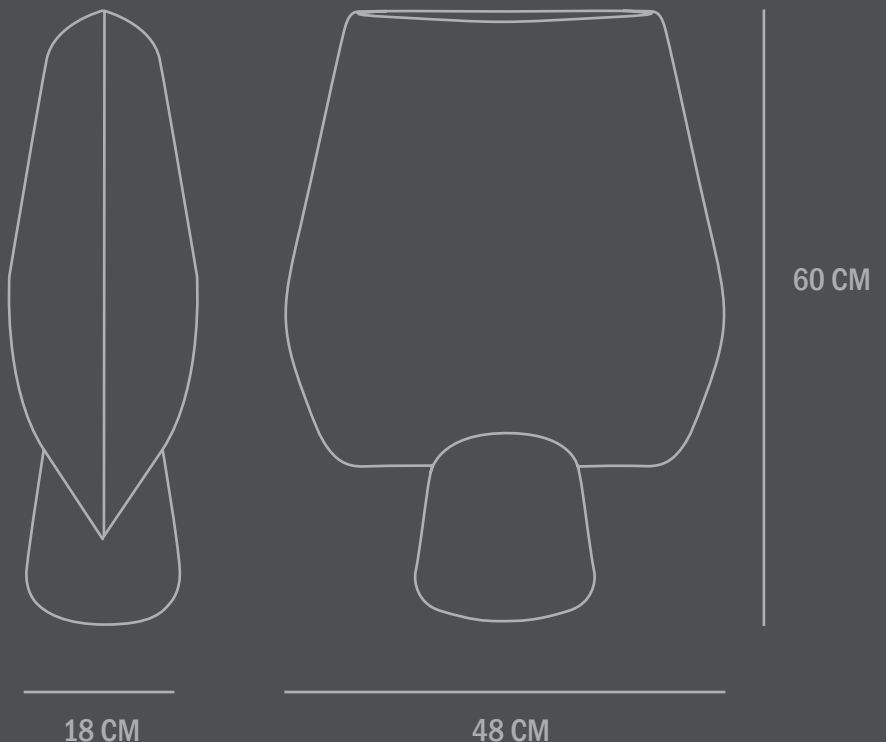
Colour: Black  
Material: Ceramic

Care instructions:  
Use a soft dry cloth to clean the product.  
Do not use household cleaners.  
Not waterproof

Dimensions: L48 / W18 / H60 CM  
Country of origin: CN

Product weight: 6,00 Kgs

Packaging:  
Dimensions: L69 / W27 / H54 CM  
Total weight incl. product: 7,00 Kgs  
Number of parcels: 1  
Material: Brown cardboard



# 101

C O P E N H A G E N

## SPHERE VASE SQUARE HEXA

The Sphere collection has become synonymous with the visual language and the signature series of 101 Copenhagen.

The series is a family of unique silhouettes and textures gathering in a decorative and sculptural manner. Elegantly sculpted, each vase is finished with an intricate ornate detailing.

Inspired by ancient Chinese vases, a palette of faded earth tones is characteristic of the Sphere collection which was developed in close collaboration with highly skilled ceramists, ensuring the precise contrast between the smooth shapes and sharp edges.

As it is a hand glazed natural product, the colours may vary slightly and while it is not 100% waterproof, a bag for fresh flowers is included.

Designed by Kristian Sofus Hansen & Tommy Hyldahl.



Product no: 203014

Type: Vase - Indoor

Designer / Year of design:  
Kristian Sofus Hansen & Tommy Hyldahl, 2017

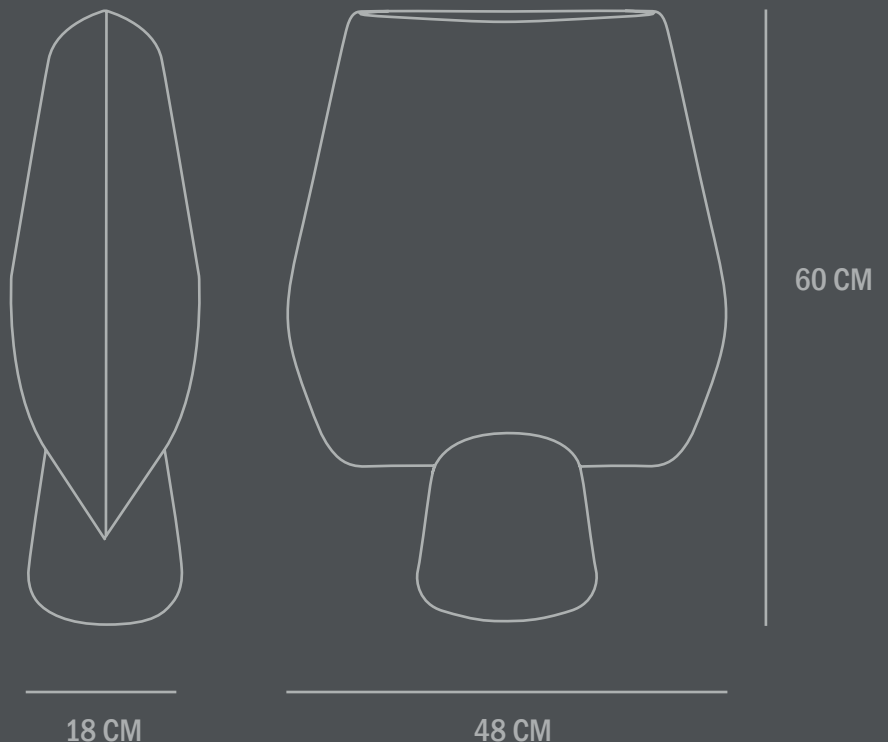
Colour: Sand  
Material: Ceramic

Care instructions:  
Use a soft dry cloth to clean the product.  
Do not use household cleaners.  
Not waterproof

Dimensions: L48 / W18 / H60 CM  
Country of origin: CN

Product weight: 6,00 Kgs

Packaging:  
Dimensions: L69 / W27 / H54 CM  
Total weight incl. product: 7,00 Kgs  
Number of parcels: 1  
Material: Brown cardboard



# 101

C O P E N H A G E N



## SPHERE VASE SQUARE BIG

The Sphere collection has become synonymous with the visual language and the signature series of 101 Copenhagen.

The series is a family of unique silhouettes and textures gathering in a decorative and sculptural manner. Elegantly sculpted, each vase is finished with an intricate ornate detailing.

Inspired by ancient Chinese vases, a palette of faded earth tones is characteristic of the Sphere collection which was developed in close collaboration with highly skilled ceramists, ensuring the precise contrast between the smooth shapes and sharp edges.

As it is a hand glazed natural product, the colours may vary slightly and while it is not 100% waterproof, a bag for fresh flowers is included.

Designed by Kristian Sofus Hansen & Tommy Hyldahl.

Product no: 221011

Type: Vase - Indoor

Designer / Year of design:  
Kristian Sofus Hansen & Tommy Hyldahl, 2017

Colour: Bone White  
Material: Ceramic

Care instructions:  
Use a soft dry cloth to clean the product.  
Do not use household cleaners.  
Not waterproof

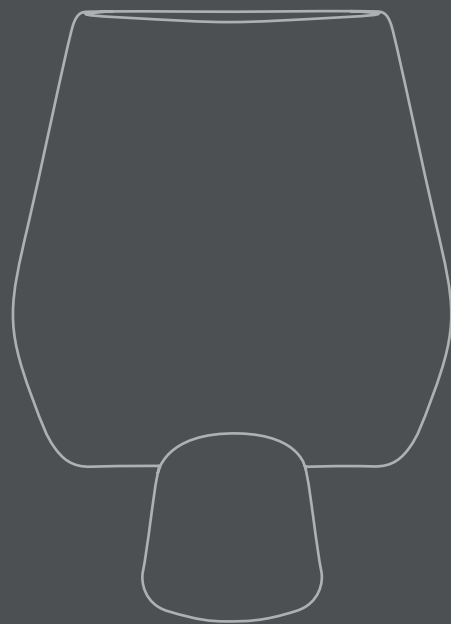
Dimensions: L33 / W16 / H43 CM  
Country of origin: CN

Product weight: 4,00 Kgs

Packaging:  
Dimensions: L41 / W22 / H53 CM  
Total weight incl. product: 5,00 Kgs  
Number of parcels: 1  
Material: Brown cardboard



16 CM



33 CM

43 CM

# 101

C O P E N H A G E N



Product no: 231011

Type: Vase - Indoor

Designer / Year of design:  
Kristian Sofus Hansen & Tommy Hyldahl,  
2021

Colour: Shisen - Bone White  
Material: Ceramic

Care instructions:  
Use a soft dry cloth to clean the product.  
Do not use household cleaners.  
Not waterproof

Dimensions: L33 / W17 / H44 CM  
Country of origin: CN

Product weight: 3,5 Kgs

Packaging:  
Dimensions: L38 / W22,5 / H50 CM  
Total weight incl. product: 5,00 Kgs  
Number of parcels: 1  
Material: Brown cardboard

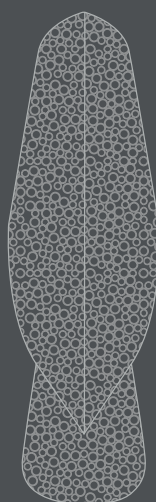
## SPHERE VASE SQUARE SHISEN BIG

The Sphere collection has become synonymous with the visual language and the signature series of 101 Copenhagen. The series is a family of unique silhouettes and textures gathering in a decorative and sculptural manner. Elegantly sculpted, each vase is finished with an intricate ornate detailing. Inspired by ancient Chinese vases, a palette of faded earth tones is characteristic of the Sphere collection which was developed in close collaboration with highly skilled ceramists, ensuring the precise contrast between the smooth shapes and sharp edges. As it is a hand glazed natural product, the colours may vary slightly and while it is not 100% waterproof, a bag for fresh flowers is included.

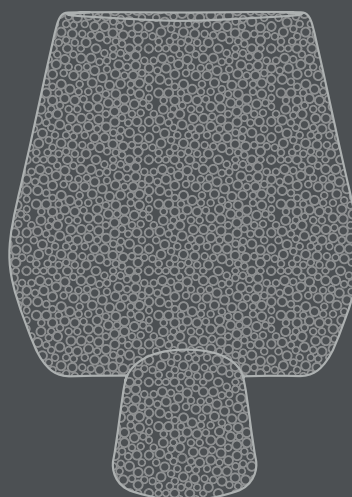
Sphere Shisen is a new edition to the Sphere series, offering a unique detailed finish, with the attempt to create a unique surface of hundreds of small circles fading into a tactile pattern. Shisen is Japanese for a mesh or the way of seeing things.

As it is a hand glazed nature product, the colours may vary slightly and as it is not 100% waterproof, a bag for fresh flowers is included.

Designed by Kristian Sofus Hansen & Tommy Hyldahl.



17 CM



33 CM

44 CM

# 101

C O P E N H A G E N

## SPHERE VASE SQUARE SHISEN BIG

The Sphere collection has become synonymous with the visual language and the signature series of 101 Copenhagen. The series is a family of unique silhouettes and textures gathering in a decorative and sculptural manner. Elegantly sculpted, each vase is finished with an intricate ornate detailing. Inspired by ancient Chinese vases, a palette of faded earth tones is characteristic of the Sphere collection which was developed in close collaboration with highly skilled ceramists, ensuring the precise contrast between the smooth shapes and sharp edges. As it is a hand glazed natural product, the colours may vary slightly and while it is not 100% waterproof, a bag for fresh flowers is included.

Sphere Shisen is a new edition to the Sphere series, offering a unique detailed finish, with the attempt to create a unique surface of hundreds of small circles fading into a tactile pattern. Shisen is Japanese for a mesh or the way of seeing things.

As it is a hand glazed nature product, the colours may vary slightly and as it is not 100% waterproof, a bag for fresh flowers is included.

Designed by Kristian Sofus Hansen & Tommy Hyldahl.



Product no: 231015

Type: Vase - Indoor

Designer / Year of design:  
Kristian Sofus Hansen & Tommy Hyldahl, 2021

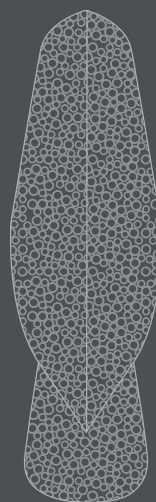
Colour: Shisen - Sand  
Material: Ceramic

Care instructions:  
Use a soft dry cloth to clean the product.  
Do not use household cleaners.  
Not waterproof

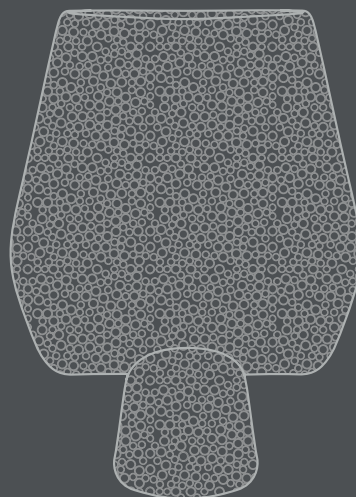
Dimensions: L33 / W17 / H44 CM  
Country of origin: CN

Product weight: 3,5 Kgs

Packaging:  
Dimensions: L38,5 / W22,5 / H50 CM  
Total weight incl. product: 5,00 Kgs  
Number of parcels: 1  
Material: Brown cardboard



17 CM



33 CM

44 CM

# 101

C O P E N H A G E N

## SPHERE VASE SQUARE BIG

The Sphere collection has become synonymous with the visual language and the signature series of 101 Copenhagen.

The series is a family of unique silhouettes and textures gathering in a decorative and sculptural manner. Elegantly sculpted, each vase is finished with an intricate ornate detailing.

Inspired by ancient Chinese vases, a palette of faded earth tones is characteristic of the Sphere collection which was developed in close collaboration with highly skilled ceramists, ensuring the precise contrast between the smooth shapes and sharp edges.

As it is a hand glazed natural product, the colours may vary slightly and while it is not 100% waterproof, a bag for fresh flowers is included.

Designed by Kristian Sofus Hansen & Tommy Hyldahl.



Product no: 213021

Type: Vase - Indoor

Designer / Year of design:  
Kristian Sofus Hansen & Tommy Hyldahl, 2017

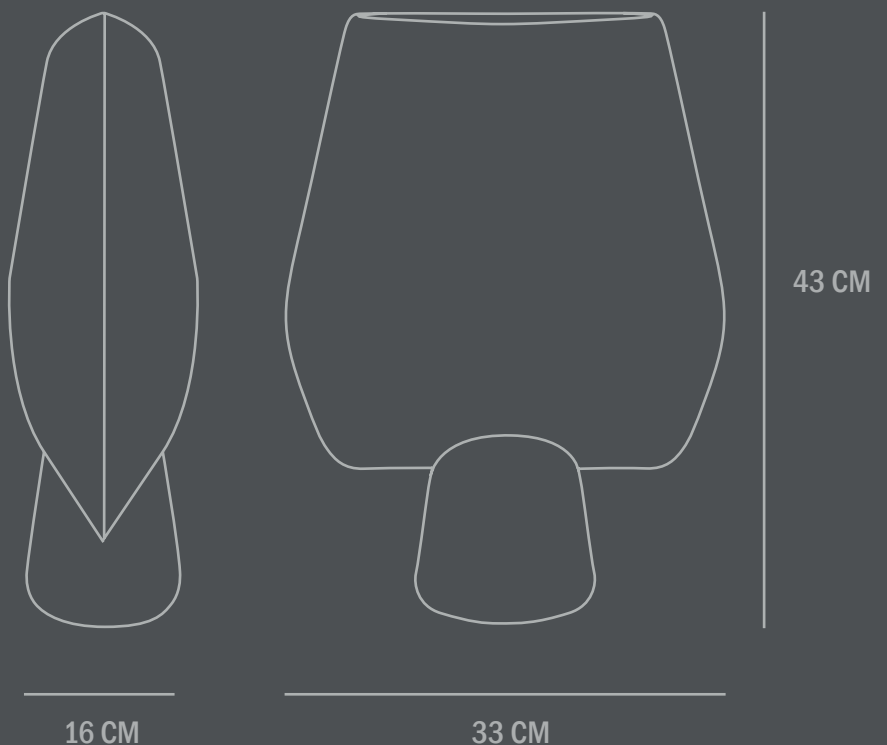
Colour: Black  
Material: Ceramic

Care instructions:  
Use a soft dry cloth to clean the product.  
Do not use household cleaners.  
Not waterproof

Dimensions: L33 / W16 / H43 CM  
Country of origin: CN

Product weight: 4,00 Kgs

Packaging:  
Dimensions: L41 / W22 / H53 CM  
Total weight incl. product: 5,00 Kgs  
Number of parcels: 1  
Material: Brown cardboard



# 101

C O P E N H A G E N



## SPHERE VASE SQUARE BIG

The Sphere collection has become synonymous with the visual language and the signature series of 101 Copenhagen.

The series is a family of unique silhouettes and textures gathering in a decorative and sculptural manner. Elegantly sculpted, each vase is finished with an intricate ornate detailing.

Inspired by ancient Chinese vases, a palette of faded earth tones is characteristic of the Sphere collection which was developed in close collaboration with highly skilled ceramists, ensuring the precise contrast between the smooth shapes and sharp edges.

As it is a hand glazed natural product, the colours may vary slightly and while it is not 100% waterproof, a bag for fresh flowers is included.

Designed by Kristian Sofus Hansen & Tommy Hyldahl.

Product no: 202001

Type: Vase - Indoor

Designer / Year of design:  
Kristian Sofus Hansen & Tommy Hyldahl, 2017

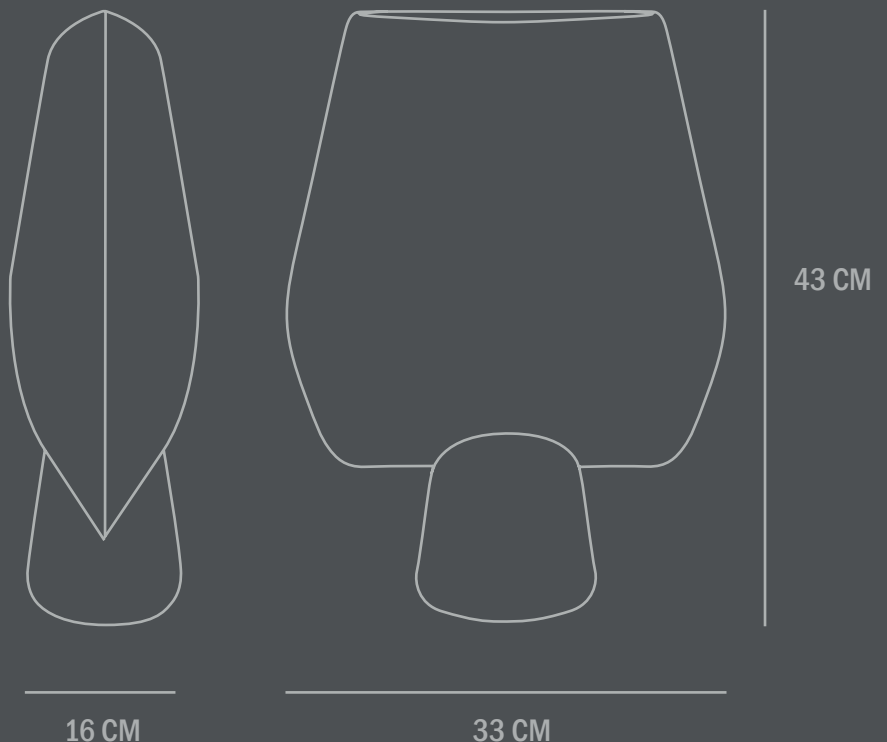
Colour: Bubble White  
Material: Ceramic

Care instructions:  
Use a soft dry cloth to clean the product.  
Do not use household cleaners.  
Not waterproof

Dimensions: L33 / W16 / H43 CM  
Country of origin: CN

Product weight: 4,00 Kgs

Packaging:  
Dimensions: L41 / W22 / H53 CM  
Total weight incl. product: 5,00 Kgs  
Number of parcels: 1  
Material: Brown cardboard



# 101

C O P E N H A G E N



## SPHERE VASE SQUARE BIG

The Sphere collection has become synonymous with the visual language and the signature series of 101 Copenhagen.

The series is a family of unique silhouettes and textures gathering in a decorative and sculptural manner. Elegantly sculpted, each vase is finished with an intricate ornate detailing.

Inspired by ancient Chinese vases, a palette of faded earth tones is characteristic of the Sphere collection which was developed in close collaboration with highly skilled ceramists, ensuring the precise contrast between the smooth shapes and sharp edges.

As it is a hand glazed natural product, the colours may vary slightly and while it is not 100% waterproof, a bag for fresh flowers is included.

Designed by Kristian Sofus Hansen & Tommy Hyldahl.

Product no: 111183

Type: Vase - Indoor

Designer / Year of design:  
Kristian Sofus Hansen & Tommy Hyldahl, 2017

Colour: Coffee  
Material: Ceramic

Care instructions:  
Use a soft dry cloth to clean the product.  
Do not use household cleaners.  
Not waterproof

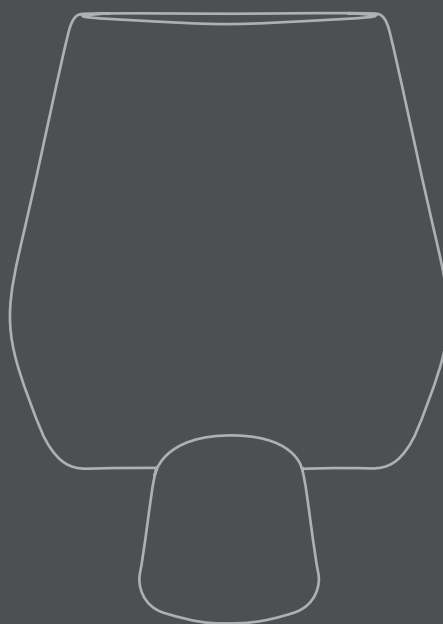
Dimensions: L33 / W16 / H43 CM  
Country of origin: CN

Product weight: 4,00 Kgs

Packaging:  
Dimensions: L41 / W22 / H53 CM  
Total weight incl. product: 5,00 Kgs  
Number of parcels: 1  
Material: Brown cardboard



16 CM



33 CM

43 CM



# 101

C O P E N H A G E N



## SPHERE VASE SQUARE BIG

The Sphere collection has become synonymous with the visual language and the signature series of 101 Copenhagen.

The series is a family of unique silhouettes and textures gathering in a decorative and sculptural manner. Elegantly sculpted, each vase is finished with an intricate ornate detailing.

Inspired by ancient Chinese vases, a palette of faded earth tones is characteristic of the Sphere collection which was developed in close collaboration with highly skilled ceramists, ensuring the precise contrast between the smooth shapes and sharp edges.

As it is a hand glazed natural product, the colours may vary slightly and while it is not 100% waterproof, a bag for fresh flowers is included.

Designed by Kristian Sofus Hansen & Tommy Hyldahl.

Product no: 211221

Type: Vase - Indoor

Designer / Year of design:  
Kristian Sofus Hansen & Tommy Hyldahl, 2017

Colour: Dark grey  
Material: Ceramic

Care instructions:  
Use a soft dry cloth to clean the product.  
Do not use household cleaners.  
Not waterproof

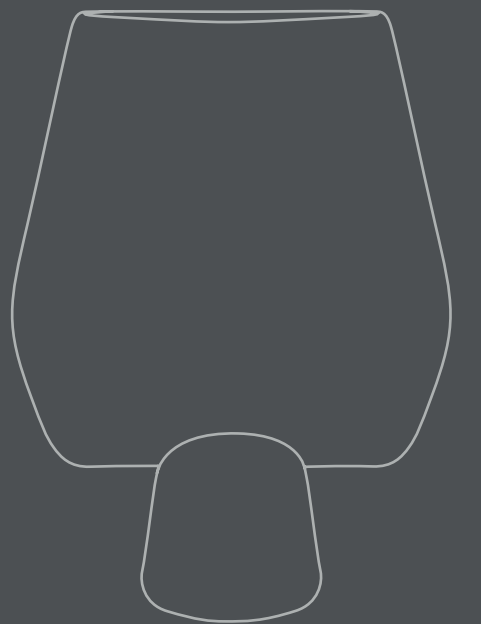
Dimensions: L33 / W16 / H43 CM  
Country of origin: CN

Product weight: 4,00 Kgs

Packaging:  
Dimensions: L41 / W22 / H53 CM  
Total weight incl. product: 5,00 Kgs  
Number of parcels: 1  
Material: Brown cardboard



16 CM



33 CM

43 CM

# 101

C O P E N H A G E N

## SPHERE VASE SQUARE BIG

The Sphere collection has become synonymous with the visual language and the signature series of 101 Copenhagen.

The series is a family of unique silhouettes and textures gathering in a decorative and sculptural manner. Elegantly sculpted, each vase is finished with an intricate ornate detailing.

Inspired by ancient Chinese vases, a palette of faded earth tones is characteristic of the Sphere collection which was developed in close collaboration with highly skilled ceramists, ensuring the precise contrast between the smooth shapes and sharp edges.

As it is a hand glazed natural product, the colours may vary slightly and while it is not 100% waterproof, a bag for fresh flowers is included.

Designed by Kristian Sofus Hansen & Tommy Hyldahl.



Product no: 111028

Type: Vase - Indoor

Designer / Year of design:  
Kristian Sofus Hansen & Tommy Hyldahl, 2017

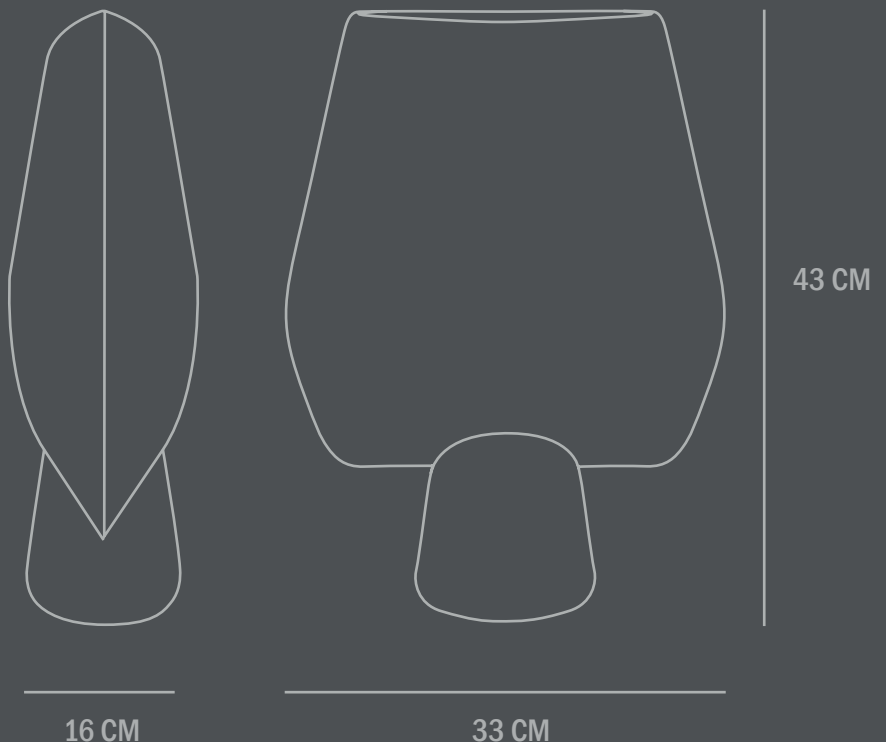
Colour: Sand  
Material: Ceramic

Care instructions:  
Use a soft dry cloth to clean the product.  
Do not use household cleaners.  
Not waterproof

Dimensions: L33 / W16 / H43 CM  
Country of origin: CN

Product weight: 4,00 Kgs

Packaging:  
Dimensions: L41 / W22 / H53 CM  
Total weight incl. product: 5,00 Kgs  
Number of parcels: 1  
Material: Brown cardboard



# 101

C O P E N H A G E N



## SPHERE VASE SQUARE BIG

The Sphere collection has become synonymous with the visual language and the signature series of 101 Copenhagen.

The series is a family of unique silhouettes and textures gathering in a decorative and sculptural manner. Elegantly sculpted, each vase is finished with an intricate ornate detailing.

Inspired by ancient Chinese vases, a palette of faded earth tones is characteristic of the Sphere collection which was developed in close collaboration with highly skilled ceramists, ensuring the precise contrast between the smooth shapes and sharp edges.

As it is a hand glazed natural product, the colours may vary slightly and while it is not 100% waterproof, a bag for fresh flowers is included.

Designed by Kristian Sofus Hansen & Tommy Hyldahl.

Product no: 212008

Type: Vase - Indoor

Designer / Year of design:  
Kristian Sofus Hansen & Tommy Hyldahl, 2017

Colour: Terracotta  
Material: Ceramic

Care instructions:  
Use a soft dry cloth to clean the product.  
Do not use household cleaners.  
Not waterproof

Dimensions: L33 / W16 / H43 CM  
Country of origin: CN

Product weight: 4,00 Kgs

Packaging:  
Dimensions: L41 / W22 / H53 CM  
Total weight incl. product: 5,00 Kgs  
Number of parcels: 1  
Material: Brown cardboard

