



PRODUCT SHEET

**The Penguin Dining Chair**  
*by Ib Kofod-Larsen*



# The Penguin Dining Chair, Veneer

BY IB KOFOD-LARSEN

A mid-century bestseller from the hand of Ib Kofod-Larsen, The Penguin Dining Chair remains as popular today as when it was first introduced in 1953. Light and elegant with its curved wooden back and seat, it continues to offer unparalleled sitting comfort.



## PRODUCT OPTIONS

### SHELL



NATURAL OAK



WALNUT

### STEEL BASE



BLACK POWDER COATED STEEL



# The Penguin Dining Chair, Veneer

BY IB KOFOD-LARSEN

## TECHNICAL SPECIFICATIONS

**PRODUCT TYPE**  
Dining chair

**COLLI**  
1

**ENVIRONMENT**  
Indoor

**DIMENSIONS**  
H: 82 cm / 32,28"  
SH: 47 cm / 18,5"  
AH: 64,4 cm / 23,35"  
W: 56 cm / 22,05"  
D: 57 cm / 18,5"

### PRODUCTION PROCESS

The cut steel frame is welded by robotic welding, and then powder coated to obtain a robust surface. The seat and back is made from bended plywood, which is then oiled for a soft and protective finish.

### COLOUR

**Seat & Back**  
Natural oak  
Walnut

**Base**  
Black (RAL 9005)

**GLOSS**  
Gloss 10-20

### MATERIALS

Powder coated steel, curved plywood and oak or walnut veneer.

**WEIGHT**  
13 kg / 28,6 lb

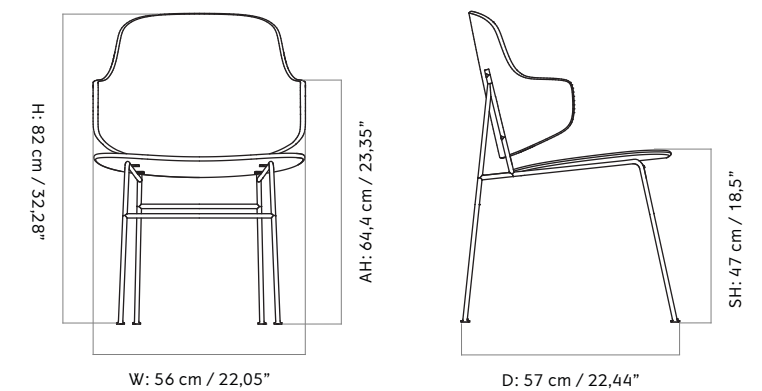
**TEST**  
N / A

**CERTIFICATIONS**  
Crafted from FSC certified oak and ash

**PACKAGING TYPE**  
Brown box

**PACKAGING MEASUREMENTS (H x W x D)**  
90 cm x 66 cm x 72 cm / 35,4" x 25,9" x 28,3"

**MATERIALS & MAINTENANCE**  
Please visit [menuspace.com](https://www.menuspace.com) for materials and care and maintenance instructions.





# The Penguin Dining Chair, Upholstered Seat

BY IB KOFOD-LARSEN

A mid-century bestseller from the hand of Ib Kofod-Larsen, The Penguin Dining Chair remains as popular today as when it was first introduced in 1953. Light and elegant with its curved wooden back and upholstered seat, it continues to offer unparalleled sitting comfort thanks to its considered combination of quality craftsmanship and premium materials.



## PRODUCT OPTIONS

### BACKREST



NATURAL OAK



WALNUT

### STEEL BASE



BLACK POWDER COATED STEEL



# The Penguin Dining Chair, Upholstered Seat

BY IB KOFOD-LARSEN

## TECHNICAL SPECIFICATIONS

### PRODUCT TYPE

Dining chair

### COLLI

1

### ENVIRONMENT

Indoor

### DIMENSIONS

H: 82 cm / 32,28"

SH: 47 cm / 18,5"

AH: 64,4 cm / 23,35"

W: 56 cm / 22,05"

D: 57 cm / 18,5"

### PRODUCTION PROCESS

The cut steel frame is welded by robotic welding, and then powder coated to obtain a robust surface. The back is made from bended plywood, which is then oiled for a soft and protective finish. The upholstered seat is produced by gluing foam onto the bended plywood shell upon which the textile or leather is mounted.

### COLOUR

#### Back

Natural oak

Walnut

#### Seat

Dependent upon selected upholstery

#### Base

Black (RAL 9005)

### GLOSS

Gloss 10-20

### MATERIALS

Powder coated steel, curved plywood, oak or walnut veneer, foam and upholstery.

### WEIGHT

13 kg / 28,6 lb

### TEST

N / A

### CERTIFICATIONS

Crafted from FSC certified oak and ash

### PACKAGING TYPE

Brown box

### PACKAGING MEASUREMENTS (H x W x D)

90 cm x 66 cm x 72 cm / 35,4" x 25,9" x 28,3"

### MATERIALS & MAINTENANCE

Please visit [menuspace.com](https://www.menuspace.com) for materials and care and maintenance instructions.

