



EMPIRE VASE BIG

Rich on architectural references, the Empire Vases reminisces building facades to create a slim and vertical design.

The riffled surface creates a tactile feeling and shadows changes the vase throughout the day. The height of the Empire Vases makes them ideal for tall flower decorations and long branches.

The series is made of ceramic as it is a hand glazed natural product, the colours may vary slightly and while it is not 100% waterproof, a bag for fresh flowers is included.

Designed by Kristian Sofus Hansen & Tommy Hyldahl.

Product no: 223034

Type: Vase - Indoor

Designer / Year of design:
Kristian Sofus Hansen & Tommy Hyldahl, 2021

Colour: Dark Grey
Material: Ceramic

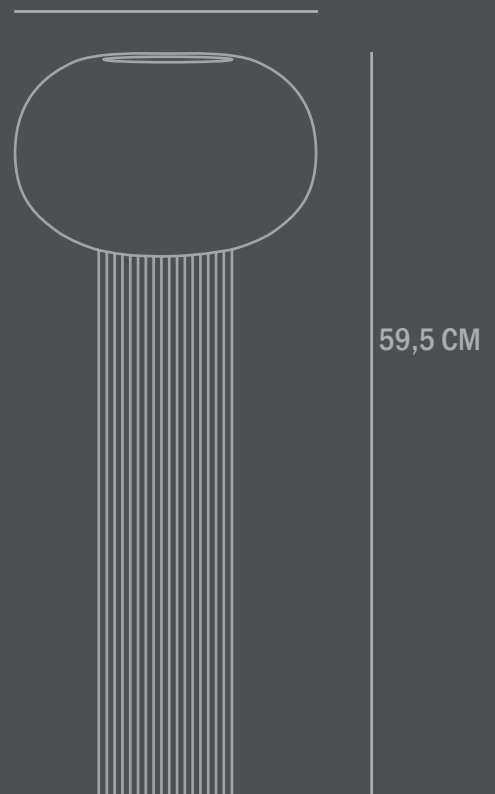
Care instructions:
Use a soft dry cloth to clean the product.
Do not use household cleaners.
Not waterproof

Dimensions: L24 / W24 / H59,5 CM
Country of origin: CN

Product weight: 2,1 Kgs

Packaging:
Dimensions: L30 / W30 / H73,5 CM
Total weight incl. product: 1 Kgs
Number of parcels: 1
Material: Brown cardboard

24 CM





EMPIRE VASE BIG

Rich on architectural references, the Empire Vases reminisces building facades to create a slim and vertical design.

The riffled surface creates a tactile feeling and shadows changes the vase throughout the day. The height of the Empire Vases makes them ideal for tall flower decorations and long branches.

The series is made of ceramic as it is a hand glazed natural product, the colours may vary slightly and while it is not 100% waterproof, a bag for fresh flowers is included.

Designed by Kristian Sofus Hansen & Tommy Hyldahl.

Product no: 223035

Type: Vase - Indoor

Designer / Year of design:
Kristian Sofus Hansen & Tommy Hyldahl, 2021

Colour: Sand
Material: Ceramic

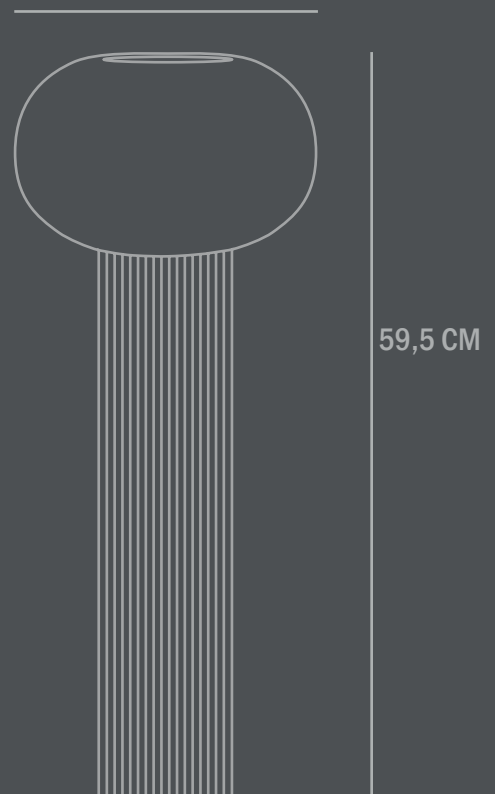
Care instructions:
Use a soft dry cloth to clean the product.
Do not use household cleaners.
Not waterproof

Dimensions: L24 / W24 / H59,5 CM
Country of origin: CN

Product weight: 2,1 Kgs

Packaging:
Dimensions: L30 / W30 / H73,5 CM
Total weight incl. product: 1 Kgs
Number of parcels: 1
Material: Brown cardboard

24 CM



101

C O P E N H A G E N



EMPIRE VASE MINI

Rich on architectural references, the Empire Vases reminisces building facades to create a slim and vertical design.

The riffled surface creates a tactile feeling and shadows changes the vase throughout the day. The height of the Empire Vases makes them ideal for tall flower decorations and long branches.

The series is made of ceramic as it is a hand glazed natural product, the colours may vary slightly and while it is not 100% waterproof, a bag for fresh flowers is included.

Designed by Kristian Sofus Hansen & Tommy Hyldahl.

Product no: 223036

Type: Vase - Indoor

Designer / Year of design:
Kristian Sofus Hansen & Tommy Hyldahl, 2021

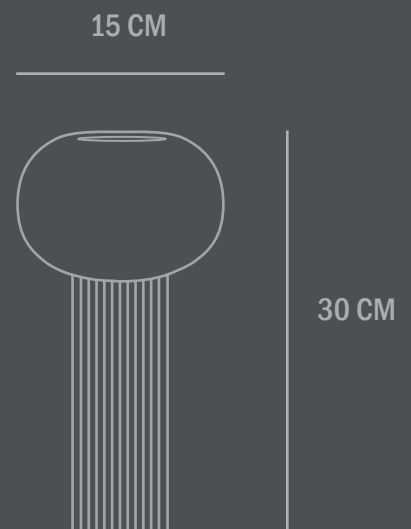
Colour: Dark Grey
Material: Ceramic

Care instructions:
Use a soft dry cloth to clean the product.
Do not use household cleaners.
Not waterproof

Dimensions: L15 / W15 / H30 CM
Country of origin: CN

Product weight: 0,9 Kgs

Packaging:
Dimensions: L19,5 / W19,5 / H36,5 CM
Total weight incl. product: 1 Kgs
Number of parcels: 1
Material: Brown cardboard



101

C O P E N H A G E N



EMPIRE VASE MINI

Rich on architectural references, the Empire Vases reminisces building facades to create a slim and vertical design.

The riffled surface creates a tactile feeling and shadows changes the vase throughout the day. The height of the Empire Vases makes them ideal for tall flower decorations and long branches.

The series is made of ceramic as it is a hand glazed natural product, the colours may vary slightly and while it is not 100% waterproof, a bag for fresh flowers is included.

Designed by Kristian Sofus Hansen & Tommy Hyldahl.

Product no: 223037

Type: Vase - Indoor

Designer / Year of design:
Kristian Sofus Hansen & Tommy Hyldahl, 2021

Colour: Sand
Material: Ceramic

Care instructions:
Use a soft dry cloth to clean the product.
Do not use household cleaners.
Not waterproof

Dimensions: L15 / W15 / H30 CM
Country of origin: CN

Product weight: 0,9 Kgs

Packaging:
Dimensions: L19,5 / W19,5 / H36,5 CM
Total weight incl. product: 1 Kgs
Number of parcels: 1
Material: Brown cardboard

