



FLOYD

design Piero Lissoni

Modular elements of different sizes with structure in double-panelled poplar and fir-wood and padding in differentiated density polyurethane foam. Base sprung with coated rubber elastic straps, padded in polyurethane foam covered in needle punched, resinated, nonwoven polyester fibre, bonded onto a polyamide velveteen backing. Backrest and armrest cushion in prewashed and sterilized goose down, stitched into separate compartments, with polyurethane foam insert.

Seat cushion in differentiated density polyurethane foam and Visco-soft insert, covered with acrylic fibre layers.

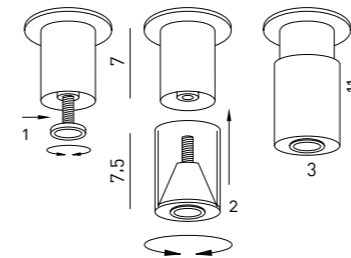
Black adjustable PVC feet.

Fabric or leather upholstery, both fully removable by zippers and Velcro fastenings.

The various elements are joined together by means of hooks. Seat depth: 68-94-120cm.

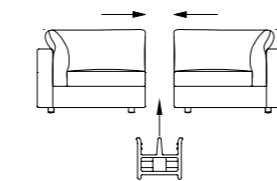
Notes

On request can be ordered a spacer, to lift the elements of further 4cm, to be screwed to the standard feet.

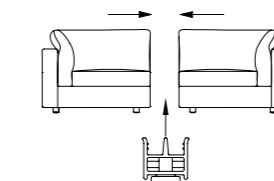


The various elements are joined together by means of hooks, as per the instructions supplied with the product.

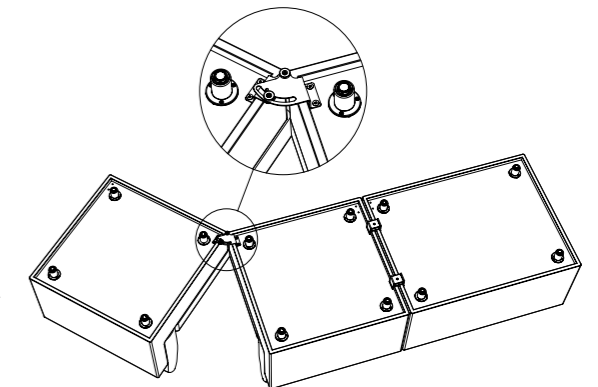
Hooks for assembly elements with standard feet in PVC.



Hooks for assembly elements with feet with spacers.



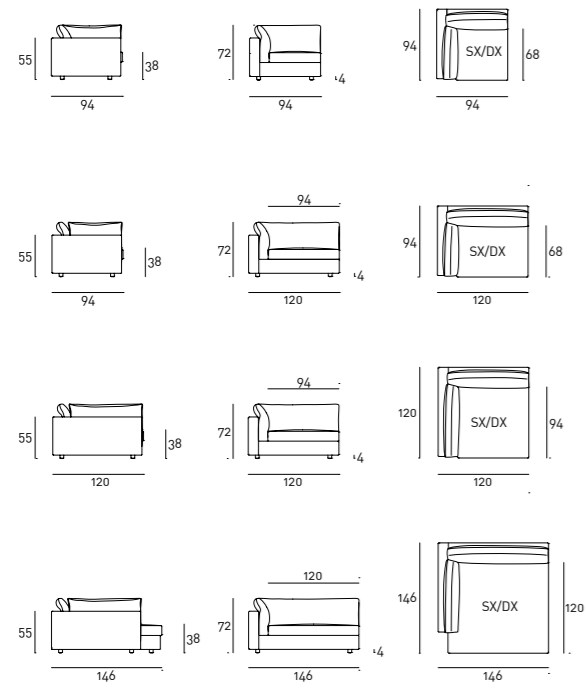
On request, a "compass" mechanism is available to allow the opening of modular elements with same depth.



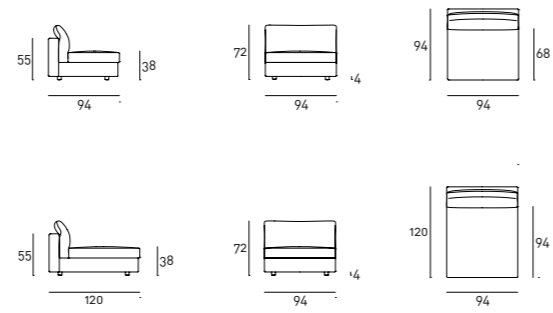
For composition with different elements, please attach a general sketch to the order.

For "element island" (FLYE155), the central seam can be avoided with plain fabrics, without direction and with a height of at least 140 cm.

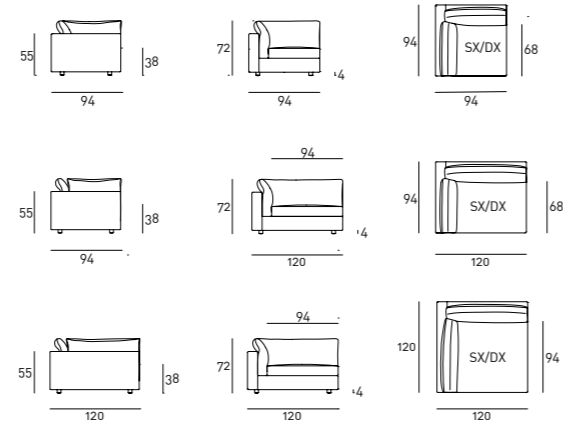
Technical Drawings
Terminal Element



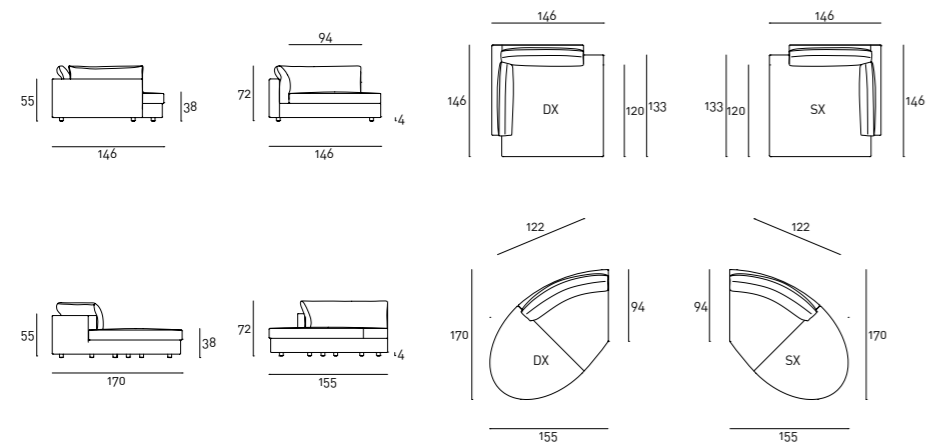
Central Element



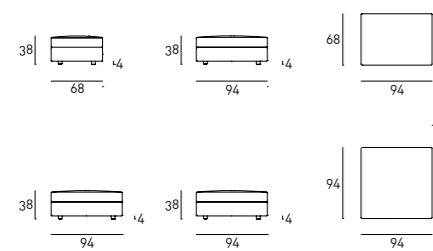
Corner Element



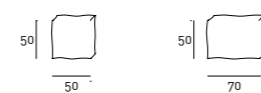
Island Element



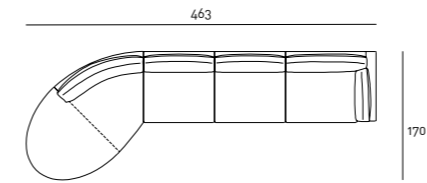
Footrest



Loose Cushion

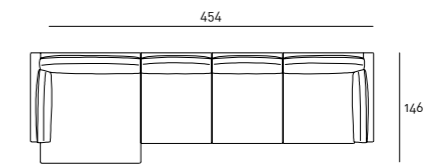


Examples of Composition
Composition 01



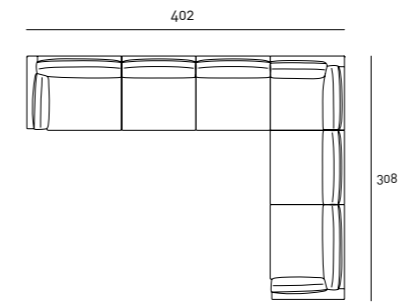
FLYE155 DX
FLYE094094
FLYE094120
FLYT12094 DX

Composition 02



FLYT146 SX
FLYE094120
FLYE094120
FLYT120120 DX

Composition 03



FLYT12094 SX
FLYE094094
FLYE094094
FLYA094
FLYE094094
FLYT12094 DX

The commercial codes refer to the elements chosen in the above-proposed compositions.

