

101

C O P E N H A G E N



GUGGENHEIM BIG

The connection between the sharp archetypical geometric lines and thin silhouettes of the Guggenheim collection creates a decorative, optical illusion.

Its three-dimensional form is intriguing from any angle. The texture of the handmade surface beautifully catches the light and becomes an artistic object in the space.

The hand glazed ceramic collection may vary slightly in terms of colour and it is not 100% waterproof.

Designed by Kristian Sofus Hansen & Tommy Hyldahl.

Product no: 203004

Type: Vase - Indoor

Designer / Year of design:
Kristian Sofus Hansen & Tommy Hyldahl, 2017

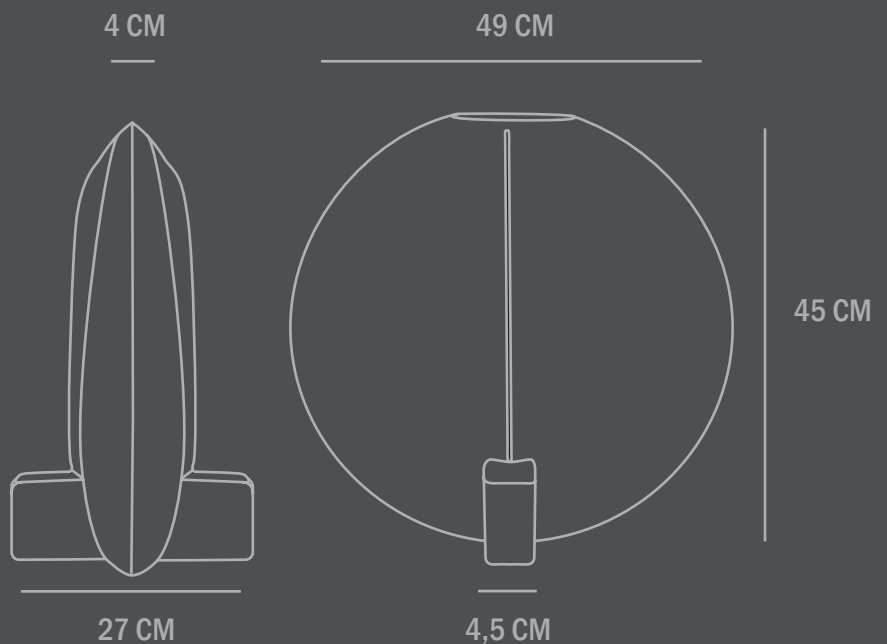
Colour: Black
Material: Ceramic

Care instructions:
Use a soft dry cloth to clean the product.
Do not use household cleaners.
Not waterproof

Dimensions: L49 / W27 / H45 CM
Country of origin: CN

Product weight: 4,50 Kgs

Packaging:
Dimensions: L52 / W35 / H56 CM
Total weight incl. product: 5,00 Kgs
Number of parcels: 1
Material: Brown cardboard



101

C O P E N H A G E N



GUGGENHEIM BIG

The connection between the sharp archetypical geometric lines and thin silhouettes of the Guggenheim collection creates a decorative, optical illusion.

Its three-dimensional form is intriguing from any angle. The texture of the handmade surface beautifully catches the light and becomes an artistic object in the space.

The hand glazed ceramic collection may vary slightly in terms of colour and it is not 100% waterproof.

Designed by Kristian Sofus Hansen & Tommy Hyldahl.

Product no: 111219

Type: Vase - Indoor

Designer / Year of design:
Kristian Sofus Hansen & Tommy Hyldahl, 2017

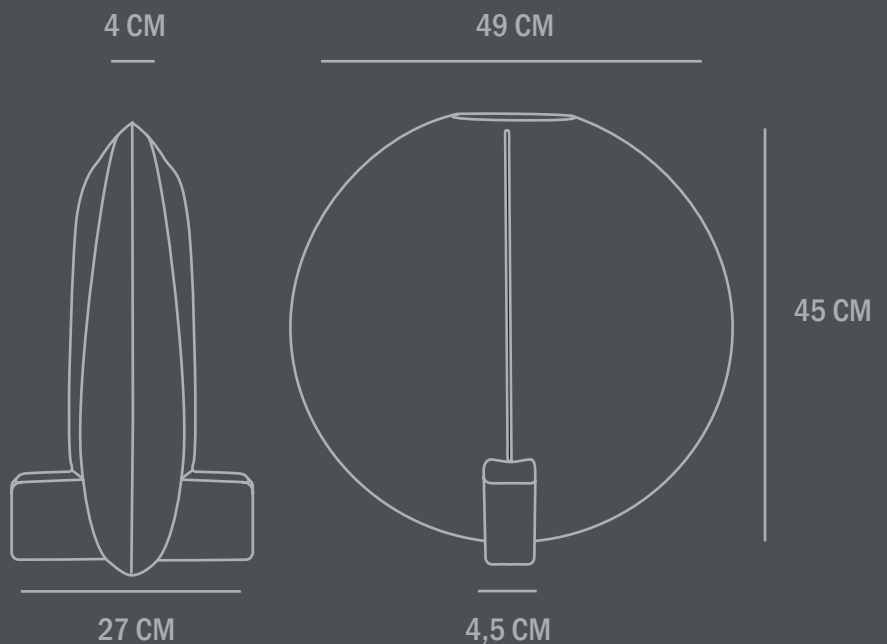
Colour: Coffee
Material: Ceramic

Care instructions:
Use a soft dry cloth to clean the product.
Do not use household cleaners.
Not waterproof

Dimensions: L49 / W27 / H45 CM
Country of origin: CN

Product weight: 4,50 Kgs

Packaging:
Dimensions: L52 / W35 / H56 CM
Total weight incl. product: 5,00 Kgs
Number of parcels: 1
Material: Brown cardboard



101

C O P E N H A G E N



GUGGENHEIM BIG

The connection between the sharp archetypical geometric lines and thin silhouettes of the Guggenheim collection creates a decorative, optical illusion.

Its three-dimensional form is intriguing from any angle. The texture of the handmade surface beautifully catches the light and becomes an artistic object in the space.

The hand glazed ceramic collection may vary slightly in terms of colour and it is not 100% waterproof.

Designed by Kristian Sofus Hansen & Tommy Hyldahl.

Product no: 111125

Type: Vase - Indoor

Designer / Year of design:
Kristian Sofus Hansen & Tommy Hyldahl, 2017

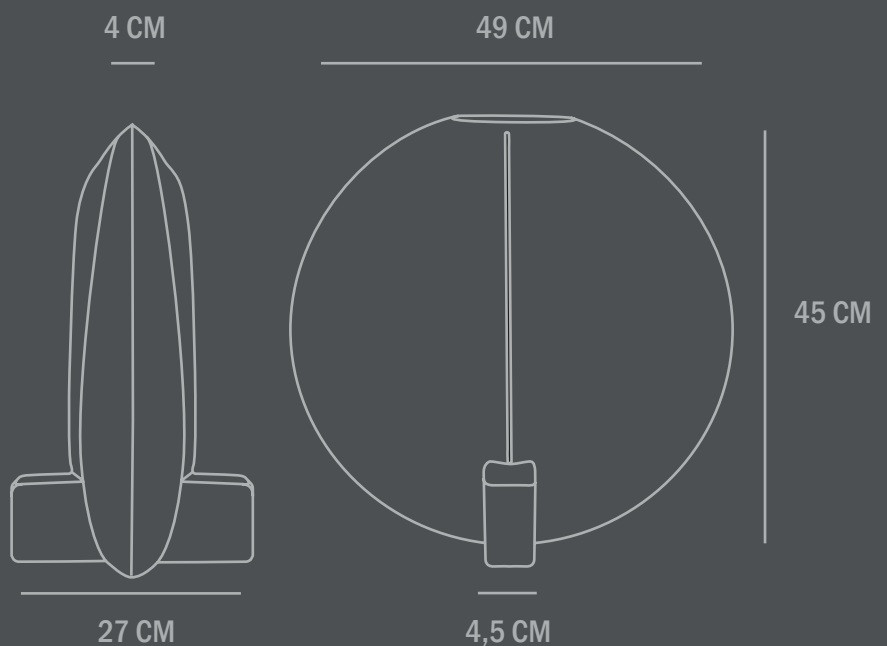
Colour: Dark Grey
Material: Ceramic

Care instructions:
Use a soft dry cloth to clean the product.
Do not use household cleaners.
Not waterproof

Dimensions: L49 / W27 / H45 CM
Country of origin: CN

Product weight: 4,50 Kgs

Packaging:
Dimensions: L52 / W35 / H56 CM
Total weight incl. product: 5,00 Kgs
Number of parcels: 1
Material: Brown cardboard



101

C O P E N H A G E N



GUGGENHEIM PETIT

The connection between the sharp archetypical geometric lines and thin silhouettes of the Guggenheim collection creates a decorative, optical illusion.

Its three-dimensional form is intriguing from any angle. The texture of the handmade surface beautifully catches the light and becomes an artistic object in the space.

The hand glazed ceramic collection may vary slightly in terms of colour and it is not 100% waterproof.

Designed by Kristian Sofus Hansen & Tommy Hyldahl.

Product no: 213042

Type: Vase - Indoor

Designer / Year of design:
Kristian Sofus Hansen & Tommy Hyldahl, 2020

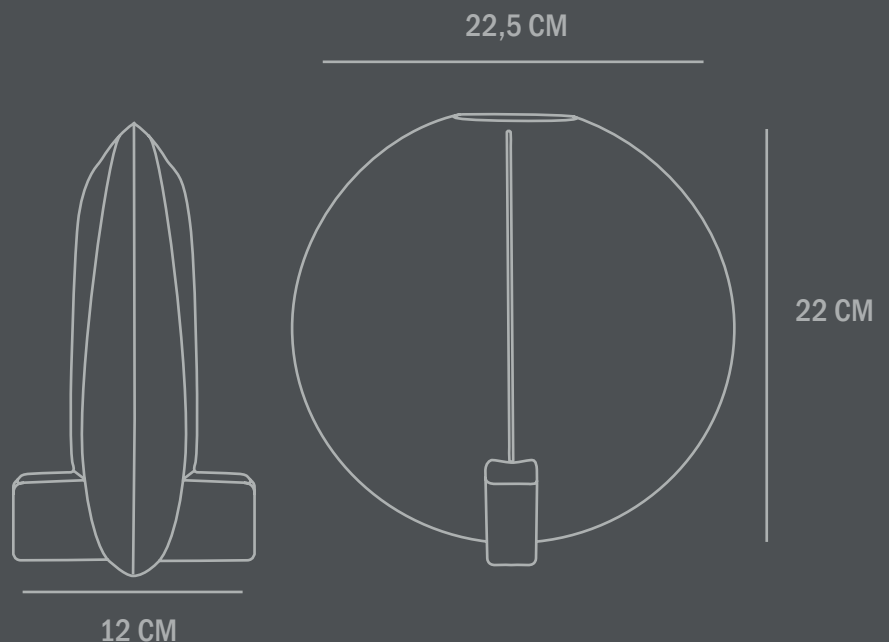
Colour: Black
Material: Ceramic

Care instructions:
Use a soft dry cloth to clean the product.
Do not use household cleaners.
Not waterproof

Dimensions: L23 / W12 / H23 CM
Country of origin: CN

Product weight: 1,00 Kgs

Packaging:
Dimensions: L27 / W18 / H28 CM
Total weight incl. product: 1,10 Kgs
Number of parcels: 1
Material: Brown cardboard



101

C O P E N H A G E N



GUGGENHEIM PETIT

The connection between the sharp archetypical geometric lines and thin silhouettes of the Guggenheim collection creates a decorative, optical illusion.

Its three-dimensional form is intriguing from any angle. The texture of the handmade surface beautifully catches the light and becomes an artistic object in the space.

The hand glazed ceramic collection may vary slightly in terms of colour and it is not 100% waterproof.

Designed by Kristian Sofus Hansen & Tommy Hyldahl.

Product no: 213043

Type: Vase - Indoor

Designer / Year of design:
Kristian Sofus Hansen & Tommy Hyldahl, 2020

Colour: Bone White
Material: Ceramic

Care instructions:
Use a soft dry cloth to clean the product.
Do not use household cleaners.
Not waterproof

Dimensions: L23 / W12 / H23 CM
Country of origin: CN

Product weight: 1,00 Kgs

Packaging:
Dimensions: L27 / W18 / H28 CM
Total weight incl. product: 1,10 Kgs
Number of parcels: 1
Material: Brown cardboard

