

# 101

C O P E N H A G E N



## BRUTUS DINING CHAIR

Inspired by the Brutalist architecture movement of the mid-20th century, the Brutus collection comprises a dining chair, a lounge chair, a stool, and a coffee table cast in lightweight fiber concrete creating a unique surface texture increasing mobility.

Each piece is hand painted to create a textured, unique surface. Emphasizing the fine balance between sharp architectural lines and a somewhat softer curve in the back and armrest, the Brutus collection is sculptural statement pieces with a compelling seating comfort.

Designed by Kristian Sofus Hansen & Tommy Hyldahl.

Product no: 221023

Type: Dining Chair

Designer / Year of design:  
Kristian Sofus Hansen & Tommy Hyldahl, 2017

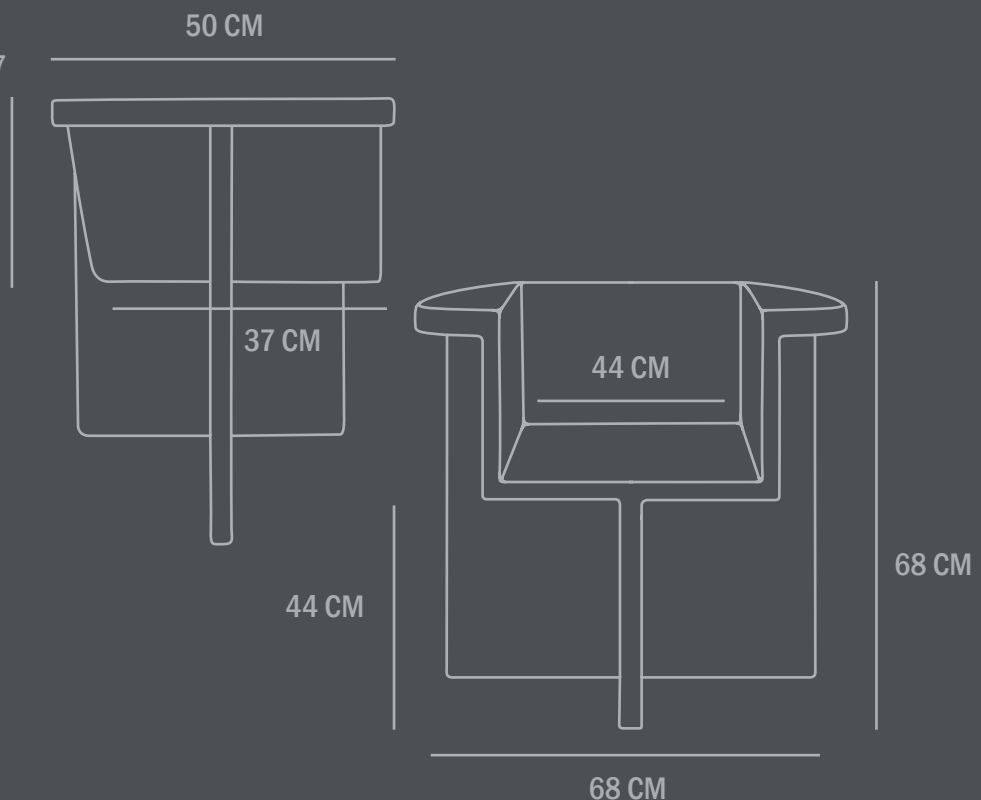
Colour: Bone White  
Material: Fiber Concrete

Care instructions:  
Use a soft dry cloth to clean the product.  
Do not use household cleaners.  
Not frost-proof

Dimensions: L69 / W50 / H60 CM  
Seat height: 44 CM / Seat depth: 37 CM  
Backrest height: 24 CM  
Weight capacity: 150 Kgs

Country of origin: CN  
Product weight: 16 Kgs

Packaging:  
Dimensions: L82 / W63 / H87 CM  
Total weight incl. product: 21,5 Kgs  
Number of parcels: 1  
Material: Brown cardboard



# 101

C O P E N H A G E N



## BRUTUS DINING CHAIR

Inspired by the Brutalist architecture movement of the mid-20th century, the Brutus collection comprises a dining chair, a lounge chair, a stool, and a coffee table cast in lightweight fiber concrete creating a unique surface texture increasing mobility.

Each piece is hand painted to create a textured, unique surface. Emphasizing the fine balance between sharp architectural lines and a somewhat softer curve in the back and armrest, the Brutus collection is sculptural statement pieces with a compelling seating comfort.

Designed by Kristian Sofus Hansen & Tommy Hyldahl.

Product no: 201005

Type: Dining Chair

Designer / Year of design:  
Kristian Sofus Hansen & Tommy Hyldahl, 2017

Colour: Coffee

Material: Fiber Concrete

Care instructions:

Use a soft dry cloth to clean the product.

Do not use household cleaners.

Not frost-proof

Dimensions: L68 / W50 / H68 CM

Seat height: 44 CM / Seat depth: 37 CM

Backrest height: 24 CM

Weight capacity: 150 Kgs

Country of origin: CN

Product weight: 17 Kgs

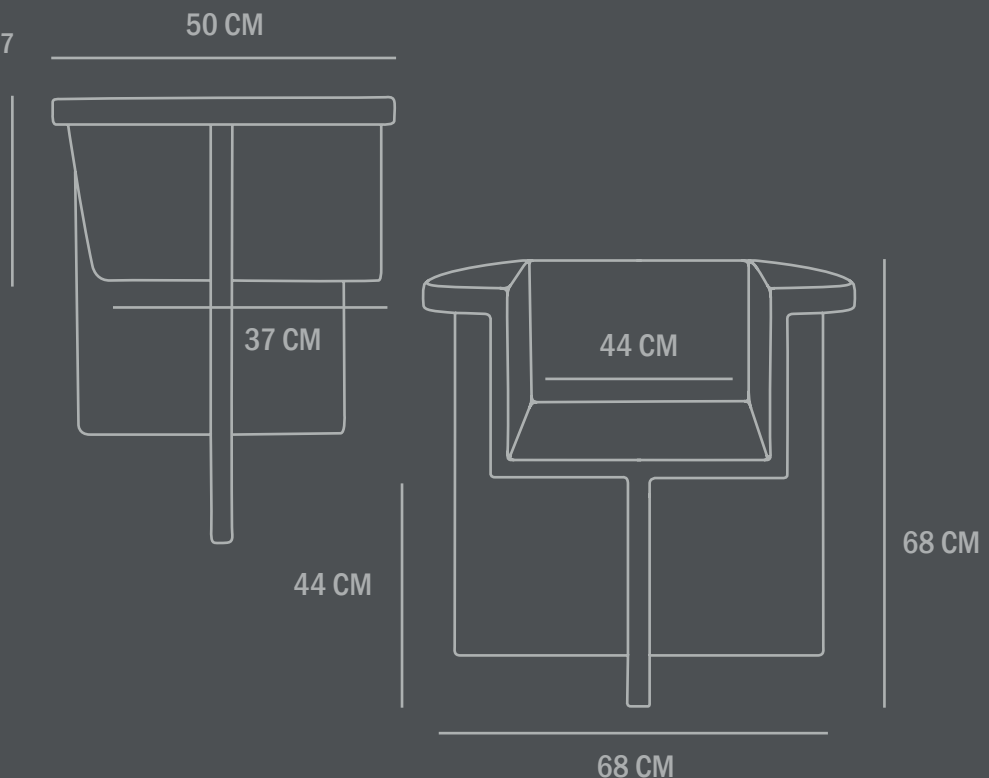
Packaging:

Dimensions: L80 / W61 / H76 CM

Total weight incl. product: 19 Kgs

Number of parcels: 1

Material: Brown cardboard





## BRUTUS DINING CHAIR

Inspired by the Brutalist architecture movement of the mid-20th century, the Brutus collection comprises a dining chair, a lounge chair, a stool, and a coffee table cast in lightweight fiber concrete creating a unique surface texture increasing mobility.

Each piece is hand painted to create a textured, unique surface. Emphasizing the fine balance between sharp architectural lines and a somewhat softer curve in the back and armrest, the Brutus collection is sculptural statement pieces with a compelling seating comfort.

Designed by Kristian Sofus Hansen & Tommy Hyldahl.

Product no: 212011

Type: Dining Chair

Designer / Year of design:  
Kristian Sofus Hansen & Tommy Hyldahl, 2017

Colour: Sand  
Material: Fiber Concrete

Care instructions:  
Use a soft dry cloth to clean the product.  
Do not use household cleaners.  
Not frost-proof

Dimensions: L68 / W50 / H68 CM  
Seat height: 44 CM / Seat depth: 37 CM  
Backrest height: 24 CM  
Weight capacity: 150 Kgs

Country of origin: CN  
Product weight: 17 Kgs

Packaging:  
Dimensions: L80 / W61 / H76 CM  
Total weight incl. product: 19 Kgs  
Number of parcels: 1  
Material: Brown cardboard

