

# 101

C O P E N H A G E N



## SCULPT ART VOID

The Sculpt Wall collection is a series of reliefs for hanging on the wall as pure artistic intentions.

The sculptural pieces pull their inspiration from brutalist architecture details, design history and concrete as a surface and material in American Minimalist art of the 1960s.

Each piece is handmade from a sustainable concrete-like material of recycled newspapers, sand, and chalk powder, combining artistic work with sustainable production methods.

The Sculpt Wall series are available in different shapes and sizes and can easily be hung on a wall with screws and brackets on the backside.

Designed by Kristian Sofus Hansen & Tommy Hyldahl.

Product no: 213006

Type: Wall Art - Indoor

Designer / Year of design:  
Kristian Sofus Hansen & Tommy Hyldahl, 2020

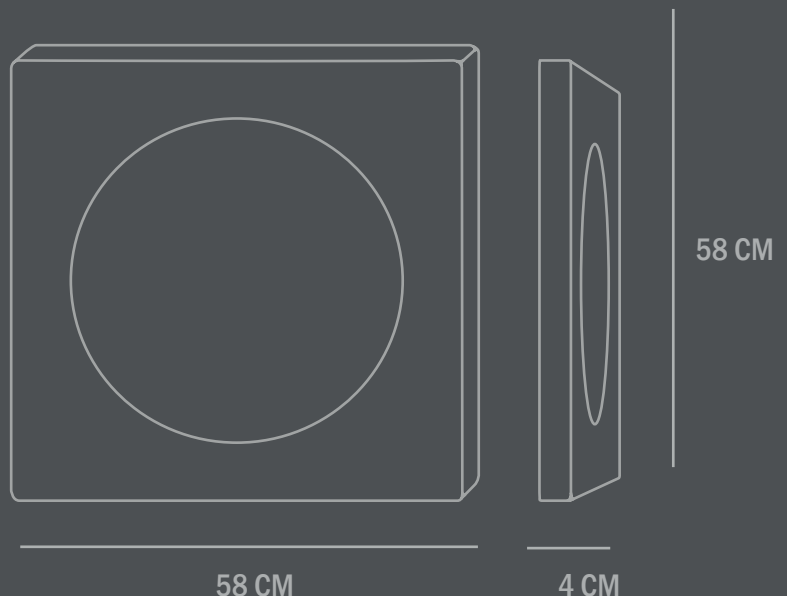
Colour: Coffee  
Material: Sustainable Paper Mass

Care instructions:  
Use a soft dry cloth to clean the product.  
Do not use household cleaners.

Dimensions: L58 / W4 / H58 CM  
Country of origin: IN

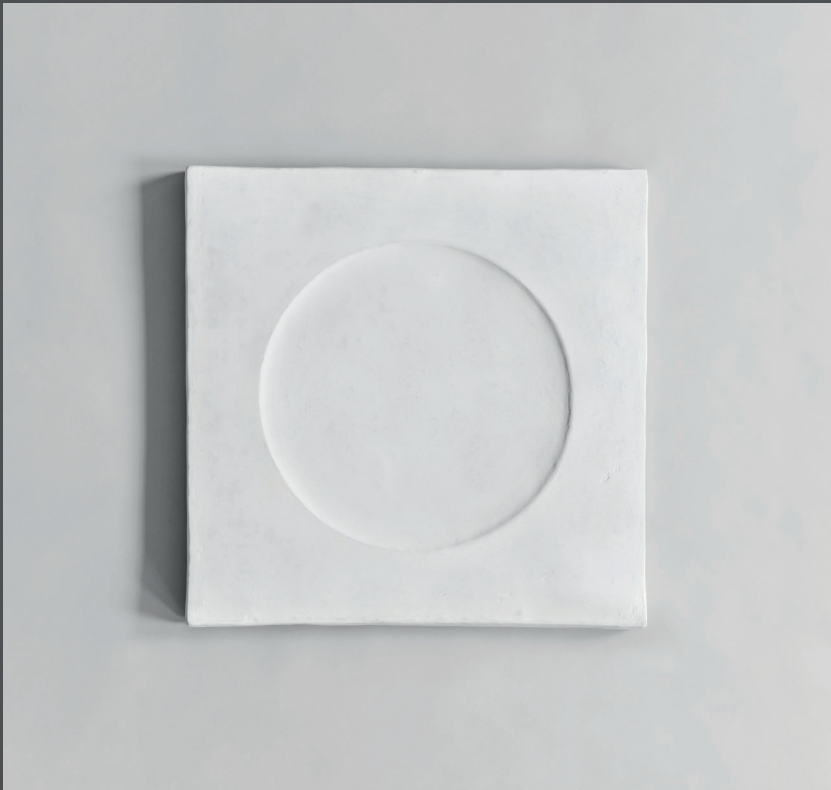
Product weight: 6,00 Kgs

Packaging:  
Dimensions: L70 / W73 / H13,5 CM  
Total weight incl. product: 8,00 Kgs  
Number of parcels: 1  
Material: Brown cardboard



# 101

C O P E N H A G E N



## SCULPT ART VOID

The Sculpt Wall collection is a series of reliefs for hanging on the wall as pure artistic intentions.

The sculptural pieces pull their inspiration from brutalist architecture details, design history and concrete as a surface and material in American Minimalist art of the 1960s.

Each piece is handmade from a sustainable concrete-like material of recycled newspapers, sand, and chalk powder, combining artistic work with sustainable production methods.

The Sculpt Wall series are available in different shapes and sizes and can easily be hung on a wall with screws and brackets on the backside.

Designed by Kristian Sofus Hansen & Tommy Hyldahl.

Product no: 213003

Type: Wall Art - Indoor

Designer / Year of design:  
Kristian Sofus Hansen & Tommy Hyldahl, 2020

Colour: Chalk White  
Material: Sustainable Paper Mass

Care instructions:  
Use a soft dry cloth to clean the product.  
Do not use household cleaners.

Dimensions: L58 / W4 / H58 CM

Country of origin: IN

Product weight: 6,00 Kgs

Packaging:  
Dimensions: L70 / W73 / H13,5 CM  
Total weight incl. product: 8,00 Kgs  
Number of parcels: 1  
Material: Brown cardboard

