

Opus Terra



Design: Walter Monici, 1986



Floor standing uplight with metal structure for indirect light with adjustable diffuser. The free length of the wire can be wound in a special housing in the base. Dimmer control on the cable.

Finishing

Standard

Special



Black soft touch
cod. 7001ST00



Matt white
cod. 7002OP00

All RAL coating and galvanic finishes available upon request

Light emission

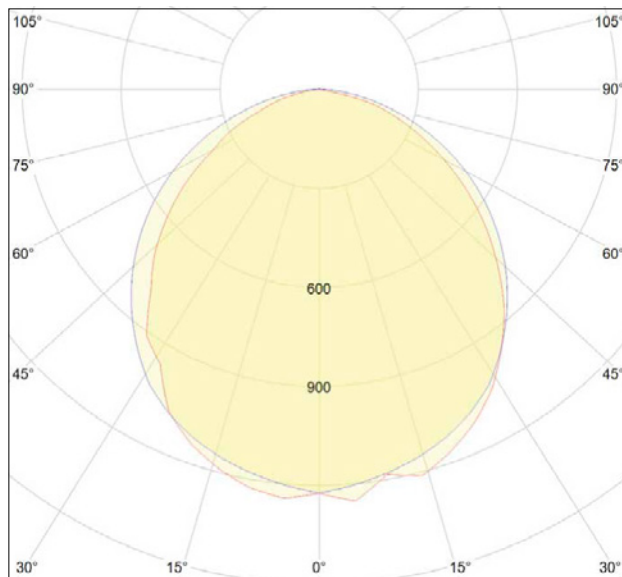
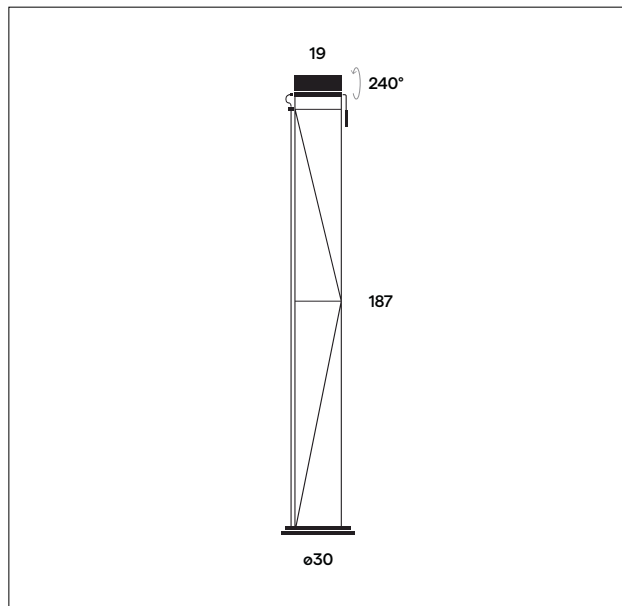
- Light emission: diffuse
- Light direction: uplight
- Light source: MAX 300W HAL – R7s
- Included bulb: 230W energy saver – R7s (only for 230V main voltage)

Electrical Facts

- Power absorption: MAX 300W
- Grid voltage: 100-240 V AC / 50-60 Hz
- Power supply: AC driven
- Dimmability: on-wire foot dimmer switch
- Energy class: C

Technical data

- Environment: indoor
- Placement: floor
- Net weight: 7,2 Kg
- Certifications: CE
- Suggested ambient T: 25°C
- Maximum ambient T: 40°C
- Insulation class: II
- Protection class: IP20



Packaging
cardboard box
194 x 33 x 15 (cm)
0,096 m³

Gross weight
9,6 Kg

Opus Parete



Design: Walter Monici, 1986



Wall lamp of metal with adjustable diffuser.

Finishing

Standard

Special



Black soft touch
cod. 7101ST00



Matt white
cod. 7102OP00

All RAL coating and galvanic finishes available upon request

Light emission

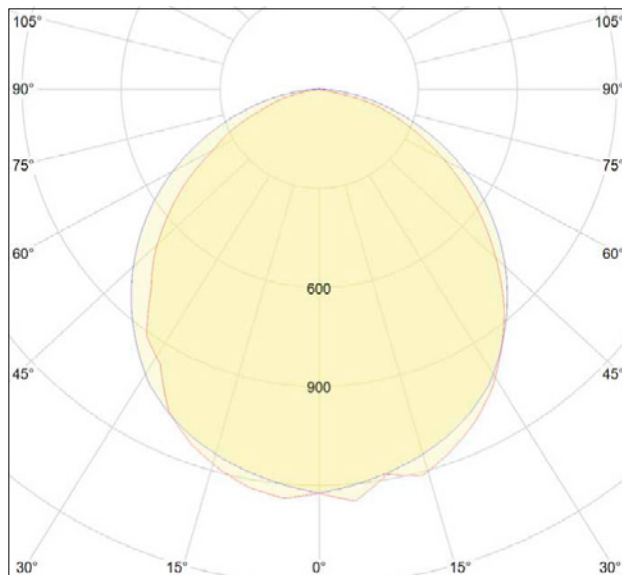
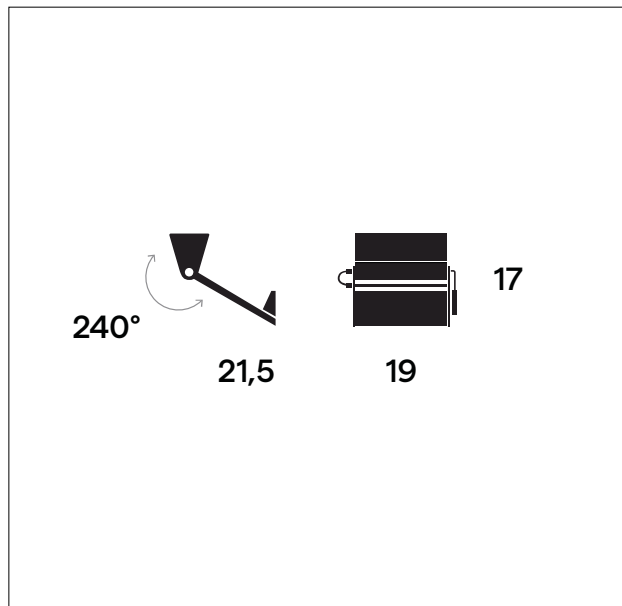
- Light emission: diffuse
- Light direction: upright
- Light source: MAX 300W HAL – R7s
- Included bulb: 230W energy saver – R7s (only for 230V main voltage)

Electrical Facts

- Power absorption: MAX 300W
- Grid voltage: 100-240 V AC / 50-60 Hz
- Power supply: AC driven
- Dimmability: dimmer compatible (according to installed bulb)
- Energy class: C

Technical data

- Environment: indoor
- Placement: wall
- Net weight: 1,2 Kg
- Certifications: CE
- Suggested ambient T: 25°C
- Maximum ambient T: 40°C
- Insulation class: I
- Protection class: IP20



Packaging
cardboard box
25 x 24 x 14 (cm)
0,008 m³

Gross weight
1,6 Kg