

# Tubone V

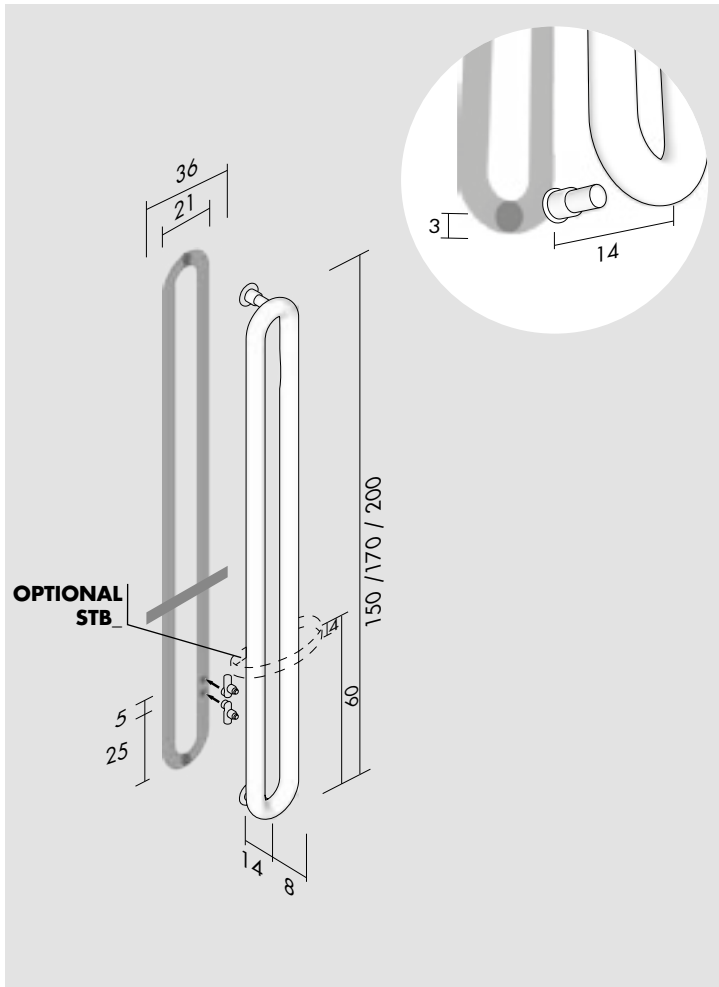
DESIGN ANDREA CROSETTA

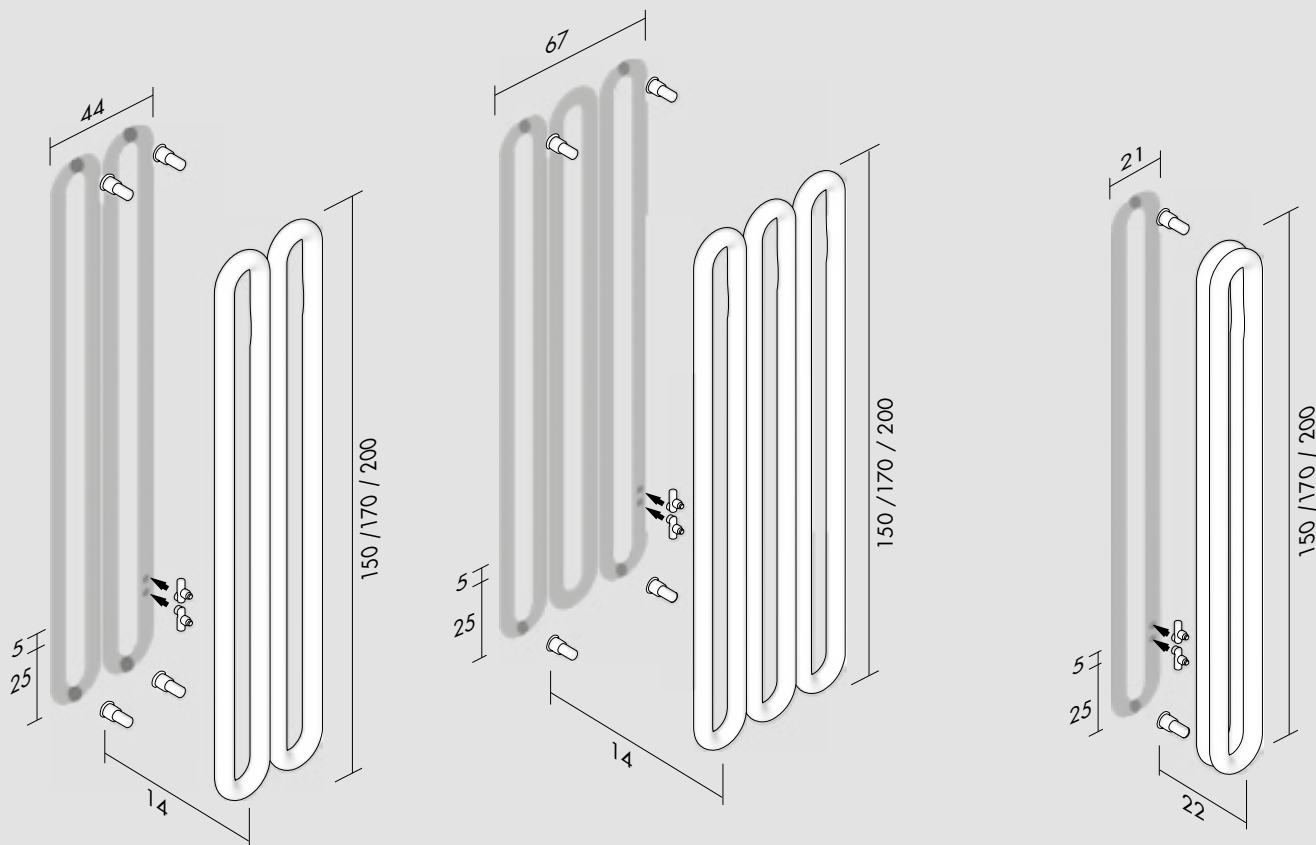


Kcal = Watt x 0.860  
 BTU = Watt x 3.413

Watt  $\Delta t$  60° = Watt  $\Delta t$  50° x 1.251  
 Watt  $\Delta t$  40° = Watt  $\Delta t$  50° x 0.760  
 Watt  $\Delta t$  30° = Watt  $\Delta t$  50° x 0.534  
 Watt  $\Delta t$  20° = Watt  $\Delta t$  50° x 0.325

p max = 6.5 bar





**Tubone Vertical / Verticale / Stehen / Vertical**

| H cm  | L cm | I* cm | art*               | Lt*  | watt $\Delta t$ 30° | watt $\Delta t$ 50° |
|-------|------|-------|--------------------|------|---------------------|---------------------|
| 150.0 | 21.0 | 5.0   | <b>TNVS150001_</b> | 7.0  | 173                 | <b>324</b>          |
| 150.0 | 44.0 | 5.0   | <b>TNVS150002_</b> | 14.0 | 346                 | <b>648</b>          |
| 150.0 | 67.0 | 5.0   | <b>TNVS150003_</b> | 21.0 | 519                 | <b>972</b>          |
| 170.0 | 21.0 | 5.0   | <b>TNVS170001_</b> | 7.9  | 196                 | <b>367</b>          |
| 170.0 | 44.0 | 5.0   | <b>TNVS170002_</b> | 15.9 | 392                 | <b>734</b>          |
| 170.0 | 67.0 | 5.0   | <b>TNVS170003_</b> | 23.8 | 588                 | <b>1 101</b>        |
| 200.0 | 21.0 | 5.0   | <b>TNVS200001_</b> | 9.3  | 231                 | <b>432</b>          |
| 200.0 | 44.0 | 5.0   | <b>TNVS200002_</b> | 18.7 | 461                 | <b>864</b>          |
| 200.0 | 67.0 | 5.0   | <b>TNVS200003_</b> | 28.0 | 692                 | <b>1 296</b>        |

**Vertical overlapped / Verticale superposé / Übereinander stehen / Vertical sobrepuesto**

| H cm  | L cm | I* cm | art*               | Lt*  | watt $\Delta t$ 30° | watt $\Delta t$ 50° |
|-------|------|-------|--------------------|------|---------------------|---------------------|
| 150.0 | 21.0 | 5.0   | <b>TNVD150001_</b> | 14.0 | 262                 | <b>491</b>          |
| 170.0 | 21.0 | 5.0   | <b>TNVD170001_</b> | 15.9 | 302                 | <b>565</b>          |
| 200.0 | 21.0 | 5.0   | <b>TNVD200001_</b> | 18.7 | 350                 | <b>655</b>          |

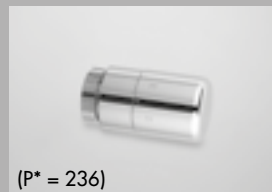
**Included**



"S" Valve  
Vanne "S"  
"S" Ventil  
Válvula "S"

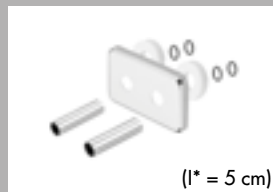
[BIAN] **E385B**  
[CROM] **E385R**

**Optional**



Thermostatic head  
Tête thermostatique  
Thermostatkopf  
Cabezal termostático

[BIAN] **TTB**  
[CROM] **TTR**



Sleeving kit  
Kit couvre tuyau  
Rosetten  
Kit cubre tubo

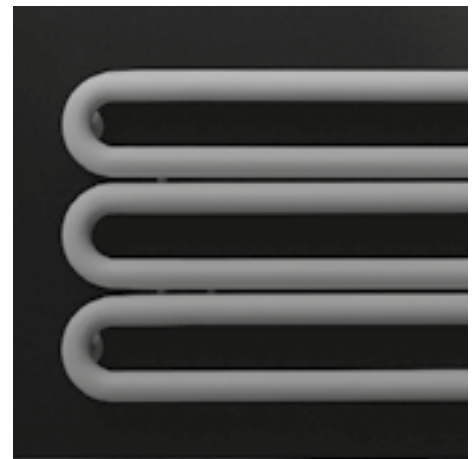
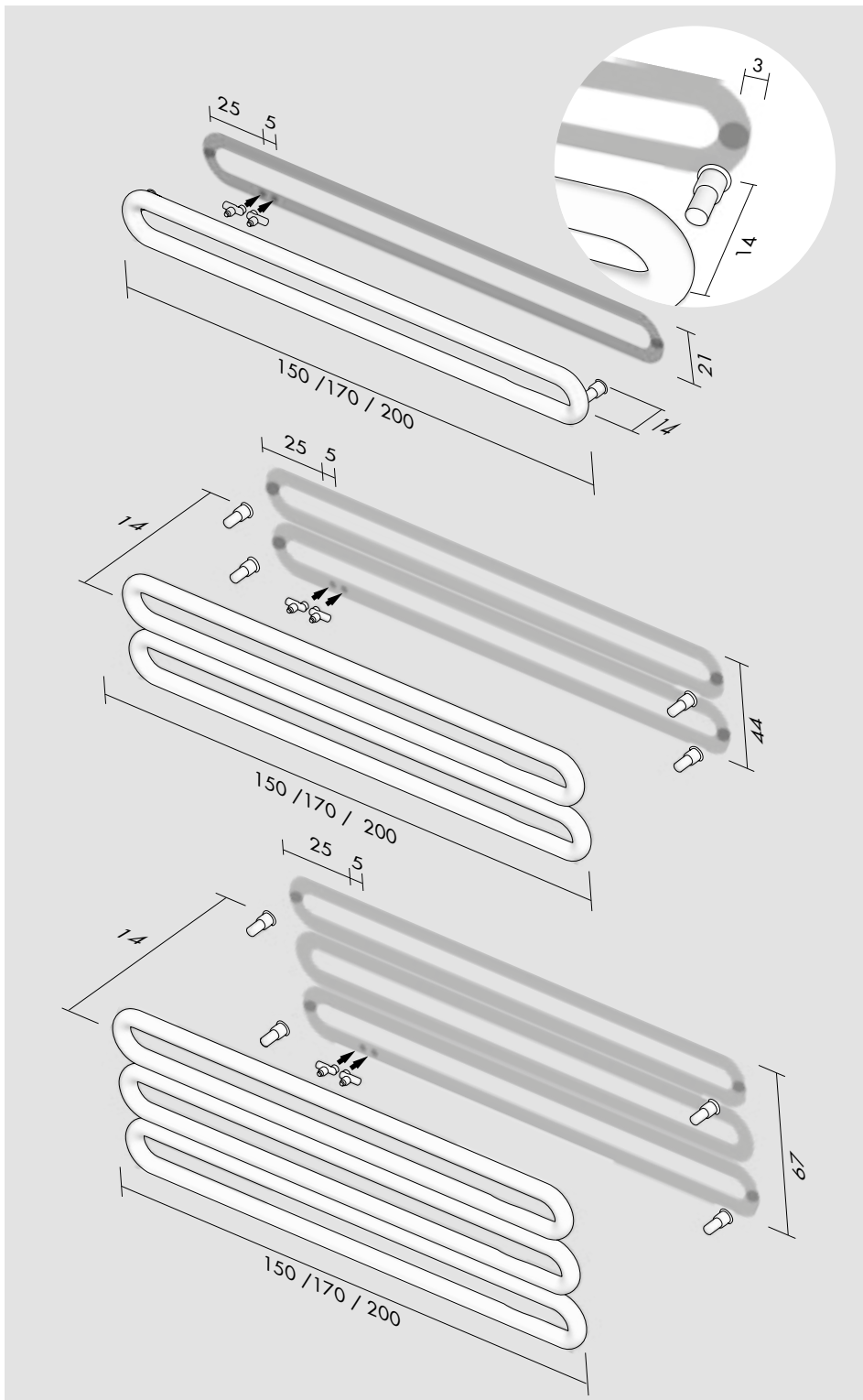
[BIAN] **C5B**  
[CROM] **C5R**



Towel bar  
Porte-serviettes  
Handtuchhalter  
Porta toallas

[CROM] **STBR**  
[COLOUR] **STBC**  
[GOLD] **STBG**

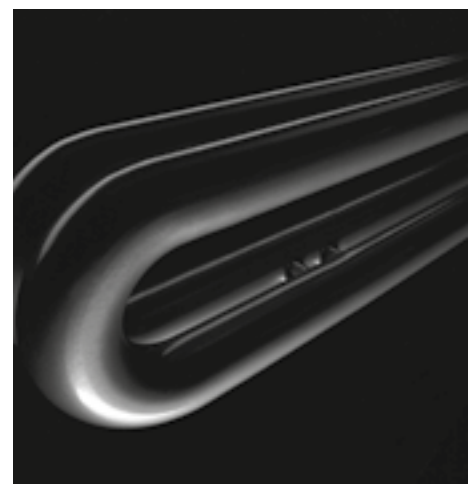
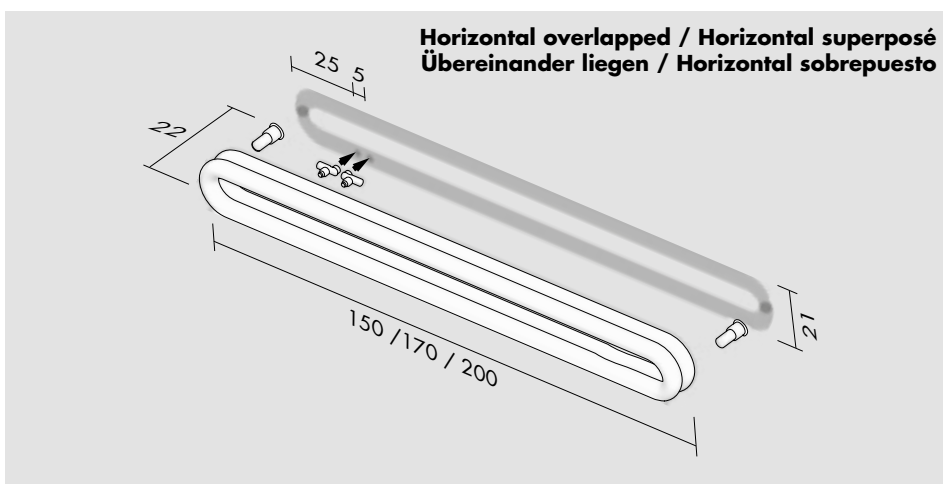
art\* = item / modèle / Artikel / artículo    I\* = pipe centres / distance entre depart et retour / Achsabstand / distancia entre las conexiones  
Lt\* = water content for each element / volume d'eau pour chaque element / Wassergehalt für Element / contenido de agua por cada elemento  
P\* = page / page / Seite / página



Kcal = Watt x 0.860  
 BTU = Watt x 3.413

Watt  $\Delta t$  60° = Watt  $\Delta t$  50° x 1.251  
 Watt  $\Delta t$  40° = Watt  $\Delta t$  50° x 0.760  
 Watt  $\Delta t$  30° = Watt  $\Delta t$  50° x 0.534  
 Watt  $\Delta t$  20° = Watt  $\Delta t$  50° x 0.325

p max = 6.5 bar

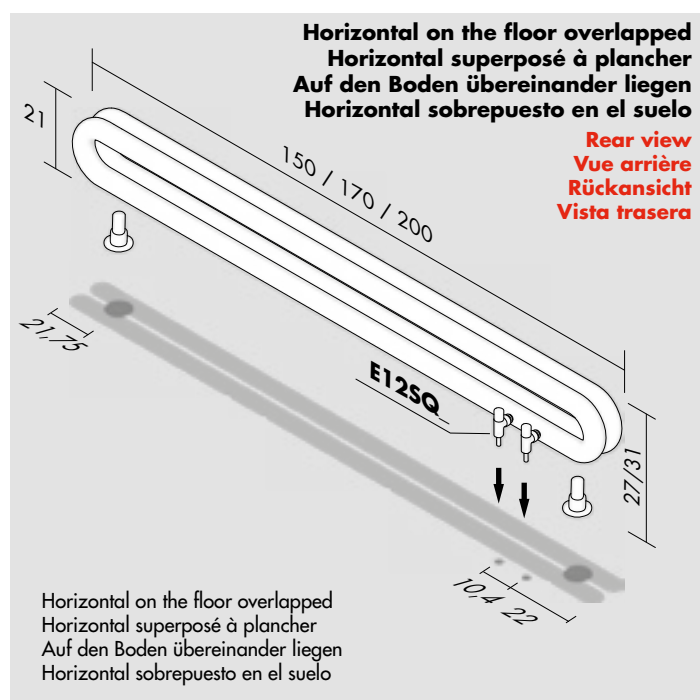


### Tubone Horizontal / Horizontal / Liegen / Horizontal

| H cm | L cm  | l* cm | art*               | Lt*  | watt $\Delta t$ 30° | watt $\Delta t$ 50° |
|------|-------|-------|--------------------|------|---------------------|---------------------|
| 21.0 | 150.0 | 5.0   | <b>TNOS150001_</b> | 7.0  | 194                 | <b>364</b>          |
| 44.0 | 150.0 | 5.0   | <b>TNOS150002_</b> | 14.0 | 389                 | <b>728</b>          |
| 67.0 | 150.0 | 5.0   | <b>TNOS150003_</b> | 21.0 | 583                 | <b>1 092</b>        |
| 21.0 | 170.0 | 5.0   | <b>TNOS170001_</b> | 7.9  | 220                 | <b>412</b>          |
| 44.0 | 170.0 | 5.0   | <b>TNOS170002_</b> | 15.9 | 441                 | <b>825</b>          |
| 67.0 | 170.0 | 5.0   | <b>TNOS170003_</b> | 23.8 | 661                 | <b>1 237</b>        |
| 21.0 | 200.0 | 5.0   | <b>TNOS200001_</b> | 9.3  | 259                 | <b>485</b>          |
| 44.0 | 200.0 | 5.0   | <b>TNOS200002_</b> | 18.7 | 519                 | <b>971</b>          |
| 67.0 | 200.0 | 5.0   | <b>TNOS200003_</b> | 28.0 | 778                 | <b>1 456</b>        |

### Horizontal overlapped / Horizontal superposé / Übereinander liegen / Horizontal sobrepuesto

| H cm | L cm  | l* cm | art*               | Lt*  | watt $\Delta t$ 30° | watt $\Delta t$ 50° |
|------|-------|-------|--------------------|------|---------------------|---------------------|
| 21.0 | 150.0 | 5.0   | <b>TNOD150001_</b> | 14.0 | 290                 | <b>543</b>          |
| 21.0 | 170.0 | 5.0   | <b>TNOD170001_</b> | 15.9 | 328                 | <b>615</b>          |
| 21.0 | 200.0 | 5.0   | <b>TNOD200001_</b> | 18.7 | 387                 | <b>724</b>          |



### Horizontal on the floor overlapped / Horizontal superposé à plancher / Auf den Boden übereinander liegen / Horizontal sobrepuesto en el suelo

| H cm  | L cm  | l* cm | art*               | Lt*  | watt $\Delta t$ 30° | watt $\Delta t$ 50° |
|-------|-------|-------|--------------------|------|---------------------|---------------------|
| 27/31 | 150.0 | 10.4  | <b>TNOP150001_</b> | 14.0 | 290                 | <b>543</b>          |
| 27/31 | 170.0 | 10.4  | <b>TNOP170001_</b> | 15.9 | 328                 | <b>615</b>          |
| 27/31 | 200.0 | 10.4  | <b>TNOP200001_</b> | 18.7 | 387                 | <b>724</b>          |

#### Included



(P\* = 235)

"S" Valve  
 Vanne "S"  
 "S" Ventil  
 Válvula "S"

[BIAN] **E385B**  
 [CROM] **E385R**



(P\* = 234)

Angled Valve  
 Vanne équerre  
 Eckausführung Ventil  
 Válvula a escuadra

[BIAN] **E12SQB**  
 [CROM] **E12SQR**

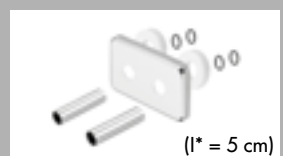
#### Optional



(P\* = 236)

Thermostatic head  
 Tête thermostatique  
 Thermostatkopf  
 Cabezal termostático

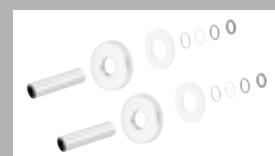
[BIAN] **TTB**  
 [CROM] **TTR**



(l\* = 5 cm)

Sleeving kit  
 Kit couvre tuyau  
 Rosetten  
 Kit cubre tubo

[BIAN] **C5B**  
 [CROM] **C5R**



$\varnothing \leq 16$  mm  
 [BIAN] **CTB**  
 [CROM] **CTR**

$16 \text{ mm} < \varnothing < 24$  mm  
 [BIAN] **CWB**  
 [CROM] **CWR**

**art\*** = item / modèle / Artikel / artículo    **l\*** = pipe centres / distance entre depart et retour / Achsabstand / distancia entre las conexiones  
**Lt\*** = water content for each element / volume d'eau pour chaque element / Wassergehalt für Element / contenido de agua por cada elemento  
**P\*** = page / page / Seite / página