



OFFSET VASE BIG

Like a design process frozen in time, the Offset vase is a distortion of the familiar rounded shape being cut. It challenges the idea of a vase and drastically changes appearance depending on the angles it is viewed from: From an imitation of a traditional vase to a sculptural object.

Offset is made from fiber concrete and comes in two sizes. As it is a hand glazed natural product, the colours may vary slightly and as it is not 100% waterproof, a bag for fresh flowers is included.

Designed by Nicolaj Nøddesbo & Tommy Hyldahl.

Product no: 211016

Type: Vase - Indoor / Outdoor (Not frost-proof)

Designer / Year of design:

Nicolaj Nøddesbo & Tommy Hyldahl, 2017

Colour: Coffee

Material: Fiber Concrete

Care instructions:

Use a soft dry cloth to clean the product.

Do not use household cleaners.

Not waterproof

Dimensions: L60 / W40 / H48 CM

Country of origin: CN

Product weight: 19,00 Kgs

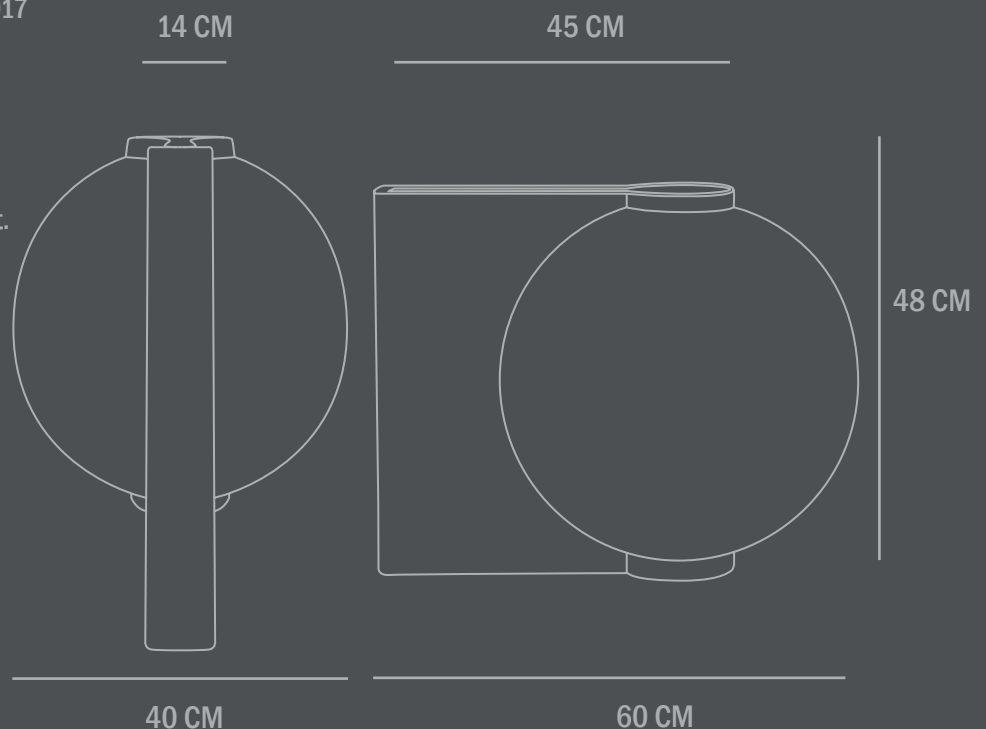
Packaging:

Dimensions: L69 / W48 / H61 CM

Total weight incl. product: 25,00 Kgs

Number of parcels: 1

Material: Brown cardboard



101

C O P E N H A G E N



OFFSET VASE BIG

Like a design process frozen in time, the Offset vase is a distortion of the familiar rounded shape being cut. It challenges the idea of a vase and drastically changes appearance depending on the angles it is viewed from: From an imitation of a traditional vase to a sculptural object.

Offset is made from fiber concrete and comes in two sizes. As it is a hand glazed natural product, the colours may vary slightly and as it is not 100% waterproof, a bag for fresh flowers is included.

Designed by Nicolaj Nøddesbo & Tommy Hyldahl.

Product no: 111213

Type: Vase - Indoor / Outdoor (Not frost-proof)

Designer / Year of design:

Nicolaj Nøddesbo & Tommy Hyldahl, 2017

Colour: Dark Grey

Material: Fiber Concrete

Care instructions:

Use a soft dry cloth to clean the product.

Do not use household cleaners.

Not waterproof

Dimensions: L60 / W40 / H48 CM

Country of origin: CN

Product weight: 19,00 Kgs

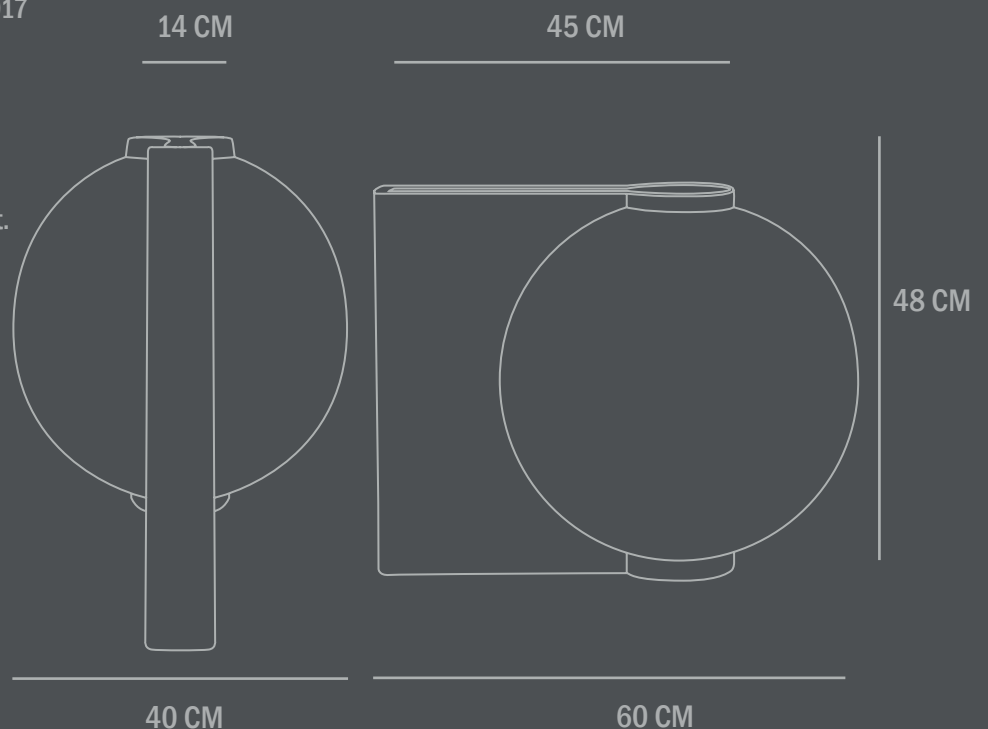
Packaging:

Dimensions: L69 / W48 / H61 CM

Total weight incl. product: 25,00 Kgs

Number of parcels: 1

Material: Brown cardboard





OFFSET VASE MINI

Like a design process frozen in time, the Offset vase is a distortion of the familiar rounded shape being cut. It challenges the idea of a vase and drastically changes appearance depending on the angles it is viewed from: From an imitation of a traditional vase to a sculptural object.

Offset is made from fiber concrete and comes in two sizes. As it is a hand glazed natural product, the colours may vary slightly and as it is not 100% waterproof, a bag for fresh flowers is included.

Designed by Nicolaj Nøddesbo & Tommy Hyldahl.

Product no: 211017

Type: Vase - Indoor / Outdoor (Not frost-proof)

Designer / Year of design:
Nicolaj Nøddesbo & Tommy Hyldahl, 2017

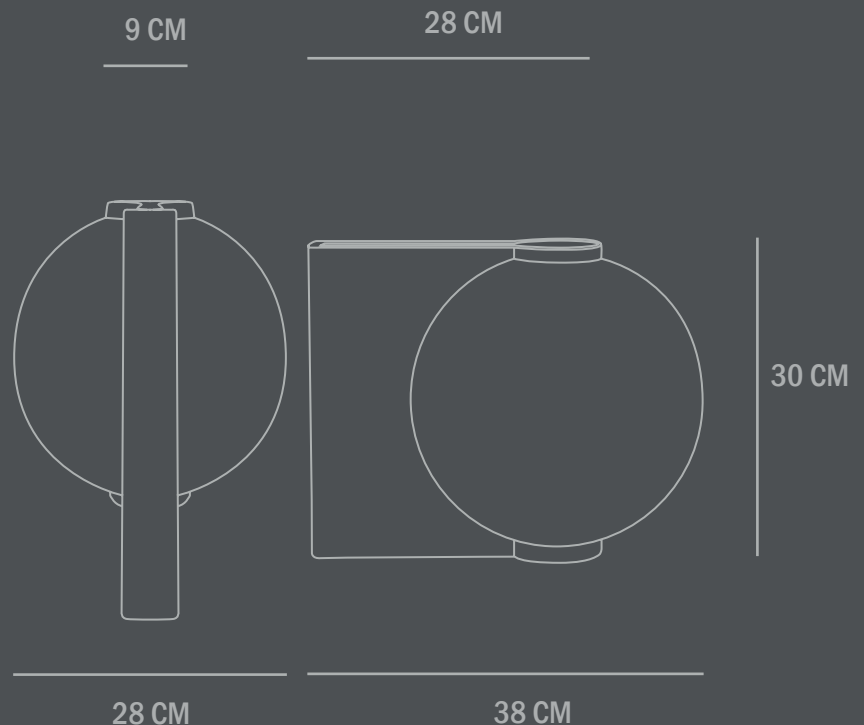
Colour: Coffee
Material: Fiber Concrete

Care instructions:
Use a soft dry cloth to clean the product.
Do not use household cleaners.
Not waterproof

Dimensions: L38 / W28 / H30 CM
Country of origin: CN

Product weight: 7,70 Kgs

Packaging:
Dimensions: L42 / W30 / H42 CM
Total weight incl. product: 9,00 Kgs
Number of parcels: 1
Material: Brown cardboard



101

C O P E N H A G E N



OFFSET VASE MINI

Like a design process frozen in time, the Offset vase is a distortion of the familiar rounded shape being cut. It challenges the idea of a vase and drastically changes appearance depending on the angles it is viewed from: From an imitation of a traditional vase to a sculptural object.

Offset is made from fiber concrete and comes in two sizes. As it is a hand glazed natural product, the colours may vary slightly and as it is not 100% waterproof, a bag for fresh flowers is included.

Designed by Nicolaj Nøddesbo & Tommy Hyldahl.

Product no: 111214

Type: Vase - Indoor / Outdoor (Not frost-proof)

Designer / Year of design:
Nicolaj Nøddesbo & Tommy Hyldahl, 2017

Colour: Dark Grey
Material: Fiber Concrete

Care instructions:
Use a soft dry cloth to clean the product.
Do not use household cleaners.
Not waterproof

Dimensions: L38 / W28 / H30 CM
Country of origin: CN

Product weight: 7,70 Kgs

Packaging:
Dimensions: L42 / W30 / H42 CM
Total weight incl. product: 9,00 Kgs
Number of parcels: 1
Material: Brown cardboard

