



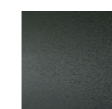
## FLOYD-HI

design Piero Lissoni

Linear sofa or elliptical elements with backrest and armrests structure in multilayer poplar wood and double-panelled fir-wood, padded in differentiated density polyurethane foam, and covering in needle punched, resinated, non-woven polyester fiber, bonded onto a polyamide velveteen backing. Steel seat chassis, with epoxy powder coating, sprung with coated rubber elastic straps, padded in polyurethane foam covered in 100% polyether thermally bonded onto a polyamide velveteen backing.

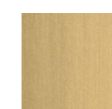
Backrest and armrest cushion in prewashed and sterilized goose down, stitched into separate compartments, with polyurethane foam insert. Seat cushion in differentiated density polyurethane foam and Visco-soft insert, covered with acrylic fibre layers. Bracket in laser-cut steel sheet, lacquered with epoxy powder coating gunmetal grey colour with a brass foot satinized and finished with a transparent matt varnish. Floor support secured by black PVC feet. Fabric or leather upholstery, both fully removable by zippers and Velcro fastenings. Seat depth: Sofa 68cm; Elliptical Element 98cm.

### Bracket



Steel with  
Gunmetal Grey  
Coating

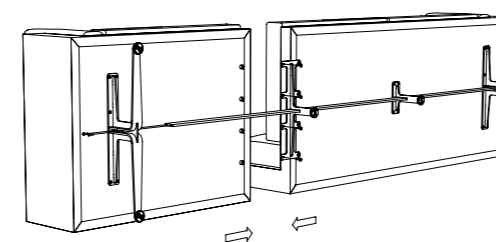
### Disk



Matt Brass

### Notes

For dimensions cm. 286/330, on request the sofa can be supplied in two parts (always as shown in the drawing below).

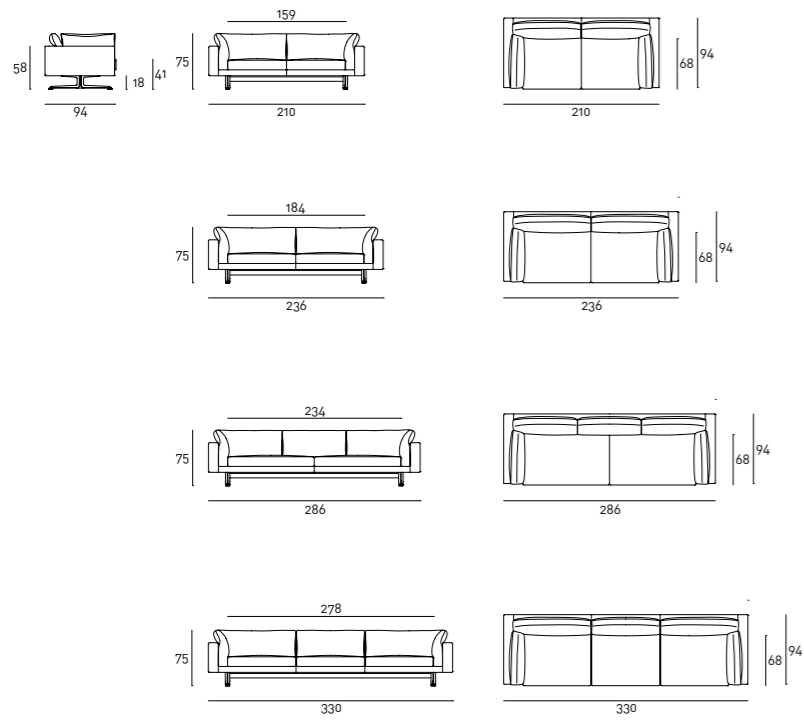


For 286cm sofas divided in two parts, the backrest cushions are 2 instead of 3 as standard.

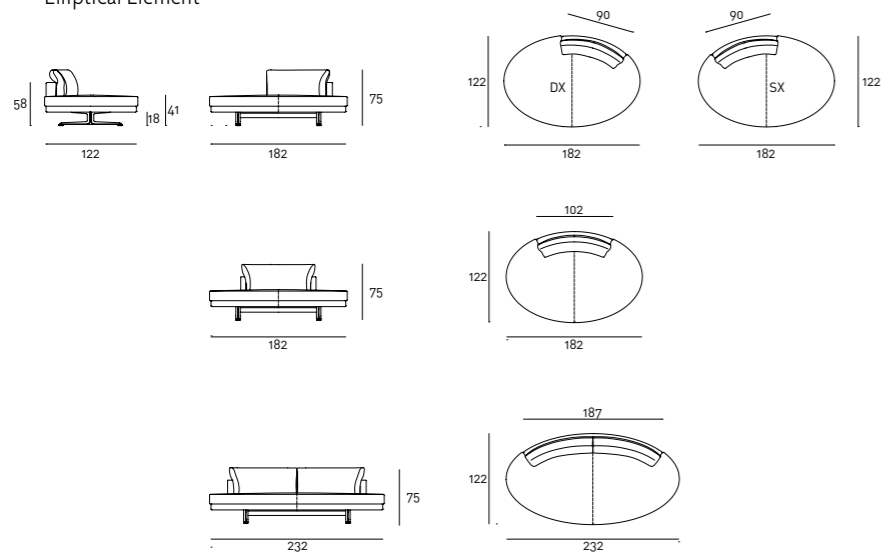
For the elliptical elements (FLHE182C, FLHE182 and FLHE232), the central seam can be avoided with plain fabrics, without direction and with a height of at least 140 cm.

Technical Drawings

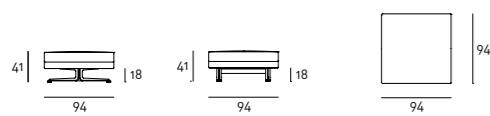
Sofa



Elliptical Element



Footrest



Loose Cushion

